

PNEUDRI MX

Product Selection

	Model	Pipe Size	Flowrates			
			L/s	m ³ /min	m ³ /hr	cfm
Single Bank	MX □ 102C	G 2	113	6.81	408	240
	MX □ 103C	G 2	170	10.22	612	360
	MX □ 103	G 2	213	12.78	765	450
	MX □ 104	G 2	283	17.03	1020	600
	MX □ 105	G 2½	354	21	1275	750
	MX □ 106	G 2½	425	26	1530	900
	MX □ 107	G 2½	496	30	1785	1050
	MX □ 108	G 2½	567	34	2040	1200
Multi-Bank	2 x MX □ 105	G 2½	708	43	2550	1500
	2 x MX □ 106	G 2½	850	51	3060	1800
	2 x MX □ 107	G 2½	992	60	3570	2100
	2 x MX □ 108	G 2½	1133	68	4080	2400
	3 x MX □ 106	G 2½	1275	77	4590	2700
	3 x MX □ 107	G 2½	1488	89	5355	3150
	3 x MX □ 108	G 2½	1700	102	6120	3600



Stated flows are for operation at 7 bar g (100 psi g) with reference to 20°C, 1 bar a, 0% relative water vapour pressure. For flows at other pressures apply the correction factors shown.

Dryer Performance

Dryer Models	Dewpoint (Standard)		ISO8573-1:2010 Classification (standard)	Dewpoint (Option 1)		ISO8573-1:2010 Classification (Option 1)	Dewpoint (Option 2)		ISO8573-1:2010 Classification (Option 2)
	°C	°F		°C	°F		°C	°F	
MX □	-40	-40	Class 2	-70	-100	Class 1	-20	-4	Class 3
MXP*	-40	-40	Class 2	-70	-100	Class 1	-20	-4	Class 3

Technical Data

Dryer Models	Min Operating Pressure		Max Operating Pressure		Min Operating Temp		Max Operating Temp		Max Ambient Temp		Electrical supply (standard)	Electrical supply (optional)	Thread Connections	Noise Level dB (A)
	bar g	psi g	bar g	psi g	°C	°F	°C	°F	°C	°F				
MXS	4	58	13	190	2	35	50	122	55	131	85 - 265 V 1ph 50/60Hz	N/A	BSPP or NPT	<75
MXA	4	58	13	190	2	35	50	122	55	131	85 - 265 V 1ph 50/60Hz	N/A	BSPP or NPT	<75
MXP*	4	58	13	190	2	35	50	122	55	131	N/A	N/A	BSPP or NPT	<75

Controller Options

Controller Options	Function								
	Power on Indication	Fault Indication	Display Fault Condition Values	Service Interval Indication	Service Countdown Timers	Configurable Alarm Settings	Remote Volt Free Alarm Contacts	Filter Service Timer	DDS Energy Management System
SMART	•	•		•			•		
SMART DDS	•	•		•			•		•
ADVANCED	•	•	•	•	•	•	•	•	•

***ATEX compliant option available.**

For hazardous environments, a fully pneumatic ATEX compliant version of PNEUDRI is available.

ATEX Directive 94/9/EC
Group II, Category 2GD, T6.

Correction Factors

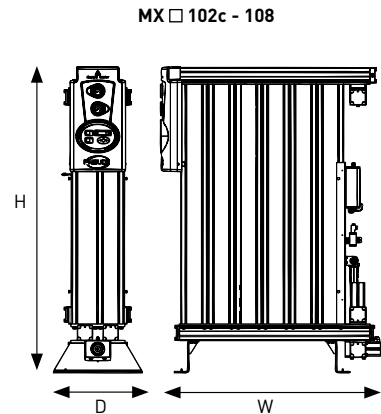
Temperature Correction Factor CFT							
Maximum Inlet Temperature	°C	25	30	35	40	45	50
	°F	77	86	95	104	113	122
	CFT	1.00	1.00	1.00	1.04	1.14	1.37

Pressure Correction Factor CFP											
Minimum Inlet Pressure	bar g	4	5	6	7	8	9	10	11	12	13
	psi g	58	73	87	100	116	131	145	160	174	189
	CFP	1.60	1.33	1.14	1.00	0.89	0.80	0.73	0.67	0.62	0.57

Dewpoint Correction Factor CFD		Option 2	Standard	Option 1
Required Dewpoint	PDP °C	-20	-40	-70
	PDP °F	-4	-40	-100
	CFD	0.91	1.00	1.43

Weights and Dimensions

Model	Pipe Size	Dimensions						Weight	
		Height (H)		Width (W)		Depth (D)		kg	lbs
		mm	ins	mm	ins	mm	ins		
MX □ 102C	G 2	1647	64.8	687	27.0	550	21.7	235	518
MX □ 103C	G 2	1647	64.8	856	33.7	550	21.7	316	696
MX □ 103	G 2	1892	74.5	856	33.7	550	21.7	355	782
MX □ 104	G 2	1892	74.5	1025	40.3	550	21.7	450	992
MX □ 105	G 2½	1892	74.5	1194	47.0	550	21.7	543	1197
MX □ 106	G 2½	1892	74.5	1363	53.6	550	21.7	637	1404
MX □ 107	G 2½	1892	74.5	1532	60.3	550	21.7	731	1611
MX □ 108	G 2½	1892	74.5	1701	67.0	550	21.7	825	1818

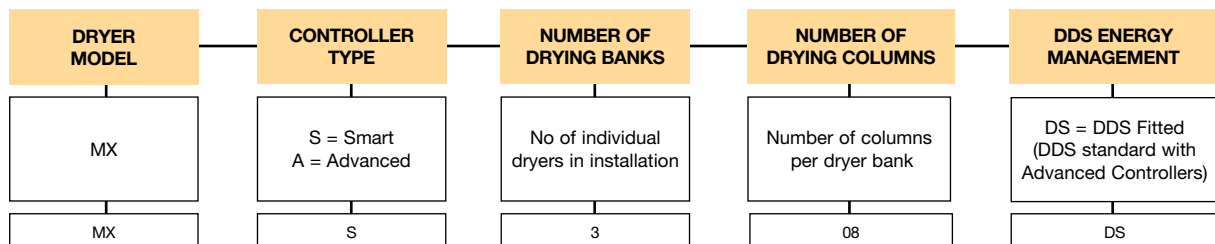


Recommended Filtration

For Dryer Model	Filter Pipe Size BSPT or NPT	Inlet General Purpose Pre-filter	Inlet High Efficiency Filter	Outlet Dust Filter
MX □ 102C	2"	AO040H □ FX	AA040H □ FX	AR040H □ MX
MX □ 103C	2"	AO040H □ FX	AA040H □ FX	AR040H □ MX
MX □ 103	2"	AO045H □ FX	AA045H □ FX	AR045H □ MX
MX □ 104	2"	AO045H □ FX	AA045H □ FX	AR045H □ MX
MX □ 105	2½"	AO050I □ FX	AA050I □ FX	AR050I □ MX
MX □ 106	2½"	AO055I □ FX	AA055I □ FX	AR055I □ MX
MX □ 107	2½"	AO055I □ FX	AA055I □ FX	AR055I □ MX
MX □ 108	2½"	AO055I □ FX	AA055I □ FX	AR055I □ MX

□ = B (BSPT) or N (NPT)

Dryer Coding Example



Example: PNEUDRI model MXS308DS