

# Hygienic Right Angle Valve 6010

SCHUBERT & SALZER  
**CONTROL  
SYSTEMS**

DN 15 up to DN 40      PN 16  
for applications in food processing

**Pneumatically operated Hygienic right angle valve for applications in food processing and chemical**

- Compact design
- Body made from stainless steel barstock
- Versatile actuators options
- For temperatures from -20°C up to 140°C (optional up to +200°C)
- Working pressure up to 16 bar

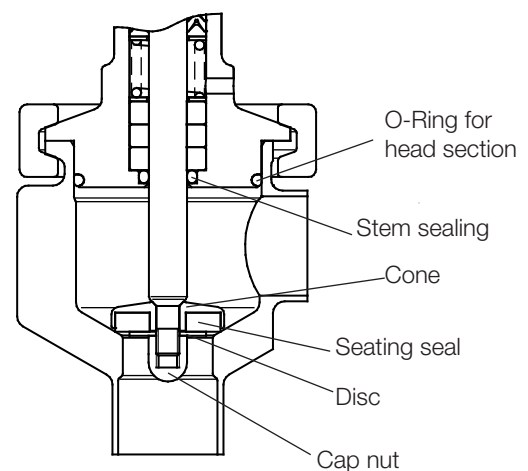
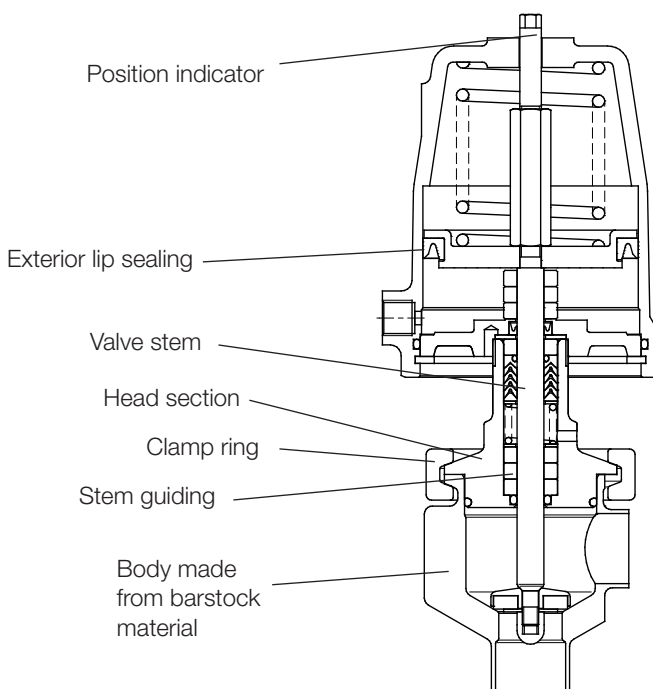


 **TÜVRheinland®**  
TA-Luft zertifiziert

## Options

e.g.:

- limit switches
  - inductive proximity switch
  - electrical switch
- pilot valves
- manual override



**soft sealing**

## Technical Information

Body material	Stainless steel 1.4404	
Nominal sizes	DN 15, DN 25, DN 40 (DN20 in inch)	
Connections	Welding ends acc. DIN 11850 series 2 Welding ends acc. ISO Welding ends acc. inch Tri-clamp acc. inch	
Nominal pressure	PN 16	
Seating seal	soft seat	
Fluid temperature	-20°C up to +140°C (optional up to +200°C)	
Ambient temperature	-20°C up to +80 °C	
Surface finish	inside	machined, Ra < 0,8 µm polished, Ra < 0,6 µm

## Pilot- and Operating pressure

normally closed, closing against the flow

Nominal size	max. Operating pressure stainless steel bar	Pilot Pressure bar	Piston mm	Springs
DN15	8	3,5 - 10	50	1
DN15	15	4,5 - 10	50	2
DN15	16	3,5 - 10	80	1
DN20	8	3,5 - 10	50	1
DN20	16	4,5 - 10	50	2
DN20	16	3,5 - 10	80	1
DN25	14	3,5 - 10	80	1
DN25	16	4,4 - 10	80	2
DN25	12	1,3 - 10	125	1
DN25	16	2,2 - 10	125	2
DN40	5	3,5 - 10	80	1
DN40	8	4,4 - 10	80	2
DN40	12	5,6 - 10	80	3
DN40	4	1,3 - 10	125	1
DN40	11	2,2 - 10	125	2
DN40	16	3,1 - 10	125	3

Standard

# Hygienic Right Angle Valve 6010

## Materials

Valve Body	Stainless steel 1.4404
Actuator	Stainless steel 1.4408 (optional plastic)
Actuator springs	Stainless steel 1.4310
Valve stem	Stainless steel 1.4571, roller burnished
Cone	Stainless steel 1.4404
Cap nut	Stainless steel 1.4571
Disc	Stainless steel 1.4571
Clamp-connection	Stainless steel 1.4308
Body sealing	EPDM (O-ring) (optional silicon, fluoraz)
Seating seal	soft seat: PTFE flat sealing
Position indicator	Polyamid

## Ordering Number System

1	2	3	4	5	6	7	8	9	10	11
6	0	1	0	/	V					S
Type				Size						
						Symbol: "V": Valve "A": Actuator (valve without body) "R": Repair kit (sealings)				

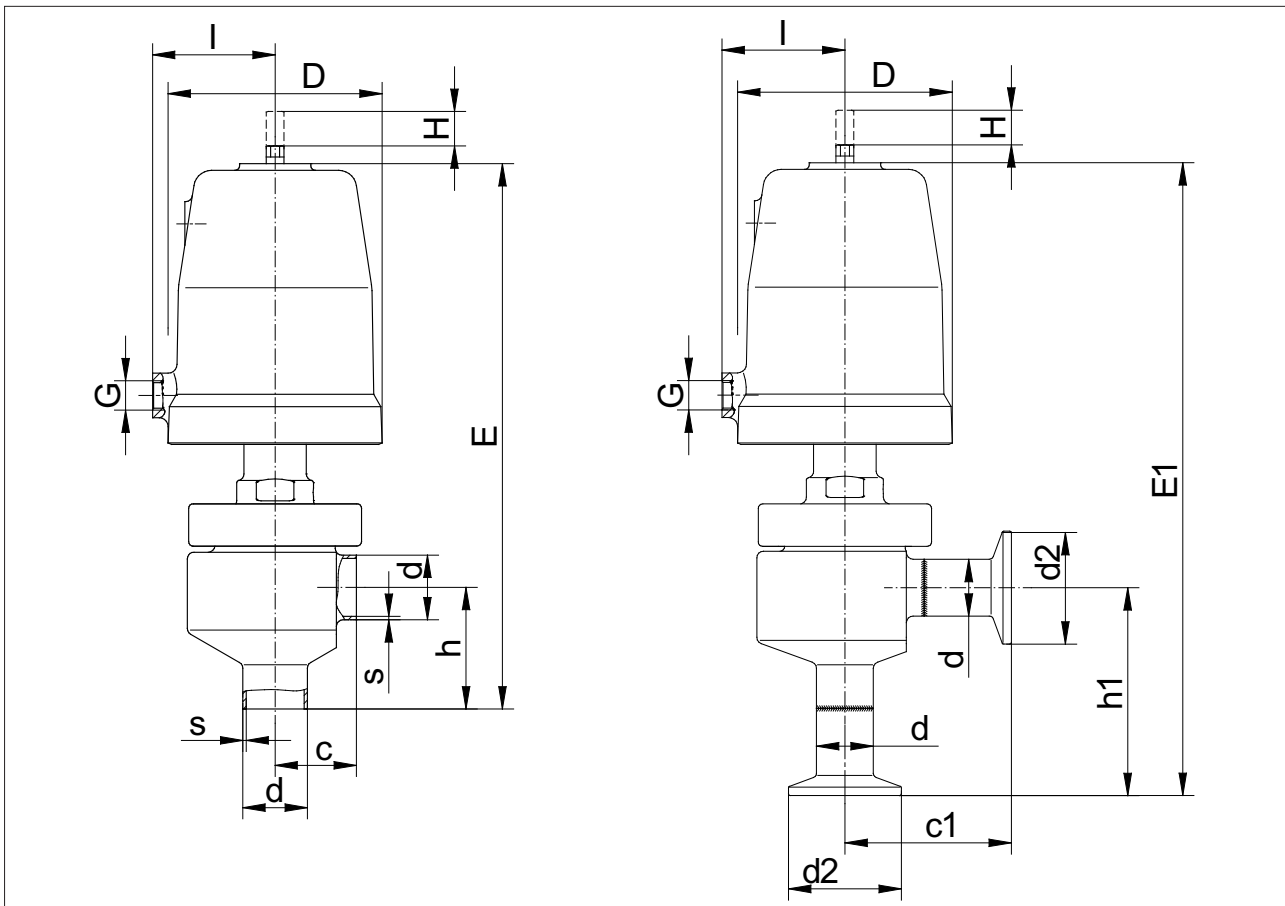
1 - 6 : Please quote all 6 sections.  
7 - 10: Quote only if required.

1. Design	2. Connections	3. Body material	4. Seating seal	5. Pilot function	6. Actuator
0 hygiene right angle valve	D welding ends acc. DIN 11850, series 2 I welding ends acc. ISO E welding ends acc. inch Z Tri-clamp acc. inch	2 stainless steel 1.4404	0 soft seat (PTFE)	2 NC (closing against flow)	0 piston Ø50mm (stainless steel bonnet) 1 piston Ø80mm (stainless steel bonnet) 2 piston Ø125mm (stainless steel bonnet) K piston Ø50mm (plastic bonnet) M piston Ø80mm (plastic bonnet)

7. Springs	8. Stem sealing	9. Accessories	10. Special versions
- standard 1 1 spring 2 2 springs 3 3 springs	- standard EPDM (FDA) 1 silicon (FDA) 2 fluoraz 200°C (FDA)	- without	S Quote for further special versions

Ordering Example: 6010/015V0D2021  
Hygiene right angle valve Type 6010, DN 15, Welding ends acc. DIN 11850, body material stainless steel 1.4404, soft seat (PTFE) , spring to close - closing with the flow, actuator 80 mm, standard springs

## Dimensions and Weights



DN	Piston Ø	D	G	DIN DIN 11850 series 2				ISO DIN 2463 series 1				Inch				I	H stroke	E	Kvs value	weight (~kg)
				d	s	h	c	d	s	h	c	d	s	h	c					
15	50	62	1/8"	19	1,5	42	27,5	21,3	1,6	41	27,5	12,7	1,65	42	27,5	34,5	12	189	5,5	2,0
15	80	96	1/4"	19	1,5	42	27,5	21,3	1,6	41	27,5	12,7	1,65	42	27,5	55	16	228	5,5	3,5
20	50	92	1/8"	-	-	-	-	-	-	-	-	19,05	1,65	42	27,5	34,5	12	189	5,5	2,0
20	80	96	1/4"	-	-	-	-	-	-	-	-	19,05	1,65	42	27,5	55	16	228	5,5	3,5
25	80	96	1/4"	29	1,5	54,5	35,5	33,7	2	52	35,5	25,4	1,65	54	35,5	55	16	245	18,5	4,0
25	125	146	1/4"	29	1,5	54,5	35,5	33,7	2	52	35,5	25,4	1,65	54	35,5	80	16	269	18,5	6,7
40	80	96	1/4"	41	1,5	62,5	48	48,3	2	59	48	38,1	1,65	62,5	48	55	16	259	38	5,3
40	125	146	1/4"	41	1,5	62,5	48	48,3	2	59	48	38,1	1,65	62,5	48	80	16	283	38	8,0

DN	Piston Ø	D	G	Tri-Clamp			acc. h1	E1	H stroke	I
				d	d2	c1				
15	50	62	1/8"	12,7	25	56	70,5	217	12	34,5
15	80	96	1/4"	12,7	25	56	70,5	256	16	55
20	50	62	1/8"	19,05	25	56	70,5	217	12	34,5
20	80	96	1/4"	19,05	25	56	70,5	256	16	55
25	80	96	1/4"	25,4	50,5	74,5	93	284	16	55
25	125	146	1/4"	25,4	50,5	74,5	93	308	16	80
40	80	96	1/4"	38,1	50,5	87	101,5	298	16	55
40	125	146	1/4"	38,1	50,5	87	101,5	322	16	80

Dimensions in mm

Text and pictures are not binding. We reserve the right, to alter the equipment.