

Hygiene Right Angle Control Valve 6020 SCHUBERT & SALZER

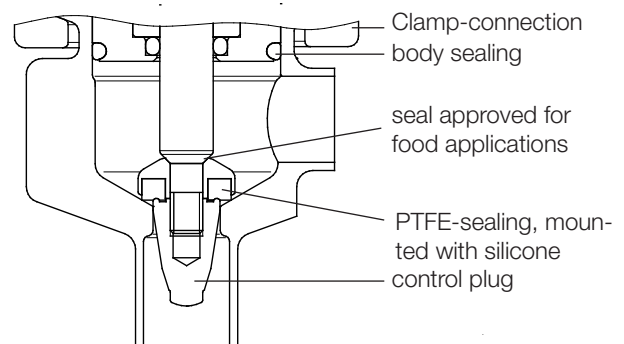
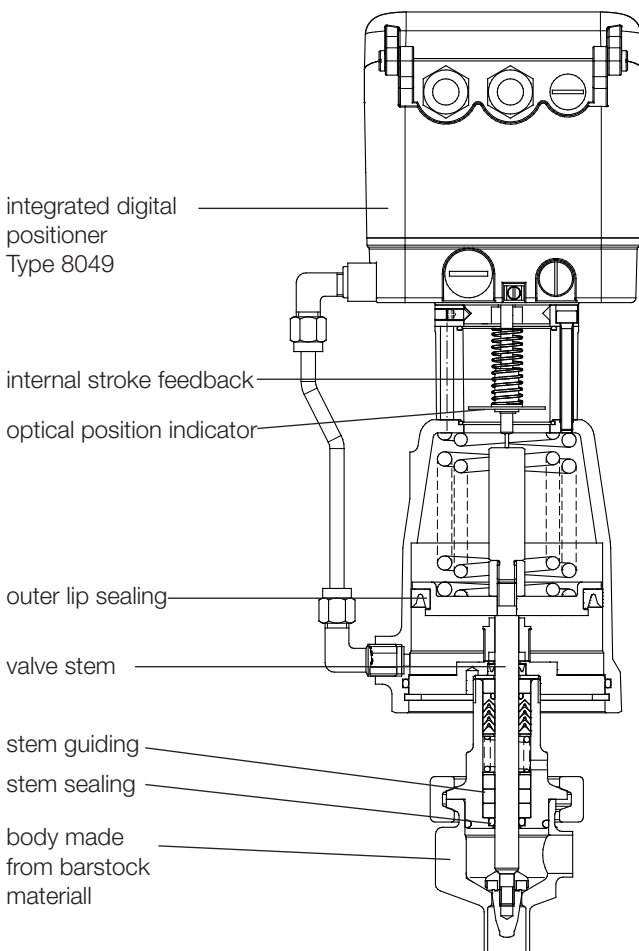
DN 15 up to DN 40

with integrated digital positioner for applications in food processing (Type 8047, 8049)



Pneumatic control valve with right angle body design and integrated positioner for applications in food processing and chemical.

- Space saving, low weight design
- Body made from stainless steel barstock
- Positioner housing in stainless steel options
- Soft seat options
- Zero steady-state air consumption
- Not sensitive to vibration
- Software configurable flow characteristics



soft sealing

Hygiene Right Angle Control Valve 6020

with integrated positioner



Technical Information Valve

Body material	Stainless steel 1.4404
Nominal sizes	DN 15, DN 25, DN 40 (DN20 in inch)
Connections	Welding ends DIN 11850 series 2 Welding ends acc. ISO Welding ends acc. Inch Tri-clamp acc. Inch
Nominal pressure	PN 16
Seating seal	soft seat
Fluid temperature	-20°C up to +140°C (optional up to +200°C)
Rangeability	50:1
Surface finish inside	precision turned Ra < 0,8 µm polished, Ra < 0,6 µm machined or electro polished Ra < 0,4 µm electro polished, Ra < 0,25 µm

Positioner

For technical information of our positioners please refer to the corresponding data sheets.

Materials

Valve body	Stainless steel 1.4404
Actuator	Stainless steel 1.4408
Diaphragm actuator	Stainless steel 1.4301
Actuator springs	Stainless steel 1.4310
Valve stem	Stainless steel 1.4404, roller burnished
Disc	Stainless steel 1.4404
Control plug	Stainless steel 1.4404
Clamp-connection	Stainless steel 1.4308
Body sealing	EPDM (O-ring) (optional: silicon, fluoraz)
Seating seal	soft seat: PTFE flat sealing
Stem sealing	EPDM (O-ring) (optional: silicon, fluoraz)
Body positioner	Type 8047: p/p-positioner = chrome plated brass i/p-positioner = chrome plated brass, plastic Type 8049: Aluminium-pressure casting KTL-coated, plastic (optional: stainless steel 1.4305)
Body position indicator	PA Trogamid T 5000 (clear)

Hygiene Right Angle Control Valve 6020

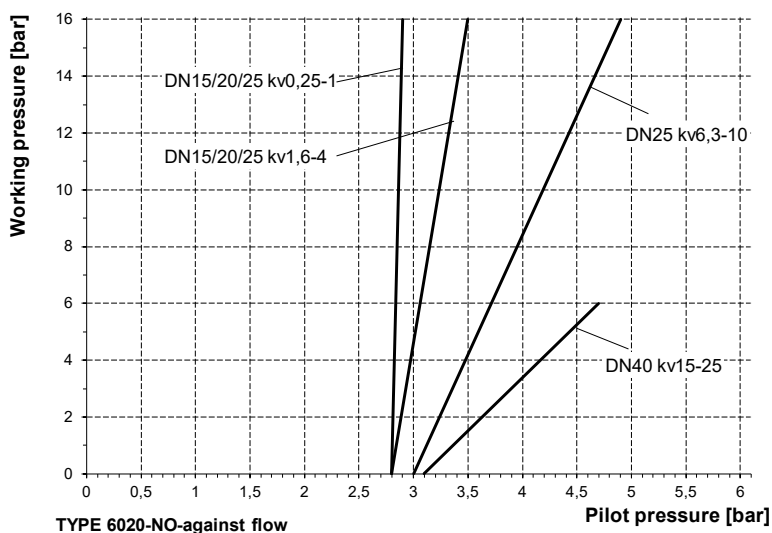
with integrated positioner



Admissible Differential Pressures

Kvs - values	max. admissible differential pressure				Supply air bar	Actuator size mm
	digital positioner Type 8048 and 8049 control bar		pneumatic positioner Type 8047 p/p and i/p control bar			
	control bar	on/off bar	control bar	on/off bar		
0,25 up to 1,0	16	16	--	--	3 up to 6	80
1,6 up to 4,0	16	16	14	16	4 up to 6	80
0,1 up to 1,0	16	16	--	--	3 up to 6	80
1,6 up to 4,0	16	16	14	16	4 up to 6	80
0,4 up to 1,0	16	16	--	--	3 up to 6	80
1,6 up to 4,0	16	16	14	16	4 up to 6	80
6,3 up to 10	12	16	8	12	4 up to 6	80
6,3 up to 10	16	16	16	16	3 up to 6	125
6,3 up to 10	16	16	-	-	2 up to 6	250
1,6 up to 4,0	16	16	14	16	4 up to 6	80
10 up to 25	5	6	3	4	4 up to 6	80
10 up to 25	6	16	6	14	4 up to 6	125
10 up to 25	6	16	--	--	2,8 up to 6	250

Admissible Differential Pressures (spring to open acuator D80)



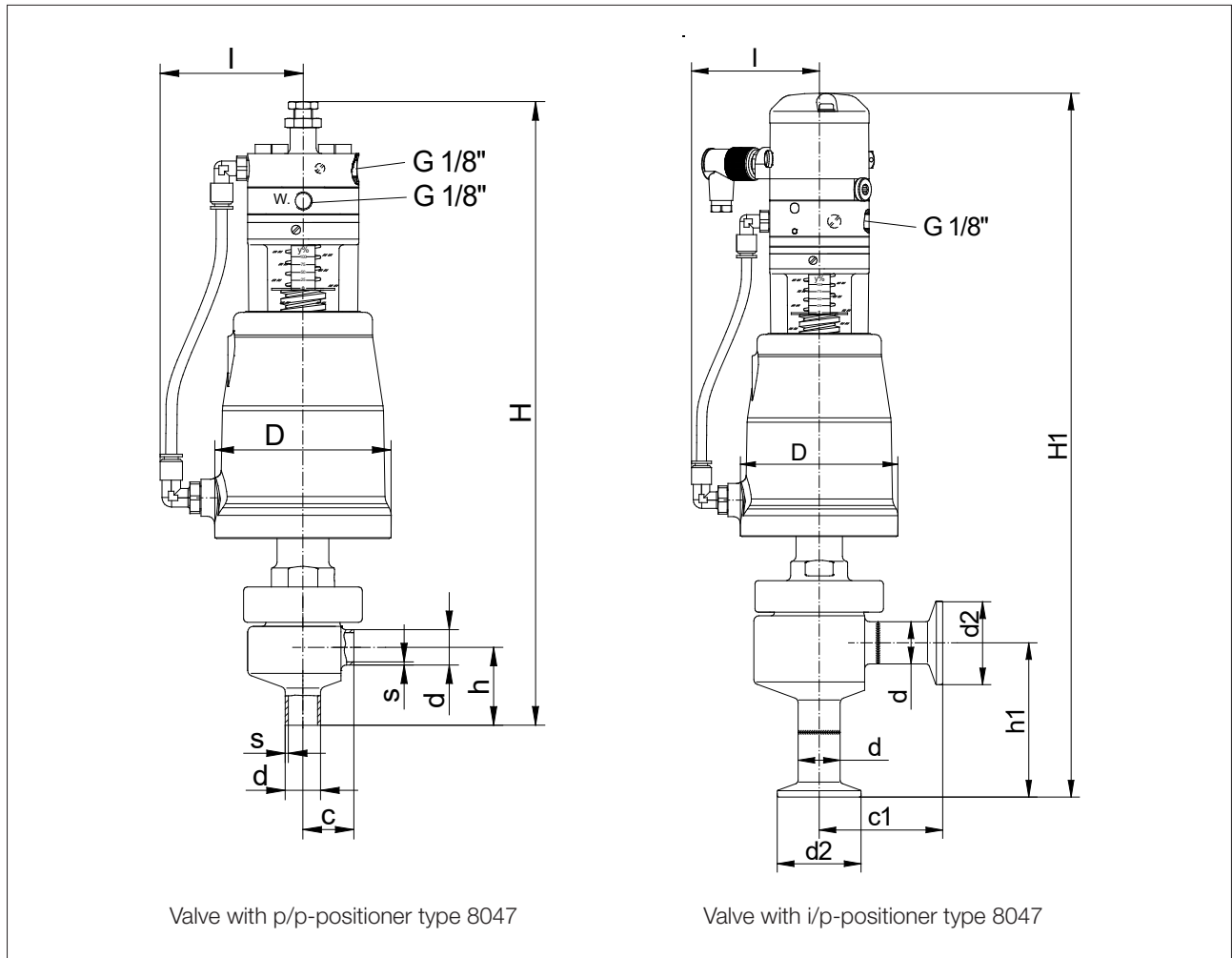
max. supply air
 kv 0,25-1 = 3,3bar
 kv 1,6-4 = 4,0bar
 kv 6,3-10 = 5,4bar
 kv 15-25 = 6,0bar

Hygiene Right Angle Control Valve 6020

with integrated positioner



Dimensions and Weights



DN	Actuator Ø	DIN DIN 11850 series 2				ISO				Inch				Tri-Clamp acc. Inch			
		d	s	c	h	d	s	c	h	d	s	c	h	d	d2	c1	h1
15	80	19	1,5	27,5	42	21,3	1,6	27,5	41	12,7	1,65	27,5	42	12,7	25	56	70,5
20	80	-	-	-	-	-	-	-	-	19,05	1,65	27,5	42	19,05	25	56	70,5
25	80	29	1,5	35,5	54,5	33,7	2	35,5	52	25,4	1,65	35,5	54	25,4	50,5	74,5	93
25	125	29	1,5	35,5	54,5	33,7	2	35,5	52	25,4	1,65	35,5	54	25,4	50,5	74,5	93
40	80	41	1,5	48	62,5	48,3	2	48	59	38,1	1,65	48	62,5	38,1	50,5	87	101,5
40	125	41	1,5	48	62,5	48,3	2	48	59	38,1	1,65	48	62,5	38,1	50,5	87	101,5

DN	Actuator Ø	D	I		H		H1		Weight (~kg)	
			8047		8047		8047		8047	
			p/p	i/p	p/p	i/p	p/p	i/p	p/p	i/p
15	80	96	90	80	338	368	366	396	4,1	4,4
20	80	96	90	80	338	368	366	396	4,1	4,4
25	80	96	90	80	355	385	394	424	4,6	4,9
25	125	146	105	105	375	405	414	464	7,3	7,6
40	80	96	90	80	370	400	409	439	5,9	6,2
40	125	146	105	105	390	420	429	459	8,6	8,9

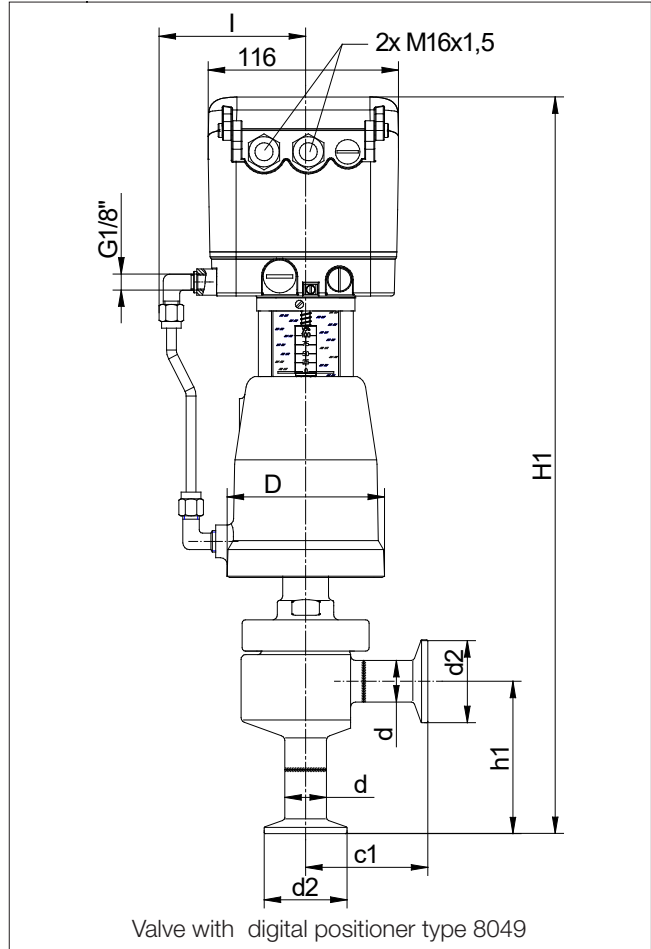
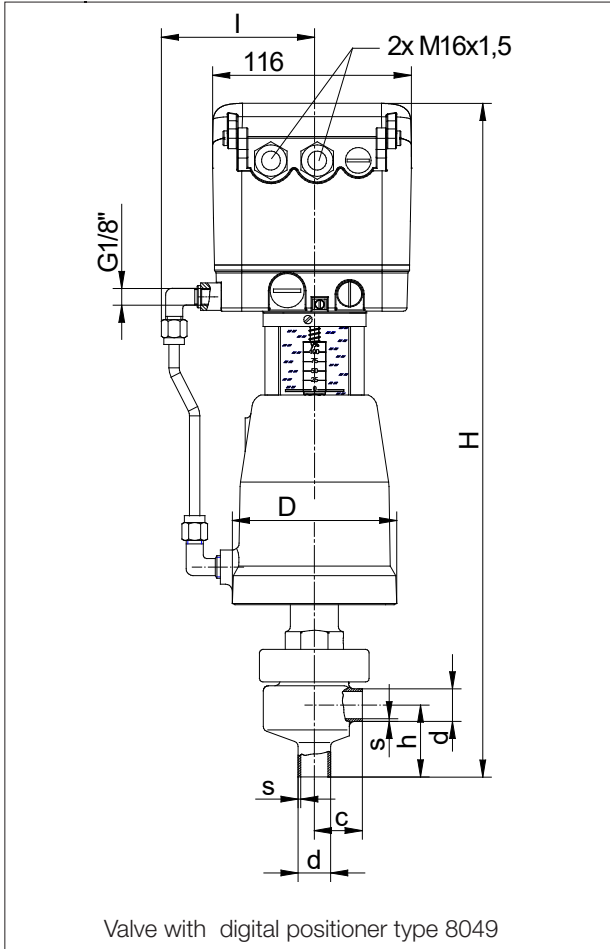
Dimensions in mm

Hygiene Right Angle Control Valve 6020

with integrated positioner



Dimensions and Weights



Welding ends

DN	Actuator Ø	DIN				ISO				Inch				H
		d	s	c	h	s	c	h	d	s	c	h		
15	80	19	1,5	27,5	42	21,3	1,6	27,5	41	12,7	1,65	27,5	42	395
20	80	-	-	-	-	-	-	-	-	19,05	1,65	27,5	42	395
25	80	29	1,5	35,5	54,5	33,7	2	35,5	52	25,4	1,65	35,5	54	412
25	125	29	1,5	35,5	54,5	33,7	2	35,5	52	25,4	1,65	35,5	54	432
40	80	41	1,5	48	62,5	48,3	2	48	59	38,1	1,65	48	62,5	426
40	125	41	1,5	48	62,5	48,3	2	48	59	38,1	1,65	48	62,5	446

Tri-clamps

DN	Actuator Ø	DIN					ISO					Inch				
		d	d2	c1	h1	H1	d	d2	c1	h1	H1	d	d2	c1	h1	H1
15	Ø	19	34	62,5	77,0	429	21,3	34	62,5	76	429	12,7	25	56	70,5	424
20	80	-	-	-	-	-	-	-	-	-	-	19,1	25	56	70,5	424
25	80	29	50,5	70,5	90	446	33,7	50,5	75,5	92	451	25,4	50,5	74,5	93	451
25	80	29	50,5	70,5	90	467	33,7	50,5	75,5	92	472	25,4	50,5	74,5	93	471
40	125	41	50,5	88	103	465	48,3	64	88	99	465	38,1	50,5	87	101,5	465
40	80	41	50,5	88	103	486	48,3	64	88	99	486	38,1	50,5	87	101,5	485

General

DN	Actuator Ø	D	l	Weight (~kg)
15	80	96	80	4,8
20	80	96	80	4,8
25	80	96	80	5,3
25	125	146	105	8,0
40	80	96	80	6,6
40	125	146	105	9,3

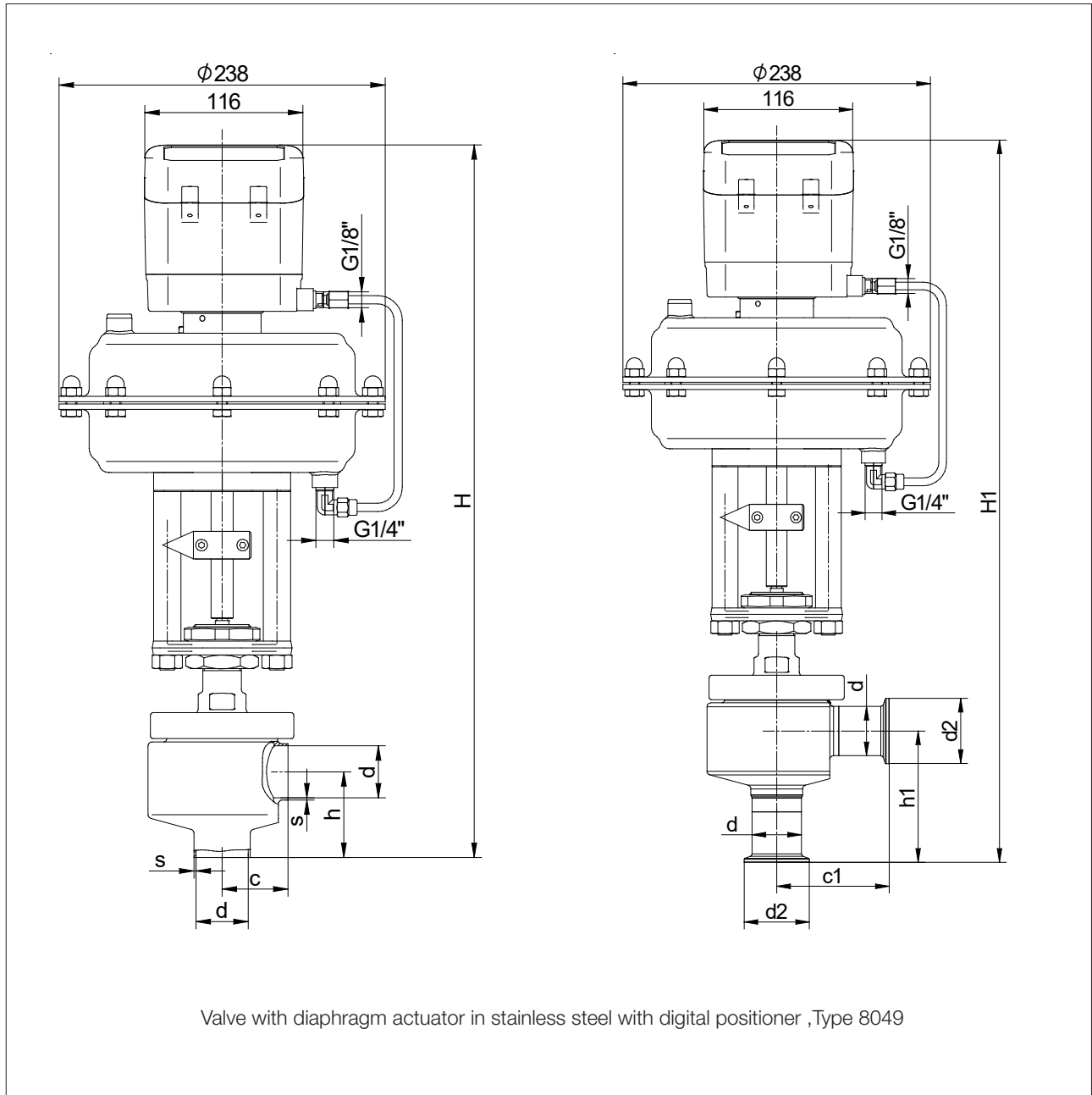
Dimensions in mm

Hygiene Right Angle Control Valve 6020

with integrated positioner



Dimensions and Weights



Text and pictures are not binding. We reserve the right, to alter the equipment.

DN	Actuator Ø	DIN DIN 11850 series 2				ISO				Inch				Tri-clamp acc. Inch				H	H1	Weight (~kg)
		d	s	c	h	d	s	c	h	d	s	c	h	d	d2	c1	h1			
25	250	29	1,5	35,5	54,5	33,7	2	35,5	52	25,4	1,65	35,5	54	25,4	50,5	74,5	93	432	471	16,0
40	250	41	1,5	48	62,5	48,3	2	48	59	38,1	1,65	48	62,5	38,1	50,5	87	102	446	485	17,3

Dimensions in mm