

# Flanged Motor Valve compact 7232

## DN 15 up to DN 50

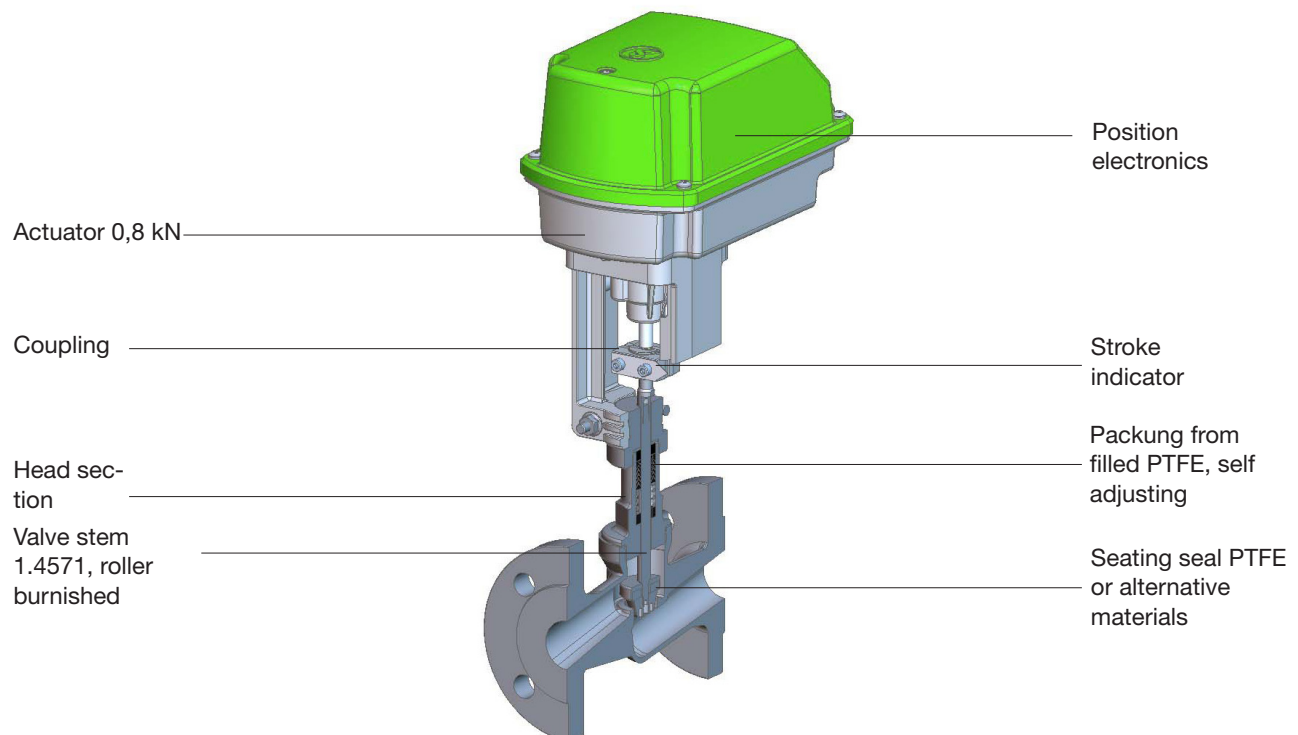
**Motor valve for on/off- and modulating operation for neutral and aggressive media.**

- Compact design
- Self adaption
- Unaffected by lightly contaminated media
- For temperatures from -100°C up to +220°C
- Working pressure up to 40 bar
- Versatile actuator options
- Actuators with control function also available with safety function



### Technical Information Valve

Body materials	Stainless steel 1.4408
Nominal sizes	DN 15 up to DN 50
Connection	Flanges acc. DIN 2635
Dimension	acc. DIN EN558-1 Row 1
Nominal pressure	PN 40
Media temperature	-30°C up to +200°C, opt.-100°C up to +220°C
Viscosity	max. 600 mm <sup>2</sup> /s (600 cSt)
Vacuum	max. 0,001 bar, abs.
Operating pressure packing underneath	max. 12 bar
Packing leakage	tested according to TA-Luft as defined in DIN EN ISO 15848-1 and VDI 2440



## Technical Information CA-Actuator

Function	Control				On/Off	
Motor type	CA24C	CA260C	CA24C-R	CA260C-R	CA24	CA260
Mains connection	24V AC/DC	90-260V AC	24V AC/DC	90-260V AC	24V AC/DC	90-260V AC
Set point range	(0)2-10V / (0)4-20mA				3-term**	
Feedback	(0)2-10V / (0)4-20mA				optional	
Limit switch	2				optional	
Potentiometer feedback	-				optional	
Max. switching capacity	24V AC/DC 200 mA				250V AC/DC 1A	
Actuating speed	1.5 / 2 / 3 s/mm (Standard: 2 s/mm)				2 or 3 s/mm (Standard: 3 s/mm)	
Safety functions	Monitoring of tensile force, set point, temperature of the electronics, etc.				Tensile force monitoring	
Diagnostic functions	Storage of motor and total operating time, temperature and directional classes, etc.				-	
Fail Safe position	-	-	freely adjustable		-	
Load	500 Ω for current set point / 95 kΩ for voltage set point				-	
Max. input	13 W	12 W	13 W	12 W	13 W	12 W
Input heating resistor	10 W					
Starting current heating resistor	6 A	2,5 A	6 A	2,5 A	6 A	2,5 A
Actuating power	800 N					
Protection class (EN 60529)	IP 65					
Adm. Ambient temperature	-10°C to +60°C					
Duty cycle	100%					

\*: for control with volt-signal split range adjustments are possible

\*\*: minimum switch on time 200ms

Wiring diagrams of the actuators can be found in the manual.

## Admissible Differential Pressures

Nominal size	p max (bar)											
	DN15		DN20		DN25		DN32		DN40		DN50	
	On/off	Control	On/off	Control	On/off	Control	On/off	Control	On/off	Control	On/off	Control
Stainless steel body	40	16	20	16	12	12	7	7	4,8	4,8	2,8	2,8

## Kvs-Values

Characteristic	linear						equal percentage					
	15,00	20	25	32	40	50	15	20	25	32	40	50
100 %	3,2 (8,7)	5,8 (9,2)	10,8 (14,2)	16 (19,2)	22 (18,2)	34 (20,2)	3 (8,7)	5,4 (9,2)	10 (14,2)	15,5 (19,2)	20 (18,2)	-
63%	-	3,5 (6,2)	-	10 (11,2)	13,2 (12,2)	20,1 (11,2)	-	3,3 (7,2)	-	9,3 (12,2)	12 (13,2)	-
40 %	1,3 (6,7)	2,3 (6,2)	4,3 (6,2)	6,4 (7,2)	8,8 (8,2)	13,4 (7,2)	1,3 (8,7)	2,2 (7,2)	4 (9,2)	6,2 (11,2)	8 (12,2)	-
25 %	0,8 (6,7)	-	2,7 (6,2)	-	-	-	0,75 (8,7)	-	2,7 (9,2)	-	-	-

On-Off	3,4 (8,7)	6,5 (9,2)	11 (14,2)	17 (19,2)	25 (18,2)	40 (20,2)
--------	--------------	--------------	--------------	--------------	--------------	--------------

## Ordering Number System

	Article number									
	7232/				K					S
Nominal size:										
DN 15	015									
DN 20	020									
DN 25	025									
DN 32	032									
DN 40	040									
DN 50	050									
Item:										
Valve		V								
Upper part		U								
Actuator		A								
Body design:										
Flanged valve				9						
Connection:										
Flanges acc. DIN 2635					1					
Body material:										
Stainless steel						2				
Seating seal:										
PTFE							0			
FKM (Viton)							1			
EPDM							2			
NBR							3			
Actuator:										
Control actuator CA24C, 24V AC/DC, with position electronic, stanard adjustment: control signal 4-20mA, feedback 4-20mA, 2 limit switch								C		
Control Actuator CA260C, 90-260V 50/60Hz, with position electronic, Standard adjustment 4-20mA, feedback 4-20mA, 2 limit switch								D		
On-Of (3-point) actuator CA24, 24V AC/DC								E		
On-Off (3-point) actuator CA260, 90-260V, 50/60Hz								F		
Control plug:										
none									-	
linear 100%									1	
equal percentage 100%									2	
linear 40%									3	
equal percentage 40%									4	
linear 25%									5	
equal percentage 25%									6	
Safety position:										
without safety position										-
Fail-Safe: normally closed at power failure										2
Fail-Safe: normally open at power failure										3
Stroking times										
Standard (2 s/mm for control actuators - 3 s/mm for on-off-actuators)										-
3 s/mm										4
1,5 s/mm										5

### Ordering example:

7232/025VK91202C

Flanged compact motor valve type 7232, DN 25, flanges acc. DIN 2635, stainless steel body, seating seal PTFE, control actuator CA24C, 24V AC/DC, 0,8 kN, control electronics 4-20 mA, position feedback 2-10V, linear characteristic, Kvs-value 14 (100 %).

