

# 3/2-Way Motor Valve compact 7280

DN 15 up to DN 40

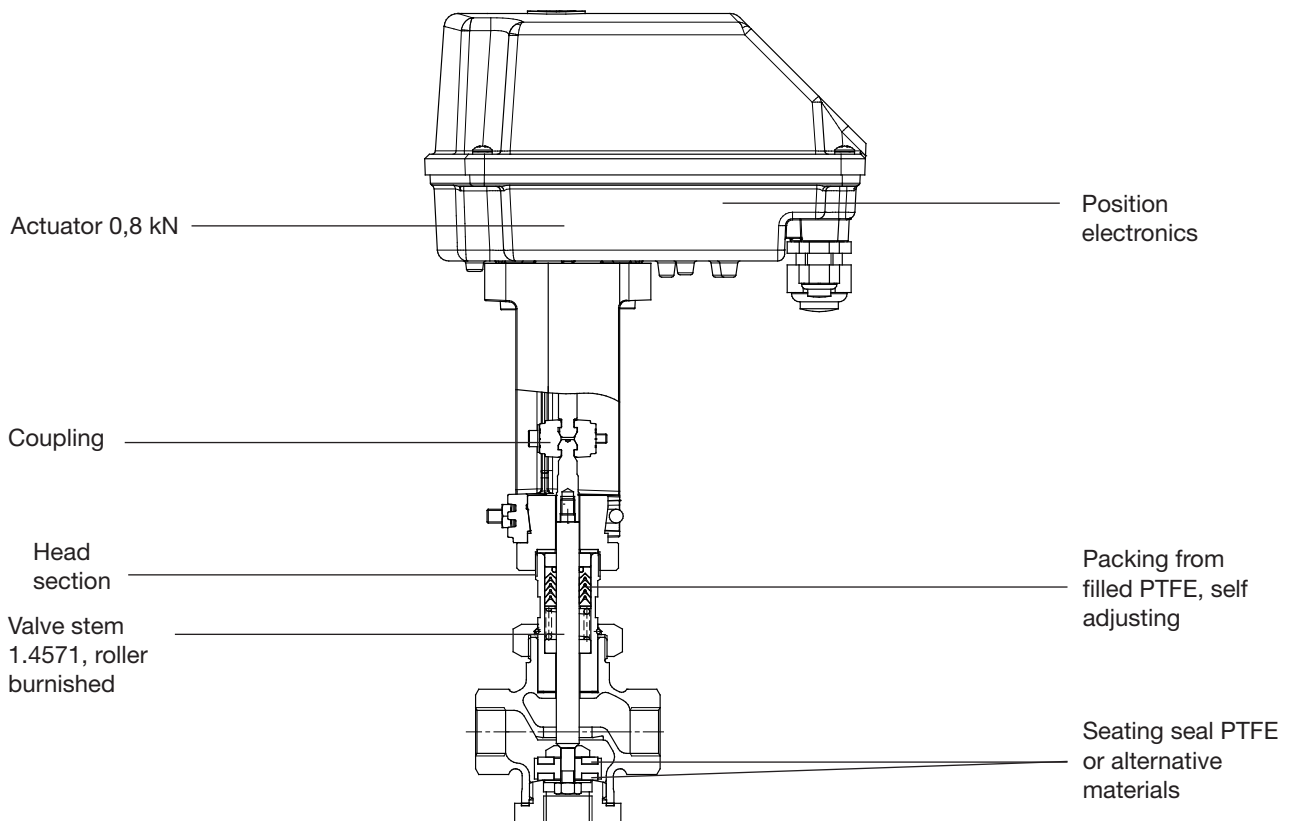
**3/2-Way Compact Motor Valve for distributing function, mixing function and modulating operation for neutral and aggressive media**

- Compact design
- Self calibration
- Unaffected by lightly contaminated media
- For temperatures from -40°C up to +200°C
- Versatile actuator options
- Actuators with control function also available with safety position



## Technical Information Valve

Body material	Bronze CC491K
Nominal size	DN 15 up to DN 40
Connections	Pipe thread acc. ISO 228-1 NPT thread
Nominal pressure	PN 16
Media temperature	-40°C up to +200°C
ambient temperature	-10°C up to +60°C
Viscosity of media	max. 600 mm <sup>2</sup> /s (600cSt, 80°E)
Packing leakage	tested according to TA-Luft as defined in DIN EN ISO 15848-1 and VDI 2440

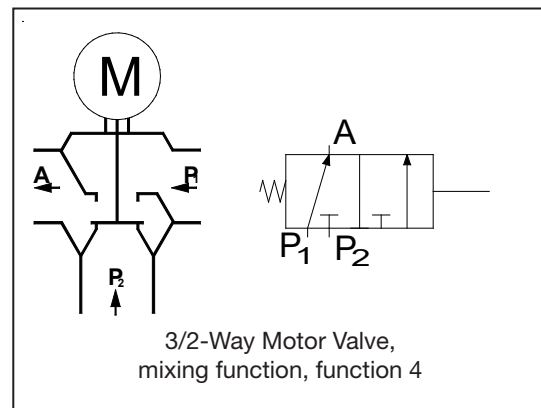
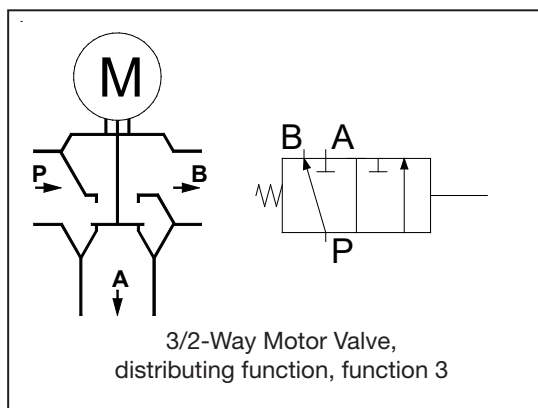


## Technical Information CA-Actuator

Function	Control				On/Off	
	CA24C	CA260C	CA24C-R	CA260C-R	CA24	CA260
Motor type	CA24C	CA260C	CA24C-R	CA260C-R	CA24	CA260
Mains connection	24 V AC/ DC	100-240 V AC	24 V AC/ DC	100-240 V AC	24 V AC/DC	100-240 V AC
Set point range	(0)2-10 V / (0)4-20 mA				3-point**	
Mains frequency	50/60 Hz				50/60 Hz	
Feedback	(0)2-10 V / (0)4-20 mA				optional	
Dead band	±0.6 % of the entire stroke				-	
Repeatability	±0.3 % of the entire stroke				-	
Limit switch	2				optional	
Potentiometer feed-back	-				optional	
Max. switching capacity	24 V AC/DC 200 mA				250 V AC/DC 1 A	
Actuating speed	1.5 / 2 / 3 s/mm (Standard: 2 s/mm)				2 or 3 s/mm (Standard: 3 s/mm)	
Safety functions	Monitoring of tensile force, set point, temperature of the electronics, etc.				Tensile force monitoring	

Wiring diagrams of the actuators can be found in the manual.

## Versions



## Kvs-Values

DN	P-B	P-A	P1-A	P2-A
15	5,5	5,3	5,7	5,3
20	7,4	8,7	7,3	9,5
25	12,3	12,5	12,6	14
32	24,4	20	25,5	21
40	26,6	23	30,3	23,3

## Admissible Differential Pressures

Nominal size	Differential pressure max. (bar)				
	DN15	DN20	DN25	DN32	DN40
	15	15	8	3	3

## Ordering Number System

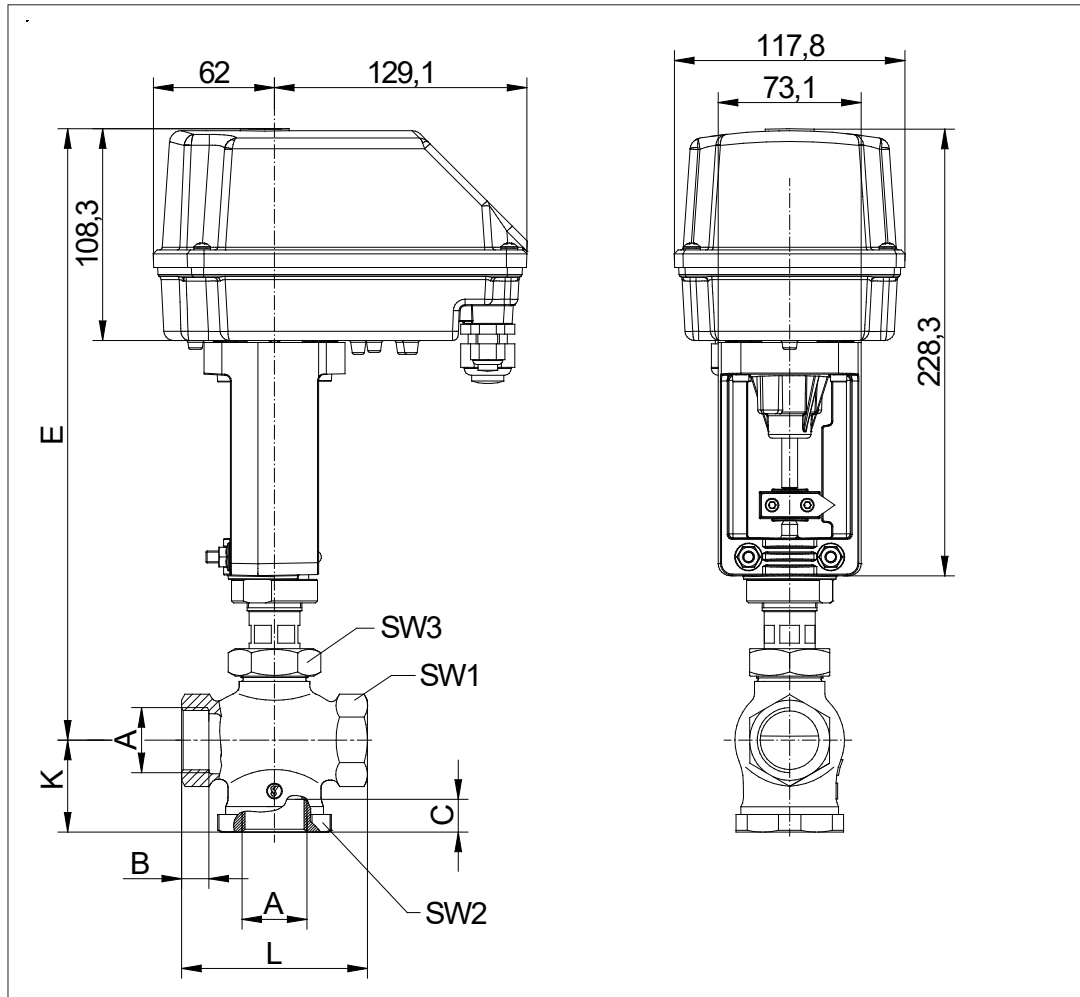
		Article number									
		7280/			K						S
Nominal size:											
DN 15	015										
DN 20	020										
DN 25	025										
DN 32	032										
DN 40	040										
Item:											
Valve	V										
Valve without actuator	U										
Actuator	A										
Body design:											
3/2-Way Motor Valve, distributing function					3						
3/2-Way Motor Valve, mixing function					4						
Connection:											
Withworth-thread						0					
NPT thread						5					
Body material:											
Bronze							1				
Seating seal:											
PTFE								0			
Actuator:											
Control actuator CA24C, 24V AC/DC, with position electronic, stanard adjustment: control signal 4-20mA, feedback 4-20mA, 2 limit switch									C		
Control Actuator CA260C, 100-240V, 50/60Hz, with position electronic, Standard adjustment 4-20mA, feedback 4-20mA, 2 limit switch									D		
On-Of (3-point) actuator CA24, 24V AC/DC									E		
On-Off (3-point) actuator CA260,100-240V, 50/60Hz									F		
Control plug:											
without										-	
Safety position:											
without safety position											-
Spindle travelling into valve, set point time < 1.5 mm/sec											0
Spindle travelling out of valve, set point time < 1.5 mm/sec											1
Stroking times:											
Standard (2 s/mm for control actuators - 3 s/mm for on-off-actuators)											-
3 s/mm											4
1,5 s/mm											5

Ordering example:

7280/025VK4010C

3/2-Way compact Motor valve Type 7280, DN 25, pipe thread acc. DIN 2999/ISO228, bronze body, seating seal PTFE, control actuator BM24C/I, 24V AC/DC, control electronics 4-20 mA, position feedback 2-10V

## Dimensions and Weights BM-actuators



DN	A Rp / NPT	C Rp	C NPT	E	stroke	K	L	SW1	SW2	SW3	weight kg
15	1/2"	15	14,5	360,5	9	39	90	33	41	41	2,9
20	3/4"	16,3	15	360,5	9	42	90	33	41	41	2,9
25	1"	19,1	18	373	11	47	110	41	55	41	3,3
32	1 1/4"	21,4	18,4	388	11	61	130	58	75	41	4,2
40	1 1/2"	19	19	388	18,5	61	132	58	75	41	4,2

Dimensions in mm