

## GS 3 series - DN 15 up to DN 250

**Pneumatic sliding gate valve optionally with integrated positioner for regulating or shutting off liquid and gaseous media for industrial applications**

- Space saving wafer type construction
- Lowest possible weight
- Quiet operation
- Fast response time
- Greatly reduced energy consumption rates due to short strokes and low actuating forces on the throttle element
- High Kvs-values
- Meets the requirements of TA-Luft 2021



### Technical Information

Design	wafer-type design -for flanges acc. DIN EN 1092-1 Form B or ASME B16.5 RF - with threaded connection (only PN40 in stainless steel; DN15 - DN50)		
Nominal Sizes	DN 15 - 250, 1/2" - 12"		
Nominal pressure acc. EN 1333	PN 40 (fits also to PN10-PN25) PN 100 PN 16 and PN 25	DN 15 - DN 150 DN 15 - DN 80 DN 200 - DN 250	
Nominal pressure acc. ANSI	ANSI 150 ANSI 300 ANSI 600	DN15 - DN 250 DN 15 - DN 150 DN 15 - DN 80	
Nominal pressure acc. JIS for flanges with raised face	10K 20K	DN 15 - DN 50 DN 15 - DN 40	
Fluid Temperature	Versions from -60°C up to 350°C		
Ambient temperature*	digital positioner -10°C up to +75°C analog positioner -15°C up to +60°C		
Rangeability / Characteristic analog positioner digital positioner	30 : 1 40 : 1 linear / 80 : 1 equal percentage		
Leakage % of Kvs IEC 60534-4 EN 12266-1	Disc pair Carbon-stainless steel < 0,0001 IV-S1 E	Disc pair SFC < 0,0005 IV-S1 F	Disc pair STN 2 < 0,001 IV F
Specific leakage rate shaft and body sealing	ISO FE-BH-CC3-SSA0-t(-40°C/+350°C)-PN40-ISO 15848-1		
Marking ATEX non electric	II 2G Ex h IIC T6...T1 X Gb II 2D Ex h IIIC 85°C...530°C X Db		
Applications acc. PED 2014/68/EU	stainless steel or carbon steel body body made of Alloy C-276 body made of stainless steel with threaded ends		up to category II up to category I

\* Please consider the limitation of use of the positioner!

\*\* With DN15 with reduction of less than 25%, different leakage rates possible.

Kvs-values see data sheet 8001

### Fluid temperature

Rating	PN16	PN40	PN 100	ANSI 150	ANSI 300	ANSI 600
Body material cpl. stainless steel						
Tmin [°C]	-60	-60	-60	-29	-29	-29
Tmax [°C]	350	350	350	350	350	350
Body material carbon steel with stainless steel body cover						
Tmin [°C]	-60	-60	-10	-20	-20	-20
Tmax [°C]	350	350	350	350	350	350
Body material Alloy C-276						
Tmin [°C]	-60	-60	-60	-29	-29	-29
Tmax [°C]	350	350	350	350	350	350

## Positioner

The technical information of the positioners can be found in the corresponding data sheets.

## Material

Stainless steel version				
Valve body	stainless steel, 1.4408			
Bodycover	stainless steel, 1.4404 or 316L			
Valve stem	stainless steel 1.4571, roller burnished			
coupling ring	Stainless steel 1.4581			
Packing tube	Stainless steel 1.4408			
Packing	PTFE carbon filled (spring 1.4310)			
Body seal	Graphite with stainless steel foil			
Fixed disc	stainless steel coated		STN2-disc	STN3-disc
Sliding disc	special carbon material	SFC-disc (max. +300°C)	STN2-disc	STN3-disc

carbon steel version				
Valve body	carbon steel, 1.0619			
Bodycover	stainless steel, 1.4404 or 316L			
Valve stem	stainless steel 1.4571, roller burnished			
coupling ring	Stainless steel 1.4581			
Packing tube	Stainless steel 1.4408			
Packing	PTFE carbon filled (spring 1.4310)			
Body seal	Graphite with stainless steel foil			
Fixed disc	stainless steel coated		STN2-disc	STN3-disc
Sliding disc	special carbon material	SFC-disc (max. +300°C)	STN2-disc	STN3-disc

Version in Alloy C-276				
Valve body	Alloy C-276, 2.4819			
Bodycover	Alloy C-276, 2.4819			
Valve stem	Alloy C-276, 2.4819			
coupling ring	Alloy C-276, 2.4819			
Packing tube	Alloy C-276, 2.4819			
Packing	PTFE carbon filled (spring Alloy C4, 2.4610)			
Body seal	Pure graphite			
Fixed disc	Alloy C-276, 2.4819		STN3-disc	
Sliding disc	special carbon material		STN3-disc	

For all versions	
Diaphragm casing	aluminium, KTL-coated or stainless steel
Actuator springs	stainless steel 1.4310
Coupling	zinc die-cast or stainless steel
Mounting parts	stainless steel

## Limitations

Additionally to the limitations of the pressure rating valves made of Alloy C-276 as well as valves with threaded connections are limited to applications of the category I of the PED 2014/68/EU.

		maximum admissible operating pressure in bar for application of category I of the pressure equipment directive 2014/68/EU				
		DN15	DN25	DN40	DN50	DN80*
Fluid group 1	gaseous	X	X	25	20	12,5
	liquid	X	X	50	40	25
Fluid group 2	gaseous	X	X	X	X	X
	liquid	X	X	X	X	X

X = no limitation

\*DN80 is not available with threaded connections.

# Sliding Gate Valve 8021-GS3



with integrated digital positioner, Type 8049  
(also on-off valves and valves with other side-mounted positioner)

## Admissible differential pressures

(For temperatures of up to 120°C with PN-rating  
up to 38°C with ANSI-rating)

For temperatures of 120°C (PN) or  
38°C (ANSI) and above:  
**obey application limits!**

## Disc pair:

**Carbon - stainless steel coated /  
SFC - stainless steel coated /  
Carbon - Alloy C-276**

Actuator Size	125 cm <sup>2</sup>		250 cm <sup>2</sup>			500 cm <sup>2</sup>			750 cm <sup>2</sup>		
Supply air (bar)	4,5	5,5	3,0	4,0	5,7	3,0	4,5	5,1	1,5	3,5	4,0
DN	max. admissible differential pressure (bar)										
15 **	102,1	102,1	102,1	102,1	102,1	-	-	-	-	-	-
20	102,1	102,1	102,1	102,1	102,1	-	-	-	-	-	-
25 **	88 (102,1)*	88 (102,1)*	88 (102,1)*	88 (102,1)*	88 (102,1)*	-	-	-	-	-	-
32	88	102,1	102,1	102,1	102,1	-	-	-	-	-	-
40 **	67	83	88 (102,1)*	88 (102,1)*	88 (102,1)*	-	-	-	-	-	-
50 **	44	54	75	91	99	102,1	102,1	102,1	-	-	-
65	37	45	63	76	80	80	80	80	-	-	-
80 **	23	29	40	48	48	48	48	48	-	-	-
100	15	16	25	31	33	33	33	33	20	33	33
125	10	11	17	21	23	23	23	23	13,5	23	23
150	7	8	13	15	16	16	16	16	10	16	16
200	4	5	7	9	12	15	16	16	5,9	16	16
250	2,7	3,4	4,6	5,6	7,5	9,5	10,5	12,0	3,6	12	12
Spring Configuration	Code 3 (Standard)	Code 4	Code 3 (Standard)	Code 4	Code 6	Code 6 (Standard)	Code 8	Code B	Code L	Standard	Code P

### Standard

\* Values in brackets for valves made of carbon steel or Alloy C-276

\*\* Size available in Alloy C-276 version

## Disc pair:

### STN 2 / STN 3

Actuator size	125 cm <sup>2</sup>		250 cm <sup>2</sup>			500 cm <sup>2</sup>			750 cm <sup>2</sup>		
Supply air (bar)	4,5	5,5	3,0	4,0	5,7	3,0	4,5	5,4	1,5	4,0	4,5
DN	max. admissible differential pressure (bar)										
15 **	102,1	102,1	102,1	102,1	102,1	-	-	-	-	-	-
20	81	102,1	102,1	102,1	102,1	-	-	-	-	-	-
25 **	60	75	88 (102,1)*	88 (102,1)*	88 (102,1)*	88 (102,1)*	88 (102,1)*	-	-	-	-
32	45	56	77	93	102,1	102,1	102,1	-	-	-	-
40	31	38	53	64	72	72	72	-	-	-	-
50 **	18	22	31	38	51	64	77	78	-	-	-
65	15	18	26	31	42	53	62	63	-	-	-
80	9	10	15	19	25	32	36	37	-	-	-
100	5	6	9	11	16	19	23	30	8	30	33
125	3	4	6	7	11	13	16	20	5	20	23
150	2	3	4	5	8	9	11	15	4	14,5	16
200	2	2	3	3	4	6	7	8	2	8,5	10
250	0,9	1,2	1,6	2,0	2,7	3,4	4,1	5,1	1	5,2	5,7
Spring Configuration	Code 3 (Standard)	Code 4	Code 3 (Standard)	Code 4	Code 6	Code 6 (Standard)	Code 8	Code B	Code L	Standard	Code P

### Standard

\* Values in brackets for valves made of carbon steel or Alloy C-276

\*\* Size available in Alloy C-276 version

## Upper limits of the pressure rating

	Upper limits for admissible pressures in bar					
	PN16	PN40	PN100	ANSI150	ANSI 300	ANSI 600
P max. carbon steel/ Alloy C-276	16	40	100	19,6	51,1	102,1
P max. stainless steel				19,0	49,6	99,3

# Sliding Gate Valve 8021-GS3



with integrated p/p and i/p - positioner, Type 8047

## Admissible differential pressures

(For temperatures of up to 120°C with PN-rating  
up to 38°C with ANSI-rating)

**For temperatures of 120°C (PN) or  
38°C (ANSI) and above:  
obey application limits!**

### Disc pair:

**Carbon - stainless steel coated /**

**SFC - stainless steel coated /**

**Carbon - Alloy C-276**

Actuator size	125 cm <sup>2</sup>		250 cm <sup>2</sup>		500 cm <sup>2</sup>			
	Spring range (bar)	1,5 up to 3,0	1,8 up to 3,8	1,2 up to 2,2	1,5 up to 2,7	1,2 up to 2,2	1,5 up to 2,7	
Supply air (bar)	4	5	3	4	3	4,5		
DN	max. admissible differential pressure (bar)							
15**	102	102	102	102	-	-		
20	77	96	102	102	-	-		
25**	57	71	88 (98)*	88 (102,1)*	88 (102,1)*	88 (102,1)*		
32	42	52	73	88	102	102		
40**	29	36	49	60	88 (102,1)*	88 (102,1)*		
50**	17	21	29	35	60	72		
65	14	17	24	29	49	59		
80**	8	10	14	17	29	35		
100	5	6	9	10	18	22		
125	3	4	6	7	12	14		
150	2	3	4	5	9	10		
200	2	2	3	3	5	6		
250	0,9	1,1	1,5	1,9	3,2	3,8		
Spring Configuration	Code 3 (Standard)	Code 4	Code 3 (Standard)	Code 4	Code 3 (Standard)	Code 4		

### Standard

\* Values in brackets for valves made of carbon steel or Alloy C-276

\*\* Size available in Alloy C-276 version

### Disc pair:

**STN 2 / STN 3**

Actuator Size	125 cm <sup>2</sup>		250 cm <sup>2</sup>		500 cm <sup>2</sup>			
	Spring Range (bar)	1,5 to 3,0	1,8 to 3,8	1,2 to 2,2	1,5 to 2,7	1,2 to 2,2	1,5 to 2,7	
Supply air (bar)	4	5	3	4	3	4,5		
DN	max. admissible differential pressure (bar)							
15**	55	68	95	102,1	102,1	102,1		
20	37	46	64	78	102,1	102,1		
25**	25	31	43	53	88 (89)*	88 (102,1)*		
32	17	22	30	36	62	75		
40	11	14	19	24	40	48		
50**	6	8	11	13	23	27		
65	5	6	9	11	18	22		
80**	3	4	5	6	11	13		
100	2	2	3	4	6	8		
125	-	2	2	3	4	5		
150	-	1	2	2	3	4		
200	-	-	0,9	1,1	1,8	2,2		
250	-	-	0,5	0,6	1,1	1,3		
Spring Configuration	Code 3 (Standard)	Code 4	Code 3 (Standard)	Code 4	Code 6 (Standard)	Code 6		

### Standard

\* Values in brackets for valves made of carbon steel or Alloy C-276

\*\* Size available in Alloy C-276 version

## Upper limits of the pressure rating

	Upper limits for admissible pressures in bar					
	PN16	PN40	PN100	ANSI150	ANSI 300	ANSI 600
P max. carbon steel/ Alloy C-276	16	40	100	19,6	51,1	102,1
P max. stainless steel				19,0	49,6	99,3



## Application limitations for GS3 valves in stainless steel

These pressure must not be exceeded for GS-valves from the GS3-series made of stainless steel, even though the actuator power might allow it.

### PN40

DN	Sliding unit: carbon/SFC - stainless steel, coated						Sliding unit: STN2					
	max. admissible pressures for GS3-valves in stainless steel						max. admissible pressures for GS3-valves in stainless steel					
	100°C	150°C	200°C	250°C	300°C	350°C	100°C	150°C	200°C	250°C	300°C	350°C
15-32	40	40	40	40	40	40	40	40	40	40	40	40
40	40	40	40	40	40	40	40	40	40	40	40	37
50	40	40	40	40	40	40	40	40	40	40	40	40
65	40	40	40	40	40	40	40	40	40	40	37	32
80	40	40	40	40	40	40	36	34	33	26	22	19
100	33	33	33	33	33	33	32	31	30	24	20	17
125	23	23	23	23	23	23	21	21	19	16	13	11
150	16	16	16	16	16	16	15	15	14	11	9	8
200 (max. PN25)	16	16	15	13	12	11	8	7	6	5	4	3
250 (max. PN25)	10	9	9	8	7	6	5,7	5,4	5,1	4,1	3,4	2,9

Limitation for SFC-sliding discs: 300°C

### PN100

DN DN	Sliding unit: carbon/SFC - stainless steel, coated						Sliding unit: STN2					
	max. admissible pressures for GS3-valves in stainless steel						max. admissible pressures for GS3-valves in stainless steel					
	100°C	150°C	200°C	250°C	300°C	350°C	100°C	150°C	200°C	250°C	300°C	350°C
15	100	100	100	93	84	79	100	100	100	93	84	79
20	100	100	89	81	73	68	100	100	89	81	73	68
25	88	81	70	63	57	54	88	81	70	63	57	54
32	100	93	80	73	65	62	100	93	80	73	65	60
40	88	81	70	63	57	54	72	69	65	53	43	37
50	100	100	100	100	100	94	77	73	70	56	46	40
65	80	80	80	79	71	67	62	59	56	45	37	32
80	48	48	48	48	48	44	36	34	33	26	22	19

Limitation for SFC-sliding discs: 300°C

### ANSI150

DN	Sliding unit: carbon/SFC - stainless steel, coated								Sliding unit: STN2							
	max. admissible pressures for GS3-valves in stainless steel								max. admissible pressures for GS3-valves in stainless steel							
	38°C	50°C	100°C	150°C	200°C	250°C	300°C	350°C	38°C	50°C	100°C	150°C	200°C	250°C	300°C	350°C
15-125	19,0	18,4	16,2	14,8	13,7	12,1	10,2	8,4	19,0	18,4	16,2	14,8	13,7	12,1	10,2	8,4
150	16,0	16,0	16,0	14,8	13,7	12,1	10,2	8,4	16,2	16,2	16,2	14,8	13,7	11,8	9,7	8,4
200	16,0	16,0	16,0	14,8	13,7	12,1	10,2	8,4	10,5	10,0	8,3	7,6	6,9	5,5	4,5	3,9
250	10,4	10,4	10,4	9,9	9,4	8,4	7,4	6,8	5,7	5,7	5,7	5,4	5,1	4,1	3,4	2,6

Limitation for SFC-sliding discs: 300°C

### ANSI300

DN	Sliding unit: carbon/SFC - stainless steel, coated								Sliding unit: STN2							
	max. admissible pressures for GS3-valves in stainless steel								max. admissible pressures for GS3-valves in stainless steel							
	38°C	50°C	100°C	150°C	200°C	250°C	300°C	350°C	38°C	50°C	100°C	150°C	200°C	250°C	300°C	350°C
15-65	49,6	48,1	42,2	38,5	35,7	33,4	31,6	30,3	49,6	48,1	42,2	38,5	35,7	33,4	31,6	30,3
80	48,0	48,0	42,2	38,5	35,7	33,4	31,6	30,3	36,6	36,6	36,6	34,8	33,0	26,8	22,0	19,0
100	33,0	33,0	33,0	33,0	33,0	33,0	31,6	30,3	33,0	33,0	33,0	31,7	30,1	24,4	20,1	17,3
125	23,0	23,0	23,0	23,0	23,0	23,0	23,0	23,0	22,0	22,0	22,0	21,0	19,9	16,1	13,2	11,5
150	16,0	16,0	16,0	16,0	16,0	16,0	16,0	16,0	16,0	16,0	16,0	15,4	14,6	11,8	9,7	8,4
200	16,0	16,0	16,0	14,8	13,7	12,1	10,2	8,4	10,5	10,0	8,3	7,6	6,9	5,5	4,5	3,9

Limitation for SFC-sliding discs: 300°C

### ANSI600

DN	Sliding unit: carbon/SFC - stainless steel, coated								Sliding unit: STN2							
	max. admissible pressures for GS3-valves in stainless steel								max. admissible pressures for GS3-valves in stainless steel							
	38°C	50°C	100°C	150°C	200°C	250°C	300°C	350°C	38°C	50°C	100°C	150°C	200°C	250°C	300°C	350°C
15-20	99,3	96,2	84,4	77,0	71,3	66,8	63,2	60,7	99,3	96,2	84,4	77,0	71,3	66,8	63,2	60,7
25	88,0	88,0	84,4	77,0	70,1	63,7	57,3	54,2	88,0	88,0	84,4	77,0	70,1	63,7	57,3	54,2
32	99,3	96,2	84,4	77,0	71,3	66,8	63,2	60,7	99,3	96,2	84,4	77,0	71,3	66,8	63,2	60,2
40	88,0	88,0	84,4	77,0	70,1	63,7	57,3	54,2	72,5	72,5	72,5	69,0	65,5	53,1	43,6	37,7
50	99,3	96,2	84,4	77,0	71,3	66,8	63,2	60,7	77,7	77,7	77,7	73,9	70,2	56,9	46,7	40,4
65	80,0	80,0	80,0	77,0	71,3	66,8	63,2	60,7	62,5	62,5	41,7	59,5	56,4	45,8	37,6	32,5
80	48,0	48,0	48,0	48,0	48,0	48,0	48,0	44,5	36,6	36,6	36,6	34,8	33,0	26,8	22,0	19,0

Limitation for SFC-sliding discs: 300°C

## Application limitations for GS3 valves in carbon steel

These pressure must not be exceeded for GS-valves from the GS3-series made of carbon steel, even though the actuator power might allow it.

### PN40

DN	Sliding unit: carbon/SFC - stainless steel, coated						Sliding unit: STN2					
	max. admissible pressures for GS3-valves in carbon steel						max. admissible pressures for GS3-valves in carbon steel					
	100°C	150°C	200°C	250°C	300°C	350°C	100°C	150°C	200°C	250°C	300°C	350°C
15-50	40	40	40	40	40	40	40	40	40	40	40	40
65	40	40	40	40	40	40	40	40	40	37	32	32
80	40	40	40	40	40	40	36	34	33	26	22	19
100	33	33	33	33	33	33	33	31	30	24	20	17
125	23	23	23	23	23	23	22	21	19	16	13	11
150	16	16	16	16	16	16	16	15	14	11	9	8
200 (max PN 25)	16	16	15	13	12	11	8	7	6	5	4	3
250 (max PN 25)	10	9	9	8	7	6	5,7	5,4	5,1	4,1	3,4	2,9

Limitation for SFC-sliding discs: 300°C

### PN100

DN	Sliding unit: carbon/SFC - stainless steel, coated						Sliding unit: STN2					
	max. admissible pressures for GS3-valves in carbon steel						max. admissible pressures for GS3-valves in carbon steel					
	100°C	150°C	200°C	250°C	300°C	350°C	100°C	150°C	200°C	250°C	300°C	350°C
15 - 20	100	100	100	100	100	100	100	100	100	100	100	100
25	100	100	100	100	94	87	100	100	100	94	87	87
32	100	100	100	100	100	99	100	100	84	69	60	60
40	100	100	100	100	94	87	72	69	65	53	43	37
50	100	100	100	100	100	94	77	73	70	56	46	40
65	80	80	80	80	80	76	62	59	56	45	37	32
80	48	48	48	48	48	44	36	34	33	26	22	19

Limitation for SFC-sliding discs: 300°C

### ANSI150

DN	Sliding unit: carbon/SFC - stainless steel, coated								Sliding unit: STN2							
	max. admissible pressures for GS3-valves in carbon steel								max. admissible pressures for GS3-valves in carbon steel							
	38°C	50°C	100°C	150°C	200°C	250°C	300°C	350°C	38°C	50°C	100°C	150°C	200°C	250°C	300°C	350°C
15-125	19,6	19,2	17,7	15,8	13,8	12,1	10,2	8,4	19,6	19,2	17,7	15,8	13,8	12,1	10,2	8,4
150	16,0	16,0	16,0	15,8	13,8	12,1	10,2	8,4	16,2	16,2	16,2	15,4	13,8	11,8	9,7	8,0
200	16,0	16,0	16,0	15,8	13,8	12,1	10,2	8,4	10,5	10,0	8,3	7,6	6,9	5,5	4,5	3,9
250	10,5	10,5	10,5	9,9	9,4	8,4	7,4	6,0	5,7	5,7	5,7	5,4	5,1	4,1	3,4	2,6

Limitation for SFC-sliding discs: 300°C

### ANSI300

DN	Sliding unit: carbon/SFC - stainless steel, coated								Sliding unit: STN2							
	max. admissible pressures for GS3-valves in carbon steel								max. admissible pressures for GS3-valves in carbon steel							
	38°C	50°C	100°C	150°C	200°C	250°C	300°C	350°C	38°C	50°C	100°C	150°C	200°C	250°C	300°C	350°C
15-50	51,1	50,1	46,6	45,1	43,8	41,9	39,8	37,6	51,1	50,1	46,6	45,1	43,8	41,9	39,8	37,6
65	51,1	50,1	46,6	45,1	43,8	41,9	39,8	37,6	41,7	41,7	41,7	39,7	37,6	33,5	37,6	33,0
80	48,0	48,0	46,6	45,1	43,8	41,9	39,8	37,6	36,6	36,6	36,6	34,8	33,0	26,8	22,0	19,0
100	33,0	33,0	33,0	33,0	33,0	33,0	33,0	33,0	33,0	33,0	33,0	31,7	30,1	24,4	20,0	17,5
125	23,0	23,0	23,0	23,0	23,0	23,0	23,0	23,0	22,1	22,1	22,1	21,0	19,9	16,1	13,2	11,5
150	16,0	16,0	16,0	16,0	16,0	16,0	16,0	16,0	16,0	16,0	16,0	15,4	14,6	11,8	9,7	8,4
200	16,0	16,0	16,0	14,8	13,7	12,1	10,2	8,4	10,5	10,0	8,3	7,6	6,9	5,5	4,5	3,9

Limitation for SFC-sliding discs: 300°C

### ANSI600

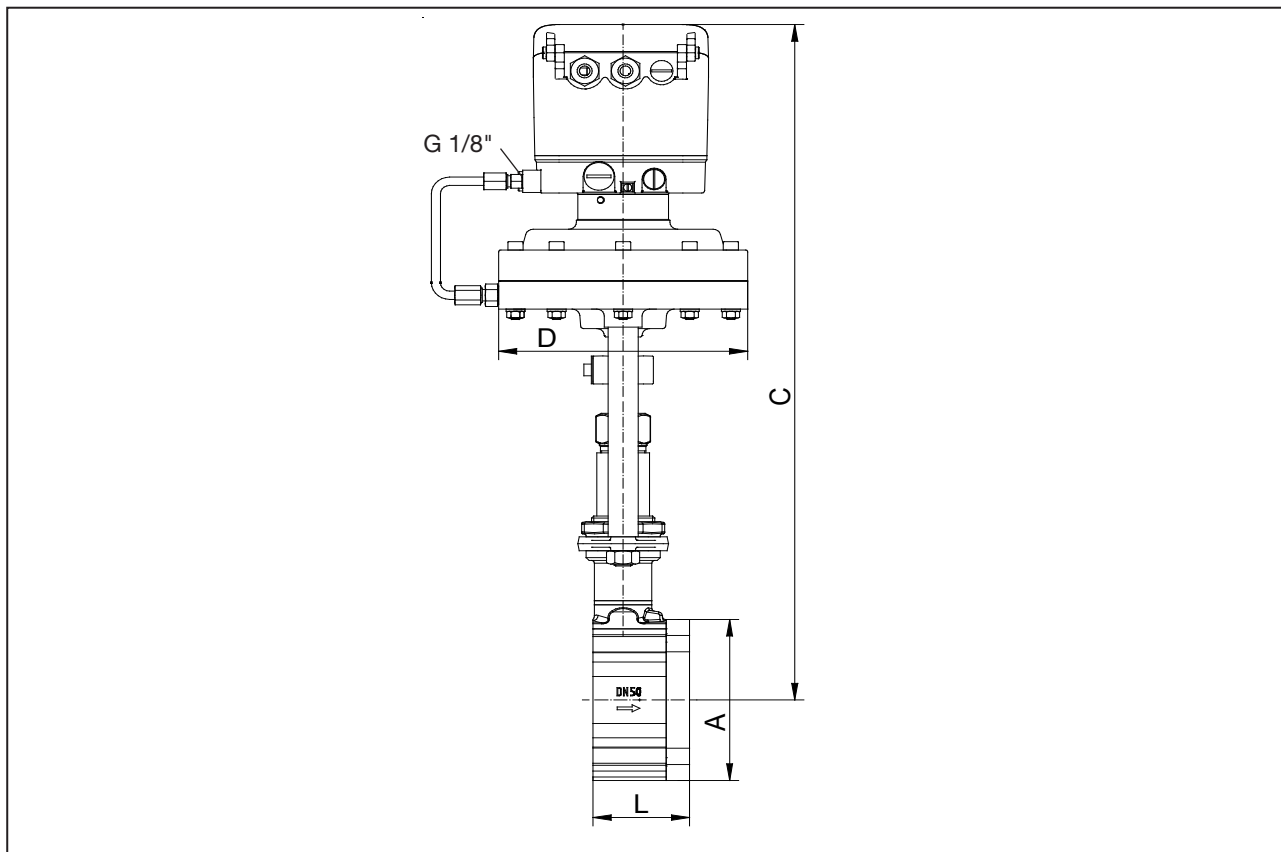
DN	Sliding unit: carbon/SFC - stainless steel, coated								Sliding unit: STN2							
	max. admissible pressures for GS3-valves in carbon steel								max. admissible pressures for GS3-valves in carbon steel							
	38°C	50°C	100°C	150°C	200°C	250°C	300°C	350°C	38°C	50°C	100°C	150°C	200°C	250°C	300°C	350°C
15-25	102,1	100,2	93,2	90,2	87,6	83,9	79,6	75,1	102,1	100,2	93,2	90,2	87,6	83,9	79,6	75,1
32	102,1	100,2	93,2	90,2	87,6	83,9	79,6	75,1	102,1	100,2	93,2	90,2	87,6	83,9	69,6	60,0
40	100,0	100,0	93,2	90,2	87,6	83,9	79,6	75,1	72,5	72,5	72,5	69,0	65,5	53,1	43,6	37,0
50	100,0	100,0	93,2	90,2	87,6	83,9	79,6	75,1	77,7	77,7	77,7	73,9	70,2	56,9	46,7	40,0
65	80,0	80,0	80,0	80,0	80,0	80,0	79,6	75,1	62,5	62,5	62,5	59,5	56,4	45,8	37,6	32,0
80	48,0	48,0	48,0	48,0	48,0	48,0	48,0	44,0	36,6	36,6	36,6	36,8	33,0	26,8	22,0	19,0

Limitation for SFC-sliding discs: 300°C

# Sliding Gate Valve 8021-GS3

with integrated positioner Type 8049

## Dimensions and Weights wafer-type construction



DN	Ø A	C*	Ø D for actuator				L	Stroke	Weight (kg) for actuator			
			D 125	D250	D 500	D 750			D 125	D 250	D500	D750
15	64	460	165	222	222	-	56	6	7,5	9,7	13,4	-
20	72	465	165	222	222	-	56	6	7,7	9,9	13,6	-
25	82	470	165	222	222	-	56	6	8,1	10,3	14,0	-
32	89	475	165	222	222	-	56	6	8,5	10,7	14,4	-
40	99	480	165	222	222	-	56	6	8,9	11,1	14,8	-
50	116	490	165	222	222	-	64	8	10,5	12,7	16,4	-
65	138	500	165	222	222	-	68	8	12,3	14,5	18,2	-
80	153	510	165	222	222	-	70	8	13,4	15,6	19,3	-
100	184	520	165	222	222	229	75	8,5	16,9	19,1	22,8	25,8
125	212	535	165	222	222	229	80	8,5	21,1	23,3	27,0	30,0
150	242	550	165	222	222	229	80	8,5	24,8	27,0	30,7	33,7
200	302	580	165	222	222	229	93	8,5	41,7	43,9	47,6	50,6
250	360	605	165	222	222	229	96	8,5	46,9	49,1	52,8	55,8

\* for actuator D500 +47,5mm  
for actuator D750 +121mm

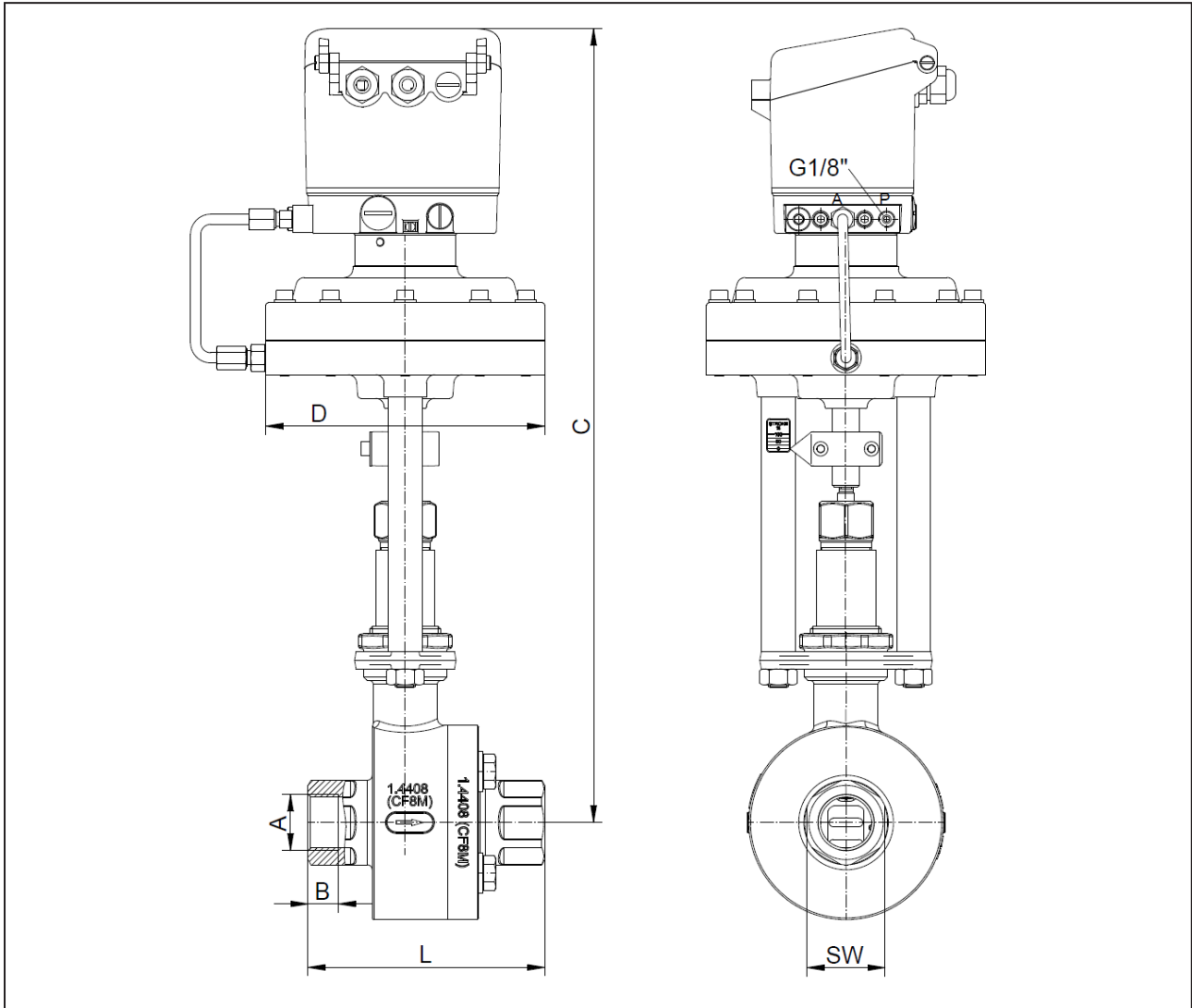
Dimensions in mm



# Sliding Gate Valve 8021-GS3

with integrated positioner Type 8049

## Dimensions and Weights with threaded connection



DN	A (G / NPT)	B		C	øD for actuator		L	SW	Stroke	Weight (kg) for actuator	
		G	NPT		D125	D250				D125	D250
15	1/2"	15	13,6	460	165	222	127	30	6	9,8	12
20	3/4"	15	14,1	465	165	222	127	38	6	10,7	12,9
25	1"	18	16,8	470	165	222	140	46	6	13,3	15,5
32	1 1/4"	18	17,3	475	165	222	140	56	6	14,3	16,5
40	1 1/2"	18	17,3	480	165	222	152	64	6	15,6	17,8
50	2"	18	17,7	490	165	222	152	74	8	18,3	20,5

Dimensions in mm

Text and pictures are not binding. We reserve the right, to alter the equipment.