

MODEL	PIPE SIZE BSPP OR NPT	HEIGHT		WIDTH		DEPTH		WEIGHT	
		mm	Inch	mm	Inch	mm	Inch	kg	lbs
CDAS HL 050	1/2"	1133	45	559	22	490	19	76	168
CDAS HL 055	1/2"	1313	52	559	22	490	19	84	185
CDAS HL 060	1/2"	1510	59	559	22	490	19	93	205
CDAS HL 065	1/2"	1660	65	559	22	490	19	100	220
CDAS HL 070	3/4"	2020	80	559	22	490	19	120	265

NOTE

PRIMARY DIMENSIONS IN MM.
ALTERNATE DIMENSIONS IN BRACKETS IN INCHES.

ECO No. 0381466 REV C

PLEASE CONSIDER THE ENVIRONMENT PRIOR TO PRINTING THIS DRAWING

DO NOT SCALE - IF IN DOUBT ASK

BASED ON BS 8888 DIMENSIONS IN MILLIMETRES

GENERAL TOLERANCES UNLESS OTHERWISE STATED

MACHINED DIMENSIONS
.XX ±0.13 UP TO 300 ±0.3
.X ±0.25 OVER 300 TO 600 ±0.5

POSITIONAL TOLERANCE
PLAIN HOLES Ø0.13
TAPPED HOLES Ø0.26
CONCENTRICITY TOLERANCE 0.13 TIR

MACHINED SURFACES INDICATED THUS
SURFACE TEXTURE TO BS 1134
VALUES IN MICROMETRES

ANGLES ±1/2° (EXCEPT CHAMFERS)

METRIC THREADS TO BS 3643 MED. CLASS
EXTERNAL 6g INTERNAL 6H
PIPE THREADS
PRESSURE TIGHT TO BS 21

SHEET METALWORK & FABRICATIONS
SHEET METALWORK DIMENSIONS
UP TO 500 ±0.5
OVER 500 TO 1000 ±1.0
OVER 1000 ±1.5

FABRICATED PARTS DIMENSIONS
UP TO 500 ±2
OVER 500 TO 1000 ±4
OVER 1000 ±6

POSITIONAL TOLERANCE FOR PLAIN & TAPPED HOLES
UP TO 500 Ø1.0
OVER 500 Ø2.0

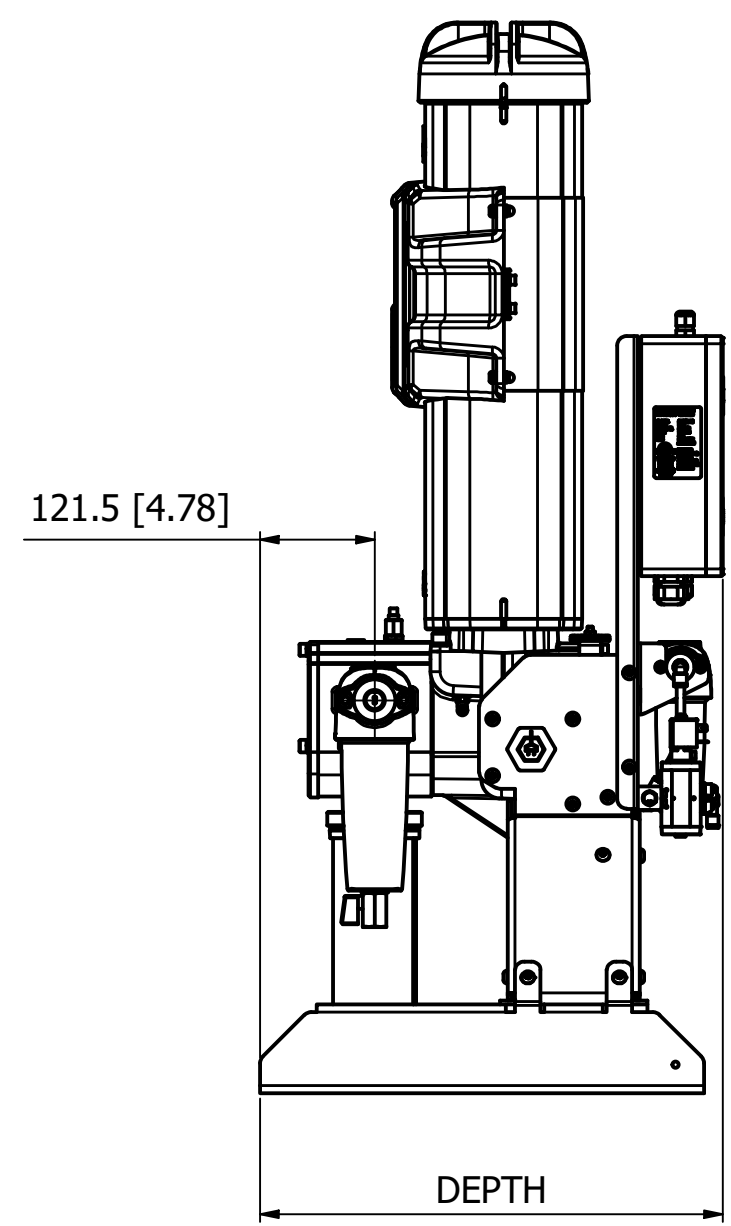
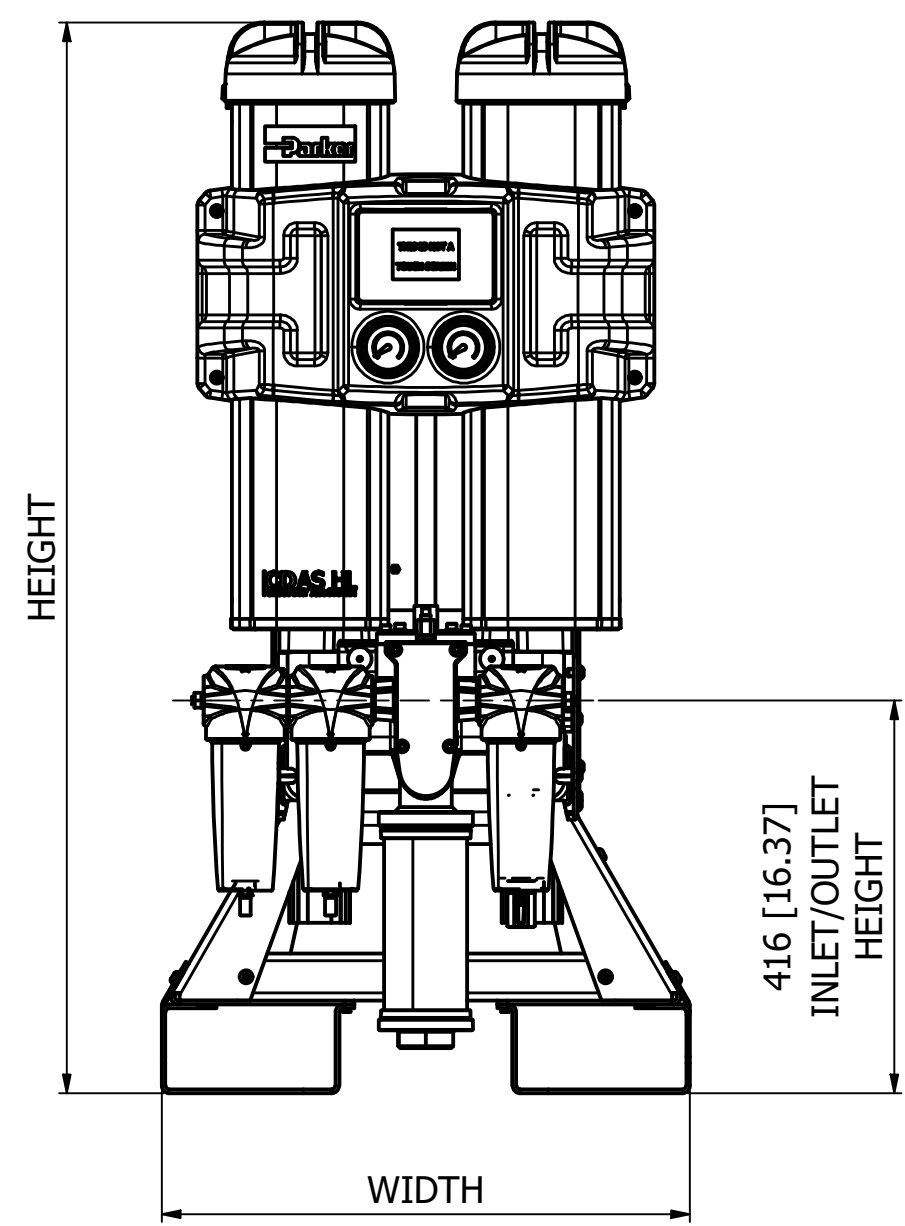
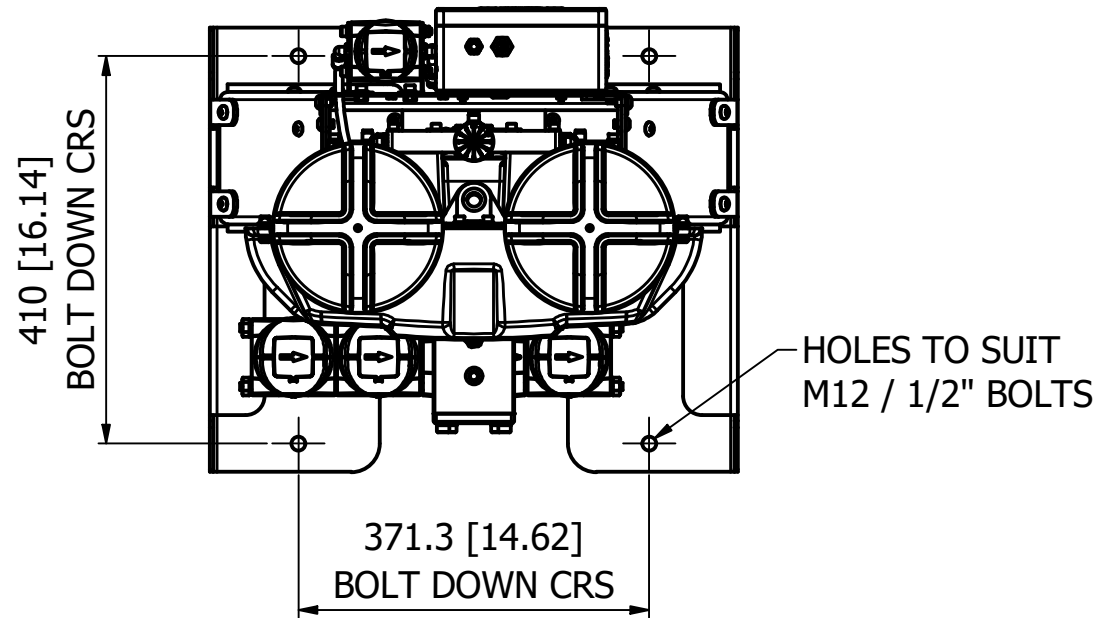


Parker Hannifin Manufacturing Ltd
Filtration & Separation Division
Dukesway, Team Valley
Gateshead, Tyne & Wear
England, NE11 0PZ
TEL +44 (0)191 402 9000
FAX +44 (0)191 482 6296
www.parker.com/dhfn

THIS DOCUMENT IS COPYRIGHT AND IS THE PROPERTY OF
PARKER HANNIFIN LTD. IT MUST NOT BE COPIED IN
WHOLE OR PART, USED FOR MANUFACTURE OF, OR
OTHERWISE DISCLOSED WITHOUT PRIOR
WRITTEN CONSENT OF THE COMPANY

© 2016 **A3**

DRG No.	SHEET
101-10499	1 / 1



MATERIAL GEN. ARRT.	SCALE 1:8		DRAWN MG	CHECKED EJ	APPROVED GU
			DATE 10/01/2017	DATE 13/01/2017	DATE 13/01/2017

TITLE
**DIMENSIONAL DRG CDAS
HL 050-070**