

Compressed Air Dryers

Medium Flow Dryers

CDAS HL 050 - 085

OFAS HL 050 - 085

FBP HL 050 - 085

CDAS HL ATEX 050 - 085















**Preventative Maintenance,
Breakdown Spares and Repair Kits Guide**

(EN)

CLEANING

Clean the equipment with a damp cloth only and avoid excessive moisture around any electrical sockets. If required you may use a mild detergent, however do not use abrasives or solvents as they may damage the warning labels on the equipment.

SERVICE INTERVALS

Description of Service Required		Service Recommended Every:					
Component	Operation	Daily	Weekly	3 Months	6 Months	12 Months	60 Months
Dryer	Check POWER ON and STATUS / FAULT indicators.						
Dryer	Check for air leaks.						
Dryer	Check the pressure gauges during purging for excessive back pressure.						
Dryer	Check the condition of electrical supply cables and conduits.						
Dryer	Check for cyclic operation.						
Dryer	Replace the exhaust silencers.						
Filtration	Replace the inlet and outlet filters, and service drains.						
Dryer	Replace / Calibrate dewpoint transmitter						
Dryer	Replace the outlet check valves						
Dryer	Replace the inlet, outlet and control valves						
Dryer	Replace the Desiccant Cartridges.						
Dryer	Replace the Carbon Cartridges (OFAS / FBP Range only).						

Key

	Check		Recommended Service
---	-------	---	---------------------

PREVENTATIVE MAINTENANCE KITS - CDAS HL 050 -085

CATALOGUE NUMBER	DESCRIPTION	12	24	36	48	60	ORDER QTY
M12.FSK.0002	12 Month Filter Service Kit (-20 and -40 dryers)	✓	✓	✓	✓	✓	CDAS HL 050 - CDAS HL 055 (x1)
M12.FSK.1002	12 Month Filter Service Kit (-70 dryer)	✓	✓	✓	✓	✓	CDAS HL 050 - CDAS HL 055 (x1)
M12.FSK.0003	12 Month Filter Service Kit (-20 and -40 dryers)	✓	✓	✓	✓	✓	CDAS HL 060 - CDAS HL 065 (x1)
M12.FSK.1003	12 Month Filter Service Kit (-70 dryer)	✓	✓	✓	✓	✓	CDAS HL 060 - CDAS HL 065 (x1)
M12.FSK.0004	12 Month Filter Service Kit (-20 and -40 dryers)	✓	✓	✓	✓	✓	CDAS HL 070 - CDAS HL 080 (x1)
M12.FSK.1004	12 Month Filter Service Kit (-70 dryer)	✓	✓	✓	✓	✓	CDAS HL 070 - CDAS HL 080 (x1)
M12.FSK.0005	12 Month Filter Service Kit (-20 and -40 dryers)	✓	✓	✓	✓	✓	CDAS HL 085 (x1)
M12.FSK.1005	12 Month Filter Service Kit (-70 dryer)	✓	✓	✓	✓	✓	CDAS HL 085 (x1)
60 Month Filter Service Kits							
M60.DSK.0009	60 Month Filter Service Kit (-20 and -40 dryers)	✗	✗	✗	✗	✓	CDAS HL 050 (x1)
M60.DSK.1009	60 Month Filter Service Kit (-70 dryer)	✗	✗	✗	✗	✓	CDAS HL 050 (x1)
M60.DSK.0010	60 Month Filter Service Kit (-20 and -40 dryers)	✗	✗	✗	✗	✓	CDAS HL 055 (x1)
M60.DSK.1010	60 Month Filter Service Kit (-70 dryer)	✗	✗	✗	✗	✓	CDAS HL 055 (x1)
M60.DSK.0011	60 Month Filter Service Kit (-20 and -40 dryers)	✗	✗	✗	✗	✓	CDAS HL 060 (x1)
M60.DSK.1011	60 Month Filter Service Kit (-70 dryer)	✗	✗	✗	✗	✓	CDAS HL 060 (x1)
M60.DSK.0012	60 Month Filter Service Kit (-20 and -40 dryers)	✗	✗	✗	✗	✓	CDAS HL 065 (x1)
M60.DSK.1012	60 Month Filter Service Kit (-70 dryer)	✗	✗	✗	✗	✓	CDAS HL 065 (x1)
M60.DSK.0013	60 Month Filter Service Kit (-20 and -40 dryers)	✗	✗	✗	✗	✓	CDAS HL 070 (x1)
M60.DSK.1013	60 Month Filter Service Kit (-70 dryer)	✗	✗	✗	✗	✓	CDAS HL 070 (x1)
M60.DSK.0014	60 Month Filter Service Kit (-20 and -40 dryers)	✗	✗	✗	✗	✓	CDAS HL 075 (x1)
M60.DSK.1014	60 Month Filter Service Kit (-70 dryer)	✗	✗	✗	✗	✓	CDAS HL 075 (x1)
M60.DSK.0015	60 Month Filter Service Kit (-20 and -40 dryers)	✗	✗	✗	✗	✓	CDAS HL 080 (x1)
M60.DSK.1015	60 Month Filter Service Kit (-70 dryer)	✗	✗	✗	✗	✓	CDAS HL 080 (x1)
M60.DSK.0016	60 Month Filter Service Kit (-20 and -40 dryers)	✗	✗	✗	✗	✓	CDAS HL 085 (x1)
M60.DSK.1016	60 Month Filter Service Kit (-70 dryer)	✗	✗	✗	✗	✓	CDAS HL 085 (x1)

PREVENTATIVE MAINTENANCE KITS - OFAS HL 050 - 085

CATALOGUE NUMBER	DESCRIPTION	12	24	36	48	60	ORDER QTY
M12.FSK.0011	12 Month Filter Service Kit (-20 and -40 dryers)	✓	✓	✓	✓	✓	OFAS HL 050 - OFAS HL 055 (x1)
M12.FSK.1011	12 Month Filter Service Kit (-70 dryer)	✓	✓	✓	✓	✓	OFAS HL 050 - OFAS HL 055 (x1)
M12.FSK.0012	12 Month Filter Service Kit (-20 and -40 dryers)	✓	✓	✓	✓	✓	OFAS HL 060 - OFAS HL 065 (x1)
M12.FSK.1012	12 Month Filter Service Kit (-70 dryer)	✓	✓	✓	✓	✓	OFAS HL 060 - OFAS HL 065 (x1)
M12.FSK.0013	12 Month Filter Service Kit (-20 and -40 dryers)	✓	✓	✓	✓	✓	OFAS HL 070 (x1)
M12.FSK.1013	12 Month Filter Service Kit (-70 dryer)	✓	✓	✓	✓	✓	OFAS HL 070 (x1)
M12.FSK.0014	12 Month Filter Service Kit (-20 and -40 dryers)	✓	✓	✓	✓	✓	OFAS HL 075 - OFAS HL 080 (x1)
M12.FSK.1014	12 Month Filter Service Kit (-70 dryer)	✓	✓	✓	✓	✓	OFAS HL 075 - OFAS HL 080 (x1)
M12.FSK.1015	12 Month Filter Service Kit (-20 and -40 dryers)	✓	✓	✓	✓	✓	OFAS HL 085 (x1)
M12.FSK.1015	12 Month Filter Service Kit (-70 dryer)	✓	✓	✓	✓	✓	OFAS HL 085 (x1)
60 Month Filter Service Kits							
M60.DSK.0009	60 Month Filter Service Kit (-20 and -40 dryers)	✗	✗	✗	✗	✓	OFAS HL 050 (x1)
M60.DSK.1009	60 Month Filter Service Kit (-70 dryer)	✗	✗	✗	✗	✓	OFAS HL 050 (x1)
M60.DSK.0010	60 Month Filter Service Kit (-20 and -40 dryers)	✗	✗	✗	✗	✓	OFAS HL 055 (x1)
M60.DSK.1010	60 Month Filter Service Kit (-70 dryer)	✗	✗	✗	✗	✓	OFAS HL 055 (x1)
M60.DSK.0011	60 Month Filter Service Kit (-20 and -40 dryers)	✗	✗	✗	✗	✓	OFAS HL 060 (x1)
M60.DSK.1011	60 Month Filter Service Kit (-70 dryer)	✗	✗	✗	✗	✓	OFAS HL 060 (x1)
M60.DSK.0012	60 Month Filter Service Kit (-20 and -40 dryers)	✗	✗	✗	✗	✓	OFAS HL 065 (x1)
M60.DSK.1012	60 Month Filter Service Kit (-70 dryer)	✗	✗	✗	✗	✓	OFAS HL 065 (x1)
M60.DSK.0013	60 Month Filter Service Kit (-20 and -40 dryers)	✗	✗	✗	✗	✓	OFAS HL 070 (x1)
M60.DSK.1013	60 Month Filter Service Kit (-70 dryer)	✗	✗	✗	✗	✓	OFAS HL 070 (x1)
M60.DSK.0014	60 Month Filter Service Kit (-20 and -40 dryers)	✗	✗	✗	✗	✓	OFAS HL 075 (x1)
M60.DSK.1014	60 Month Filter Service Kit (-70 dryer)	✗	✗	✗	✗	✓	OFAS HL 075 (x1)
M60.DSK.0015	60 Month Filter Service Kit (-20 and -40 dryers)	✗	✗	✗	✗	✓	OFAS HL 080 (x1)
M60.DSK.1015	60 Month Filter Service Kit (-70 dryer)	✗	✗	✗	✗	✓	OFAS HL 080 (x1)
M60.DSK.0016	60 Month Filter Service Kit (-20 and -40 dryers)	✗	✗	✗	✗	✓	OFAS HL 085 (x1)
M60.DSK.1016	60 Month Filter Service Kit (-70 dryer)	✗	✗	✗	✗	✓	OFAS HL 085 (x1)

PREVENTATIVE MAINTENANCE KITS - FBP HL 050 - 085

CATALOGUE NUMBER	DESCRIPTION	12	24	36	48	60	ORDER QTY
M12.FSK.0111	12 Month Filter Service Kit (-20 and -40 dryers)	✓	✓	✓	✓	✓	FBP HL 050 - FBP HL 055 (x1)
M12.FSK.1111	12 Month Filter Service Kit (-70 dryer)	✓	✓	✓	✓	✓	FBP HL 050 - FBP HL 055 (x1)
M12.FSK.0112	12 Month Filter Service Kit (-20 and -40 dryers)	✓	✓	✓	✓	✓	FBP HL 060 - FBP HL 065 (x1)
M12.FSK.1112	12 Month Filter Service Kit (-70 dryer)	✓	✓	✓	✓	✓	FBP HL 060 - FBP HL 065 (x1)
M12.FSK.0113	12 Month Filter Service Kit (-20 and -40 dryers)	✓	✓	✓	✓	✓	FBP HL 070 (x1)
M12.FSK.1113	12 Month Filter Service Kit (-70 dryer)	✓	✓	✓	✓	✓	FBP HL 070 (x1)
M12.FSK.0114	12 Month Filter Service Kit (-20 and -40 dryers)	✓	✓	✓	✓	✓	FBP HL 075 - FBP HL 080 (x1)
M12.FSK.1114	12 Month Filter Service Kit (-70 dryer)	✓	✓	✓	✓	✓	FBP HL 075 - FBP HL 080 (x1)
M12.FSK.1115	12 Month Filter Service Kit (-20 and -40 dryers)	✓	✓	✓	✓	✓	FBP HL 085 (x1)
M12.FSK.1115	12 Month Filter Service Kit (-70 dryer)	✓	✓	✓	✓	✓	FBP HL 085 (x1)
60 Month Filter Service Kits							
M60.DSK.0009	60 Month Filter Service Kit (-20 and -40 dryers)	✗	✗	✗	✗	✓	FBP HL 050 (x1)
M60.DSK.1009	60 Month Filter Service Kit (-70 dryer)	✗	✗	✗	✗	✓	FBP HL 050 (x1)
M60.DSK.0010	60 Month Filter Service Kit (-20 and -40 dryers)	✗	✗	✗	✗	✓	FBP HL 055 (x1)
M60.DSK.1010	60 Month Filter Service Kit (-70 dryer)	✗	✗	✗	✗	✓	FBP HL 055 (x1)
M60.DSK.0011	60 Month Filter Service Kit (-20 and -40 dryers)	✗	✗	✗	✗	✓	FBP HL 060 (x1)
M60.DSK.1011	60 Month Filter Service Kit (-70 dryer)	✗	✗	✗	✗	✓	FBP HL 060 (x1)
M60.DSK.0012	60 Month Filter Service Kit (-20 and -40 dryers)	✗	✗	✗	✗	✓	FBP HL 065 (x1)
M60.DSK.1012	60 Month Filter Service Kit (-70 dryer)	✗	✗	✗	✗	✓	OFAS HL 065 (x1)
M60.DSK.0013	60 Month Filter Service Kit (-20 and -40 dryers)	✗	✗	✗	✗	✓	FBP HL 070 (x1)
M60.DSK.1013	60 Month Filter Service Kit (-70 dryer)	✗	✗	✗	✗	✓	FBP HL 070 (x1)
M60.DSK.0014	60 Month Filter Service Kit (-20 and -40 dryers)	✗	✗	✗	✗	✓	FBP HL 075 (x1)
M60.DSK.1014	60 Month Filter Service Kit (-70 dryer)	✗	✗	✗	✗	✓	FBP HL 075 (x1)
M60.DSK.0015	60 Month Filter Service Kit (-20 and -40 dryers)	✗	✗	✗	✗	✓	FBP HL 080 (x1)
M60.DSK.1015	60 Month Filter Service Kit (-70 dryer)	✗	✗	✗	✗	✓	FBP HL 080 (x1)
M60.DSK.0016	60 Month Filter Service Kit (-20 and -40 dryers)	✗	✗	✗	✗	✓	FBP HL 085 (x1)
M60.DSK.1016	60 Month Filter Service Kit (-70 dryer)	✗	✗	✗	✗	✓	FBP HL 085 (x1)

PREVENTATIVE MAINTENANCE KITS - CDAS HL ATEX 050 - 085

CATALOGUE NUMBER	DESCRIPTION	12	24	36	48	60	ORDER QTY
M12.FSK.0202	12 Month Filter Service Kit	✓	✓	✓	✓	✓	CDAS HL ATEX 050 - 055 (x1)
M12.FSK.0203	12 Month Filter Service Kit	✓	✓	✓	✓	✓	CDAS HL ATEX 060 - 065 (x1)
M12.FSK.0204	12 Month Filter Service Kit	✓	✓	✓	✓	✓	CDAS HL ATEX 070 - 080 (x1)
M12.FSK.0205	12 Month Filter Service Kit	✓	✓	✓	✓	✓	CDAS HL ATEX 085 (x1)
60 Month Filter Service Kits							
M60.DSK.0209	60 Month Filter Service Kit (-20 and -40 dryers)	✗	✗	✗	✗	✓	CDAS HL ATEX 050 (x1)
M60.DSK.1209	60 Month Filter Service Kit (-70 dryer)	✗	✗	✗	✗	✓	CDAS HL ATEX 050 (x1)
M60.DSK.0210	60 Month Filter Service Kit (-20 and -40 dryers)	✗	✗	✗	✗	✓	CDAS HL ATEX 055 (x1)
M60.DSK.1210	60 Month Filter Service Kit (-70 dryer)	✗	✗	✗	✗	✓	CDAS HL ATEX 055 (x1)
M60.DSK.0211	60 Month Filter Service Kit (-20 and -40 dryers)	✗	✗	✗	✗	✓	CDAS HL ATEX 060 (x1)
M60.DSK.1211	60 Month Filter Service Kit (-70 dryer)	✗	✗	✗	✗	✓	CDAS HL ATEX 060 (x1)
M60.DSK.0212	60 Month Filter Service Kit (-20 and -40 dryers)	✗	✗	✗	✗	✓	CDAS HL ATEX 065 (x1)
M60.DSK.1212	60 Month Filter Service Kit (-70 dryer)	✗	✗	✗	✗	✓	CDAS HL ATEX 065 (x1)
M60.DSK.0213	60 Month Filter Service Kit (-20 and -40 dryers)	✗	✗	✗	✗	✓	CDAS HL ATEX 070 (x1)
M60.DSK.1213	60 Month Filter Service Kit (-70 dryer)	✗	✗	✗	✗	✓	CDAS HL ATEX 070 (x1)
M60.DSK.0214	60 Month Filter Service Kit (-20 and -40 dryers)	✗	✗	✗	✗	✓	CDAS HL ATEX 075 (x1)
M60.DSK.1214	60 Month Filter Service Kit (-70 dryer)	✗	✗	✗	✗	✓	CDAS HL ATEX 075 (x1)
M60.DSK.0215	60 Month Filter Service Kit (-20 and -40 dryers)	✗	✗	✗	✗	✓	CDAS HL ATEX 080 (x1)
M60.DSK.1215	60 Month Filter Service Kit (-70 dryer)	✗	✗	✗	✗	✓	CDAS HL ATEX 080 (x1)
M60.DSK.0216	60 Month Filter Service Kit (-20 and -40 dryers)	✗	✗	✗	✗	✓	CDAS HL ATEX 085 (x1)
M60.DSK.1216	60 Month Filter Service Kit (-70 dryer)	✗	✗	✗	✗	✓	CDAS HL ATEX 085 (x1)

PM KIT CONTENTS - CDAS HL 050 - 085

CDAS HL -20°C PDP / -40°C PDP dryers



CATALOGUE NO'S	DESCRIPTION	CONTENTS
M12.FSK.0002 M12.FSK.0003 M12.FSK.0004 M12.FSK.0005	Kit: 12 month service	AO grade filter elemens (x2) AA grade filter elements (x2) Filter Drains (x3) Silencer element (x1) Parker Dewpoint Sensor (x1) Outlet check ball (x1) Fixed orifice for hygrometer housing (x1) Horseshoe spacer (x1) O-rings (x4)

CDAS HL -70°C PDP dryers



CATALOGUE NO'S	DESCRIPTION	CONTENTS
M12.FSK.1002 M12.FSK.1003 M12.FSK.1004 M12.FSK.1005	Kit: 12 month service	AO grade filter elemens (x2) AA grade filter elements (x2) Filter Drains (x3) Silencer element (x1) Dewpoint hygrometer transmitter (x1) Outlet check ball (x1) Fixed orifice for hygrometer housing (x1) Horseshoe spacer (x1) O-rings (x4)

PM KIT CONTENTS - OFAS HL 050 - 085

OFAS HL -20°C PDP / -40°C PDP dryers



CATALOGUE NO'S	DESCRIPTION	CONTENTS
M12.FSK.0011 M12.FSK.0012 M12.FSK.0013 M12.FSK.0014 M12.FSK.0015	Kit: 12 month service	AO grade filter elemens (x2) AA grade filter elements (x2) Filter Drains (x3) Silencer element (x1) Parker Dewpoint Sensor (x1) Carbon cartridge (x1) Outlet check ball (x1) Fixed orifice for hygrometer housing (x1) Horseshoe spacer (x1) O-rings (x4) Taper drift tool for carbon cartridge (x1)

OFAS HL -70°C PDP dryers



CATALOGUE NO'S	DESCRIPTION	CONTENTS
M12.FSK.1011 M12.FSK.1012 M12.FSK.1013 M12.FSK.1014 M12.FSK.1015	Kit: 12 month service	AO grade filter elemens (x2) AA grade filter elements (x2) Filter Drains (x3) Silencer element (x1) Dewpoint hygrometer transmitter (x1) Carbon cartridge (x1) Outlet check ball (x1) Fixed orifice for hygrometer housing (x1) Horseshoe spacer (x1) O-rings (x4) Taper drift tool for carbon cartridge (x1)

PM KIT CONTENTS - FBP HL 050 - 085 UPGRADE (12 Month service kit including hygrometer upgrade kit)

FBP HL -20°C PDP / -40°C PDP dryers



CATALOGUE NO'S	DESCRIPTION	CONTENTS
M12.FSK.0111 M12.FSK.0112 M12.FSK.0113 M12.FSK.0114 M12.FSK.0115	Kit: 12 month service	AO grade filter elements (x2) AA grade filter elements (x3) Filter Drains (x3) Silencer element (x1) Parker Dewpoint Sensor (x1) Carbon Cartridge (x1) Outlet check ball (x1) Horseshoe spacer (x1) O-rings (x3) Taper drift tool for carbon cartridge (x1)

FBP HL -70°C PDP dryers



CATALOGUE NO'S	DESCRIPTION	CONTENTS
M12.FSK.1111 M12.FSK.1112 M12.FSK.1113 M12.FSK.1114 M12.FSK.1115	Kit: 12 month service	AO grade filter elements (x2) AA grade filter elements (x3) Filter Drains (x3) Silencer element (x1) Dewpoint hygrometer transmitter (x1) Carbon Cartridge (x1) Outlet check ball (x1) Fixed orifice for hygrometer housing (x1) Horseshoe spacer (x1) O-rings (x3) Taper drift tool for carbon cartridge (x1)

PM KIT CONTENTS - CDAS HL ATEX 050 - 085

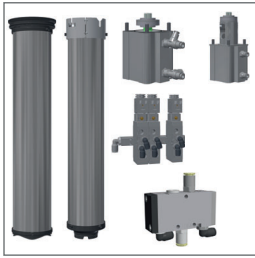
CDAS HL / OFAS HL / FBP HL -20°C PDP / -40°C PDP dryers



CATALOGUE NO'S	DESCRIPTION	CONTENTS
M12.FSK.0202 M12.FSK.0203 M12.FSK.0204 M12.FSK.0205	Kit: 12 month service	Desiccant cartridges Inlet valves (x2) Exhaust valve (x1) Control valve (x1) QRV valve (x1) O-rings (x4)

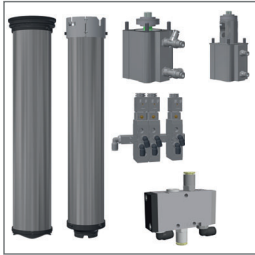
PM KIT CONTENTS - CDAS HL / OFAS HL / FBP HL 050 - 085

CDAS HL / OFAS HL / FBP HL -20°C PDP / -40°C PDP dryers



CATALOGUE NO'S	DESCRIPTION	CONTENTS
M60.DSK.0009	Kit: 60 month service	Desiccant cartridges
M60.DSK.0010		Inlet valves (x2)
M60.DSK.0011		Exhaust valve (x1)
M60.DSK.0012		Control valve (x1)
M60.DSK.0013		QRV valve (x1)
M60.DSK.0014		O-rings (x4)
M60.DSK.0015		
M60.DSK.0016		

CDAS HL / OFAS HL / FBP HL -70°C PDP

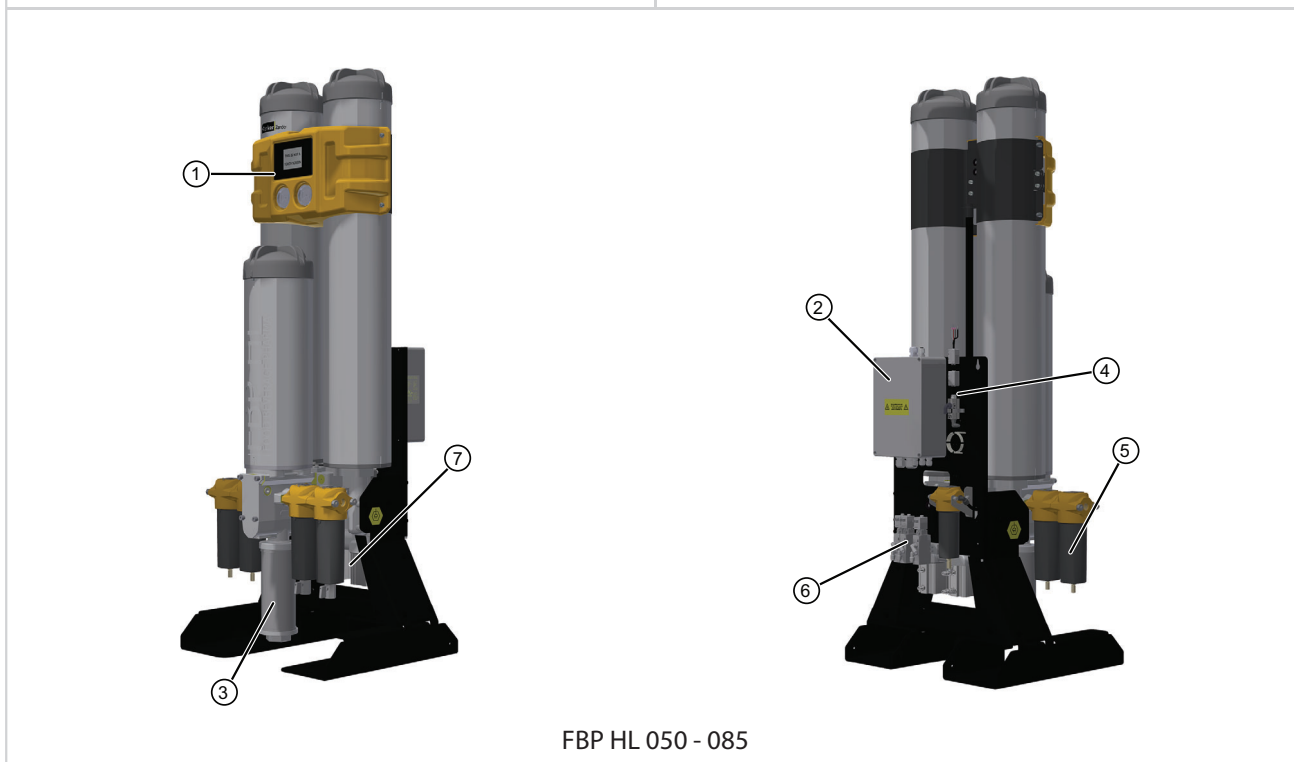
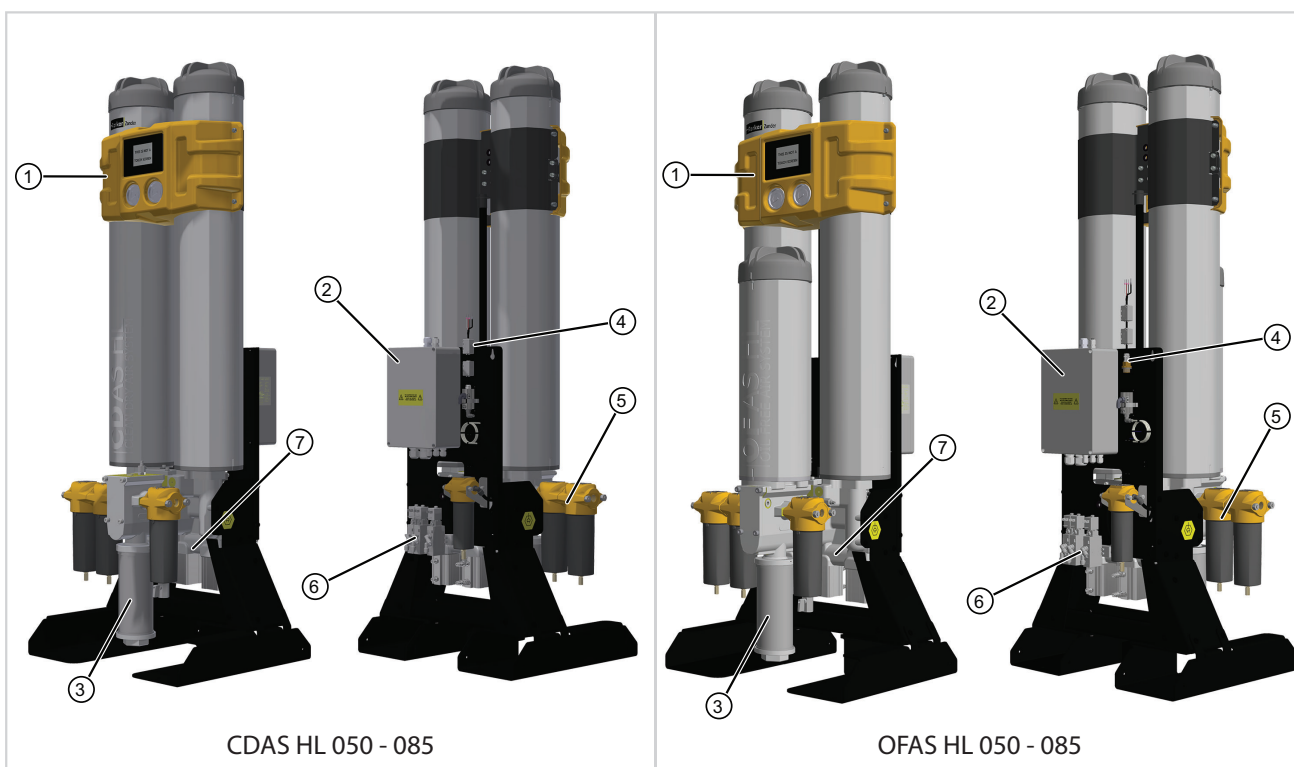


CATALOGUE NO'S	DESCRIPTION	CONTENTS
M60.DSK.1009	Kit: 60 month service	Desiccant cartridges
M60.DSK.1010		Inlet valves (x2)
M60.DSK.1011		Exhaust valve (x1)
M60.DSK.1012		Control valve (x1)
M60.DSK.1013		QRV valve (x1)
M60.DSK.1014		O-rings (x4)
M60.DSK.1015		
M60.DSK.1016		



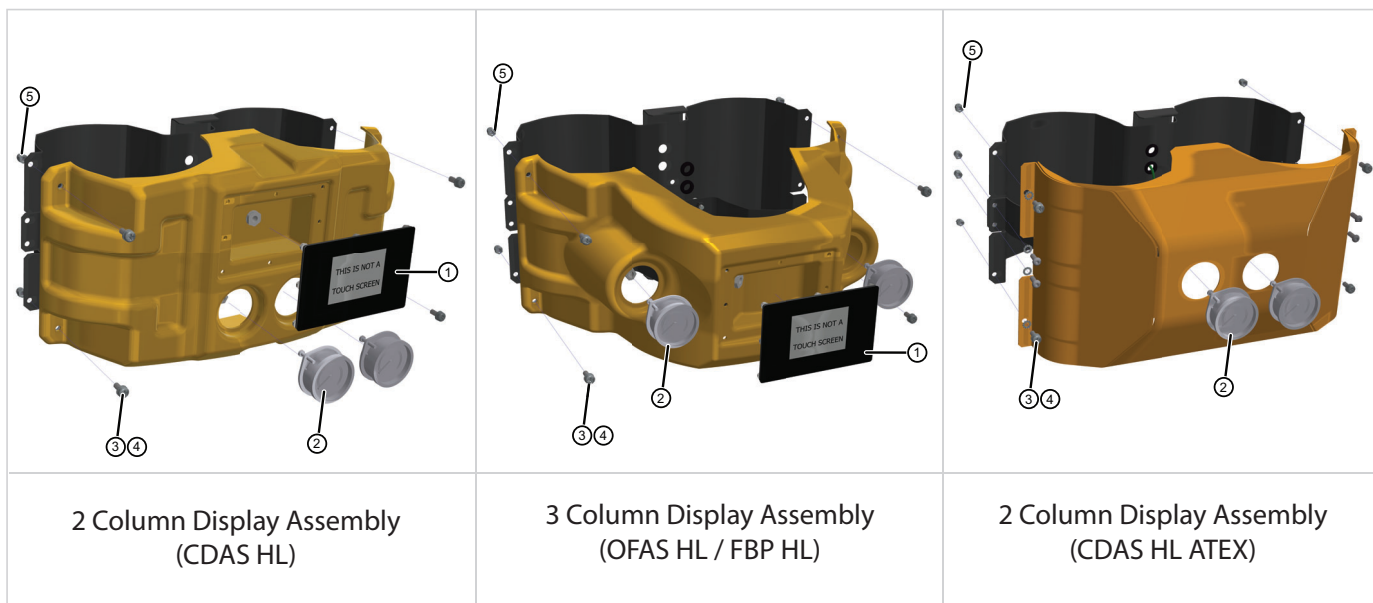
BREAKDOWN SPARES

BREAKDOWN SPARES - CDAS HL / OFAS HL / FBP HL 050 - 085



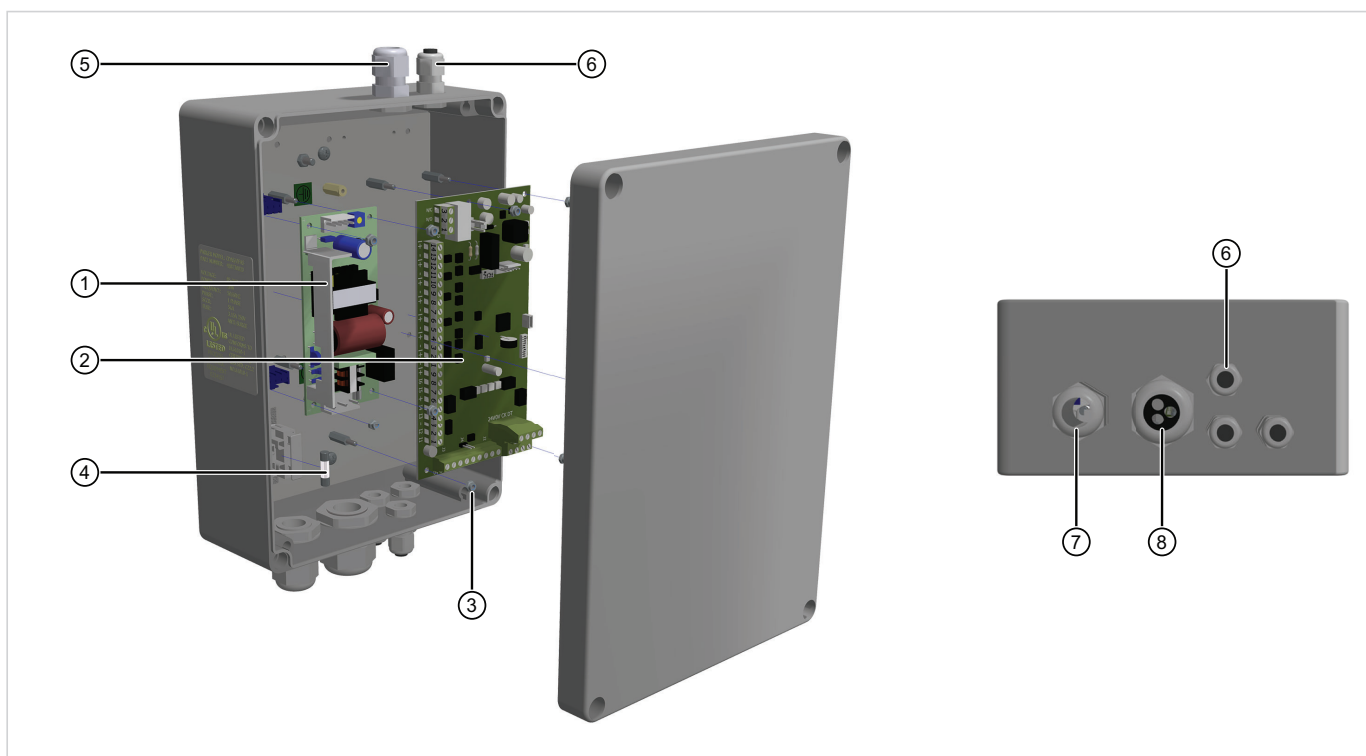
REFERENCE NO.	DESCRIPTION
1	Front Facia Assembly
2	Control Box
3	Silencer
4	Parker Dewpoint Sensor
5	Filtration
6	Control Valve
7	Valve Block Assembly

DISPLAY ASSEMBLIES



REFERENCE NO.	KIT NUMBER	DESCRIPTION	KIT QTY	COMMENTS
1	S308730000	Repair Kit - LED Display assembly	1	-
2	R274004300	Repair Kit - Pressure gauge panel mounted	2	-
3	-	M6 x 16 Pozi Pan Head Screw - Zinc Plated	-	Item to be sourced locally
4	-	M6 Washer - Zinc Plated	-	Item to be sourced locally
5	-	M6 Dome Nut - Zinc Plated	-	Item to be sourced locally

CONTROL BOX ASSEMBLY



REFERENCE NO.	KIT NUMBER	DESCRIPTION	KIT QTY	COMMENTS
1	R278730254	Repair Kit - Power Supply CDAS HL/OFAS HL/FBP HL 050 - 085	1	-
2	S278730300	Repair Kit - CDAS HL/OFAS HL/FBP HL 050 - 085 Controller	2	-
3	-	M3 Pre Tq Nut Non Met - BZP	-	Item to be sourced locally
4	-	Fuse 5x20 Anti Surge 3.15A 250VAC	-	Item to be sourced locally
5	-	M16 x 1.5 Cable Gland	-	Item to be sourced locally
6	-	M12 x 1.5 Cable Gland	-	Item to be sourced locally
7	-	PG13.5 Cable Gland	-	Item to be sourced locally
8	-	M25 x 1.5 Cable Gland	-	Item to be sourced locally

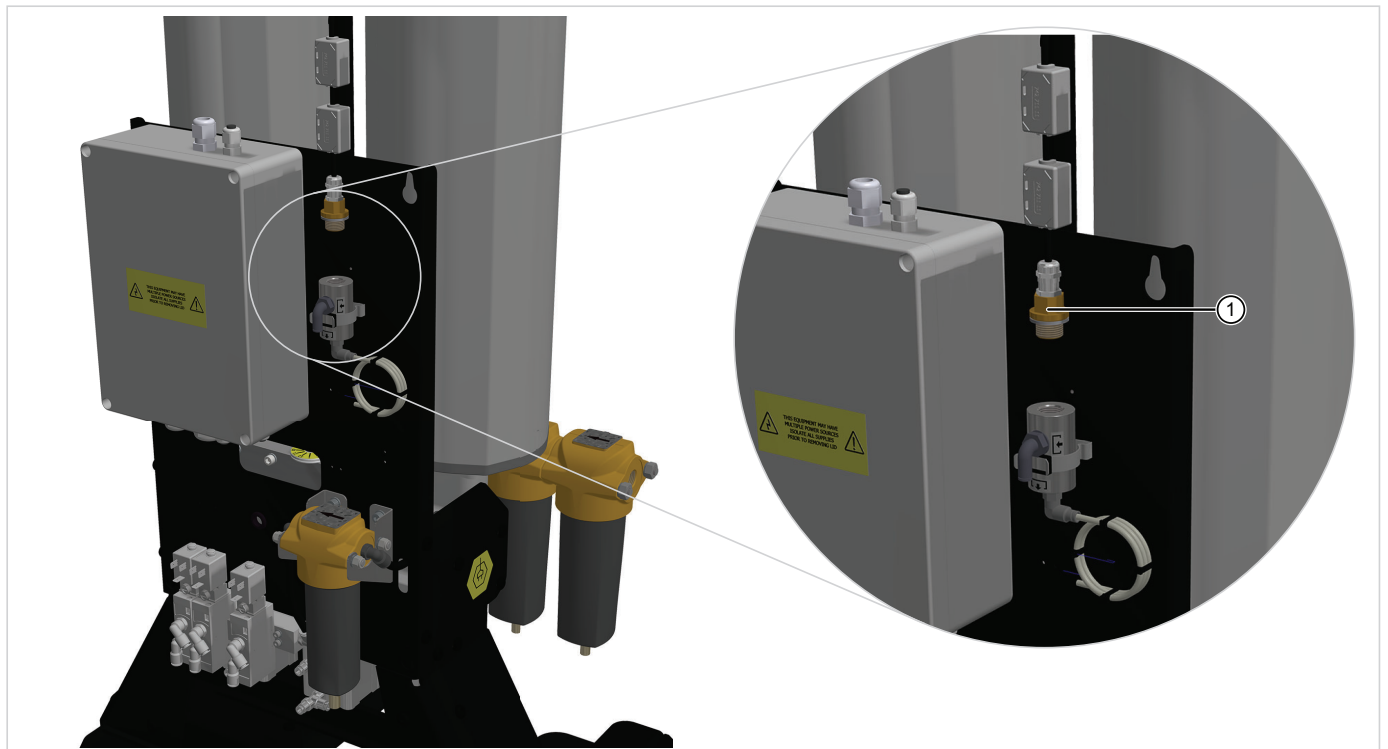
DEWPOINT SENSOR TYPE BY DRYER VARIANT

Dryer Model	Pressure Dewpoint	Dewpoint Sensor Type	Replacement Sensor Kit
CDAS HL 050 - 085 OFAS HL 050 - 085	-20°C / -40°C PDP	PDS Sensor (Parker Dewpoint Sensor)	S308730001
CDAS HL 050 - 085 OFAS HL 050 - 085	-70C PDP	Hygrometer Sensor	608203580
FBP HL 050 - 085 From June 2022	-40°C / -70°C PDP	Hygrometer Sensor	608203580
FBP HL 050 - 085 Up to June 2022	-70C PDP	Hygrometer Sensor	608203580
FBP HL 050 - 085 Up to June 2022	-20°C / -40°C PDP	PDS Sensor (Parker Dewpoint Sensor)	F458730110 then 608203580 annually

Important Notes:

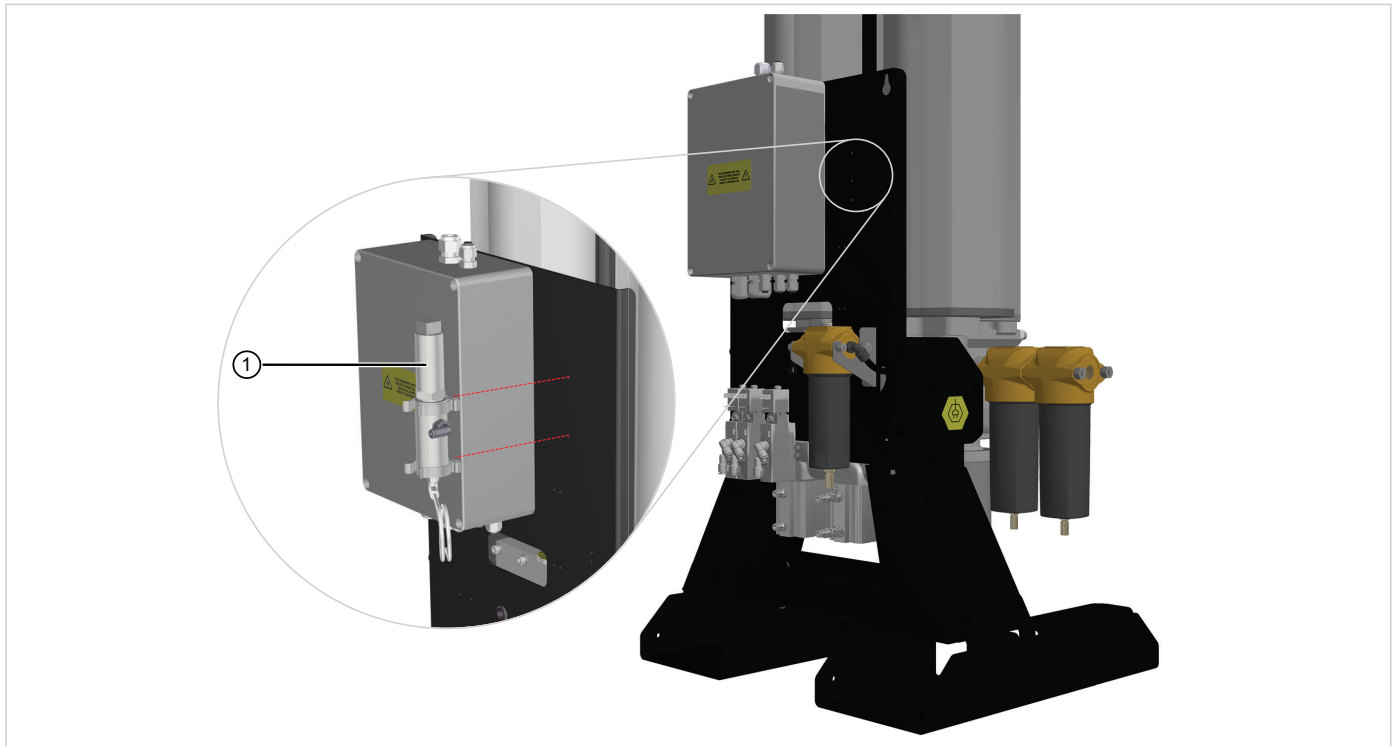
- FBP -40°C PDP Dryers should be fitted with a Hygrometer Sensor.
- Dryers manufactured before June 2022 may have been fitted with a PDS (Parker Dewpoint Sensor).
- Kit **F458730110** should be installed to convert the Parker Dewpoint Sensor to a Hygrometer sensor.
- Following conversion, a 608203580 hygrometer should be used during annual maintenance.
- FBP 12 Month Service kits include a 608203580 hygrometer sensor as standard.

PDS – PARKER DEWPOINT SENSOR FOR CDAS HL 050-085 / OFAS HL 050-085 -20°C / -40°C DEWPOINT VARIANTS



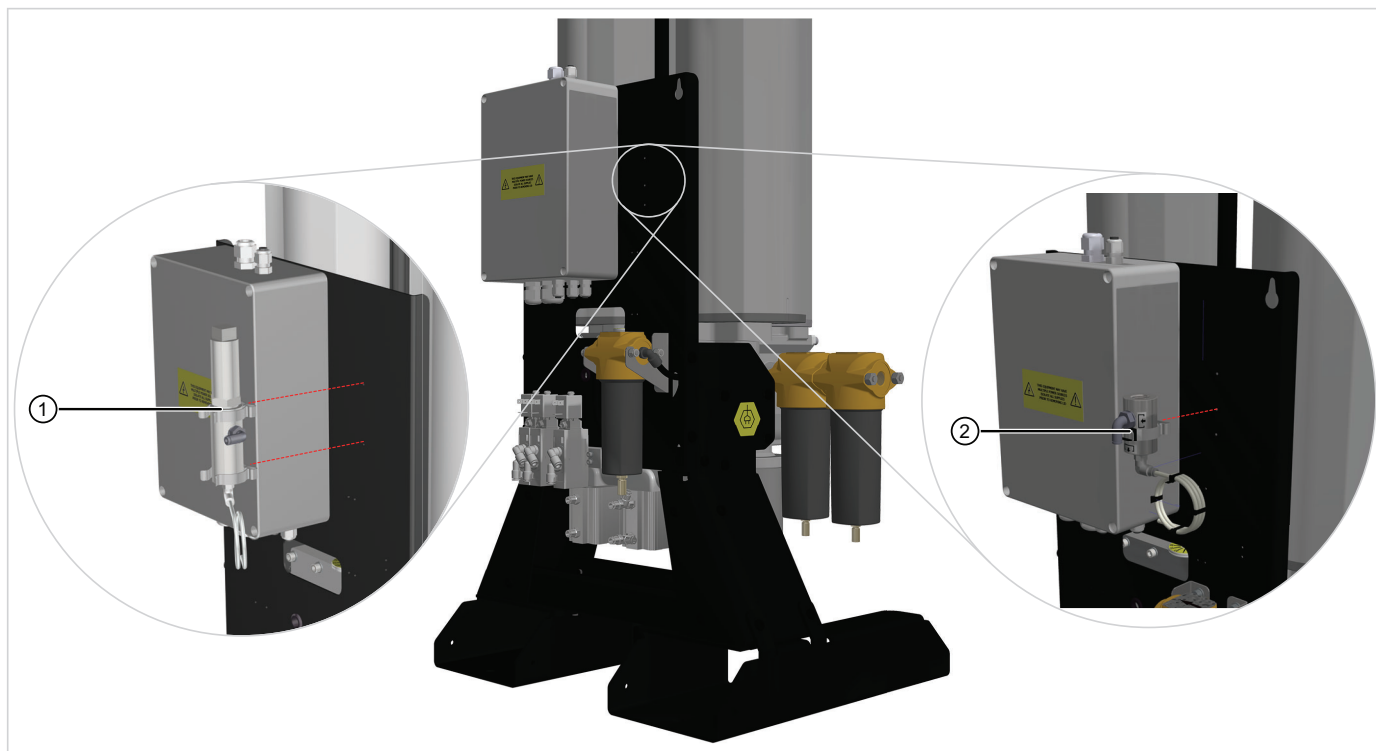
REFERENCE NO.	KIT NUMBER	DESCRIPTION	KIT QTY	COMMENTS
1	S308730001	Repair Kit - Parker Dewpoint Sensor	1	-

HYGROMETER SENSOR FOR CDAS HL 050-085 / OFAS HL 050-085 -70°C VARIANTS AND FBP HL 050-085 -40°C / -70°C DEWPOINT VARIANTS



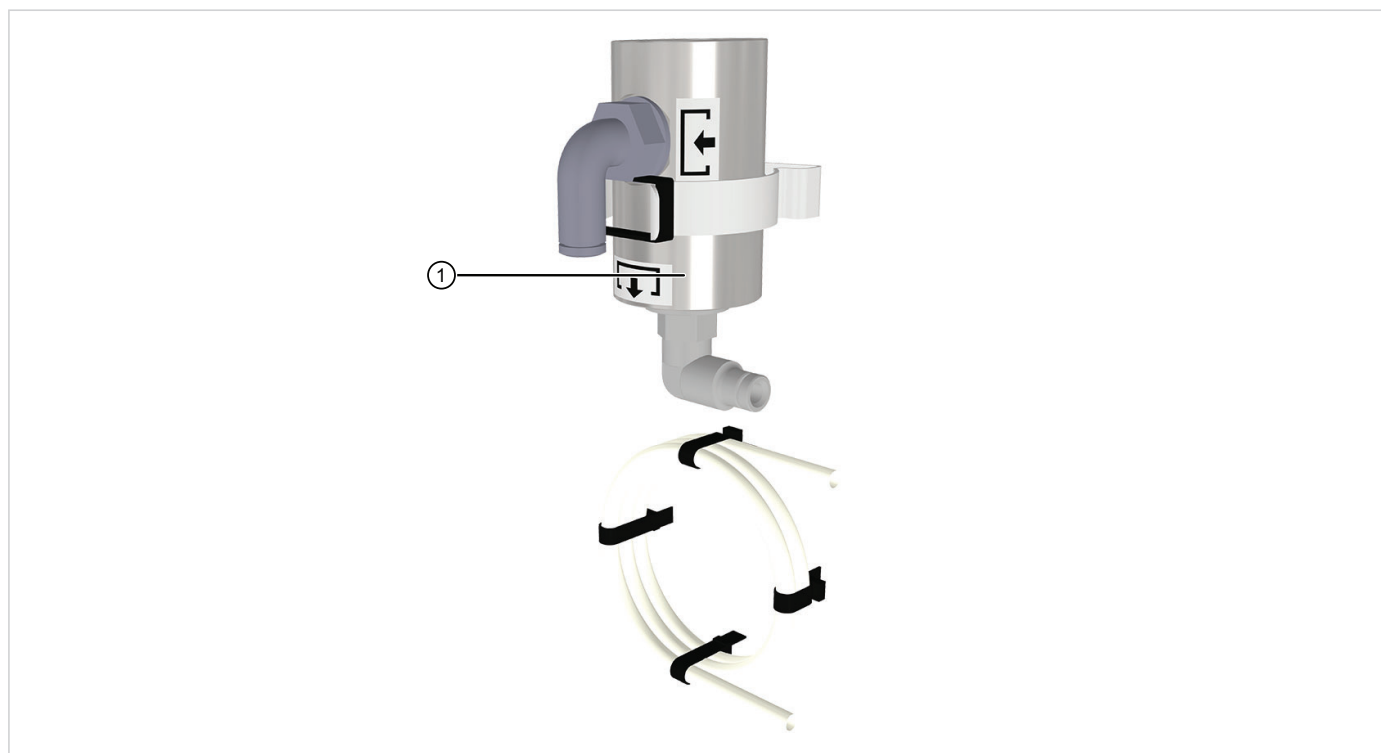
REFERENCE NO.	KIT NUMBER	DESCRIPTION	KIT QTY	COMMENTS
1	608203580	Kit: Hygrometer element assembly	1	-

HYGROMETER SENSOR ASSEMBLY



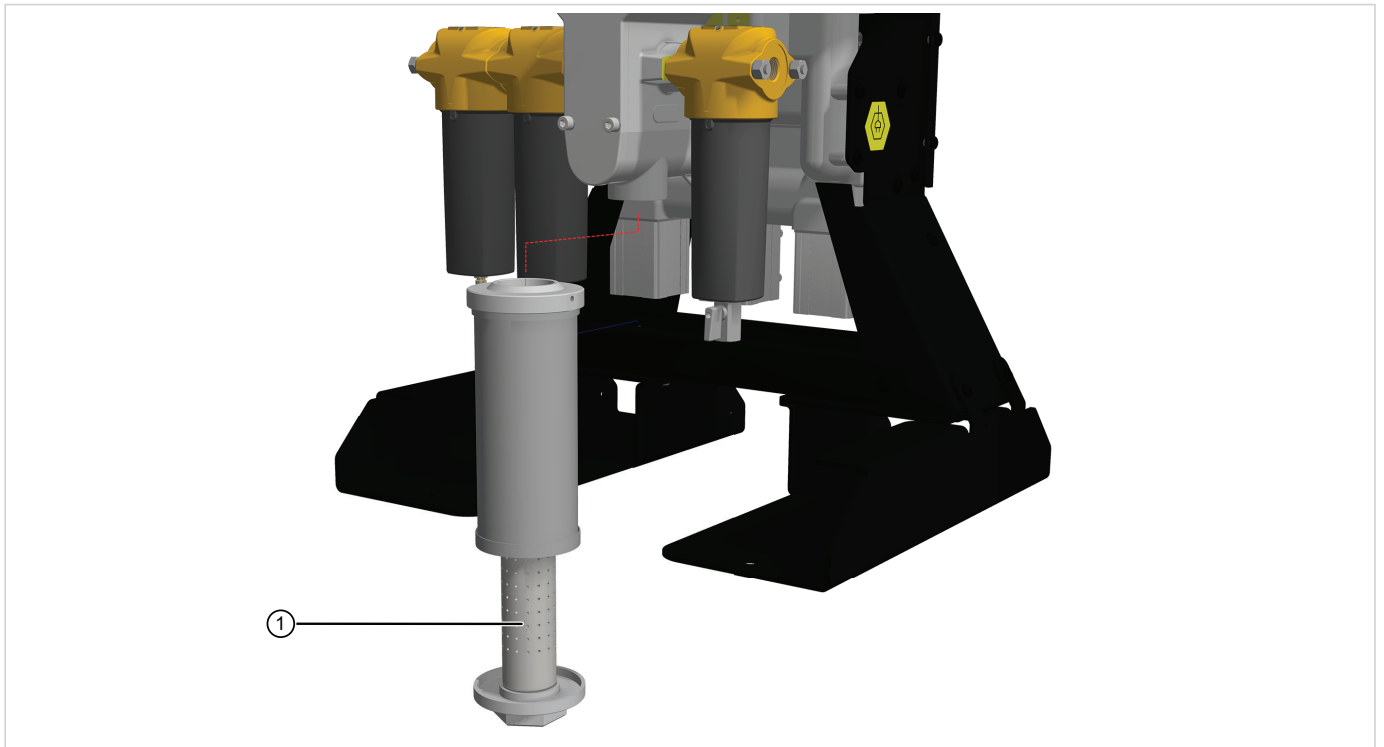
REFERENCE NO.	KIT NUMBER	DESCRIPTION	KIT QTY	COMMENTS
1	F458730110	CDAS HL / OFAS HL / FBP HL -20°C PDP / -40 °C PDP to -70°C Sensor Conversion Kit	1	-
2	608730005	KIT: CDAS HL / OFAS HL PDS Sensor Housing	1	-

CDAS HL / OFAS HL - PARKER DEWPOINT SENSOR



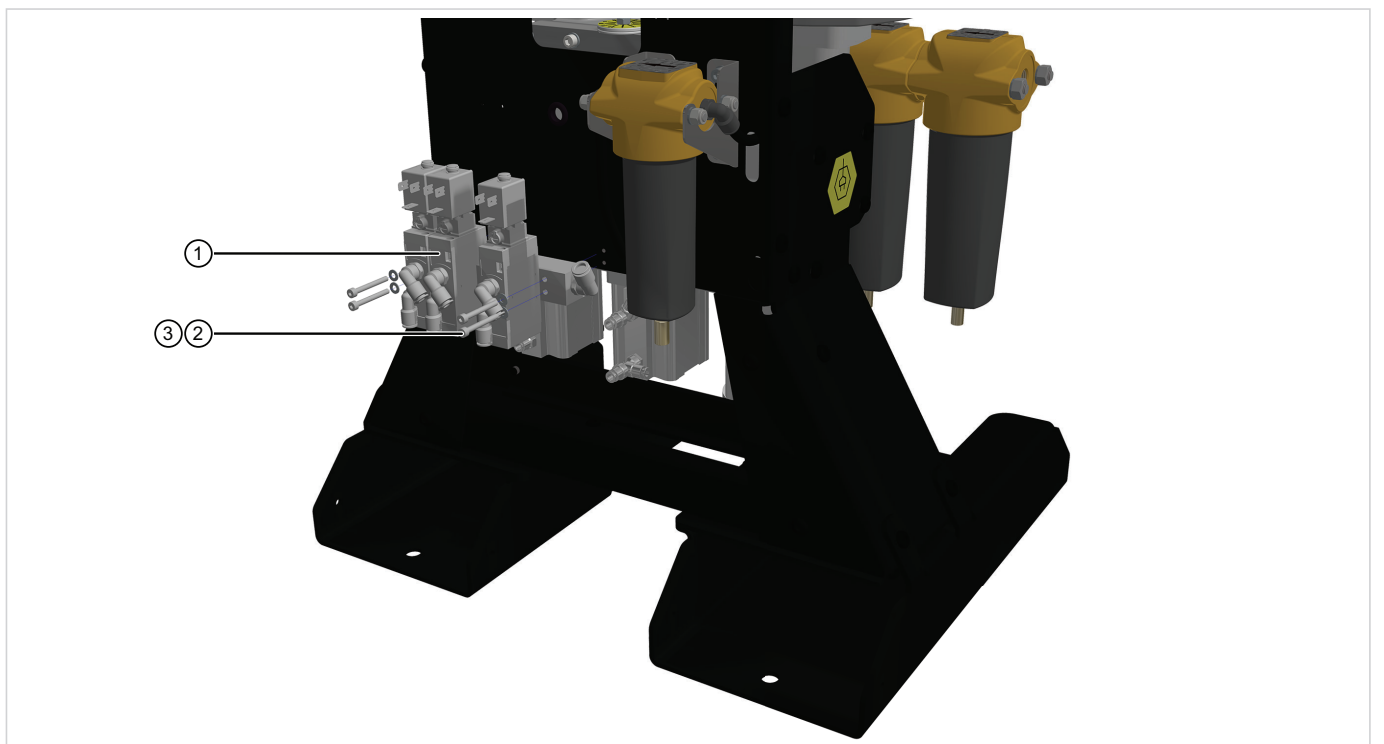
REFERENCE NO.	KIT NUMBER	DESCRIPTION	KIT QTY	COMMENTS
1	608730005	Kit: CDAS HL / OFAS HL PDS Sensor Housing	1	-

SILENCER BAFFLE ASSEMBLY



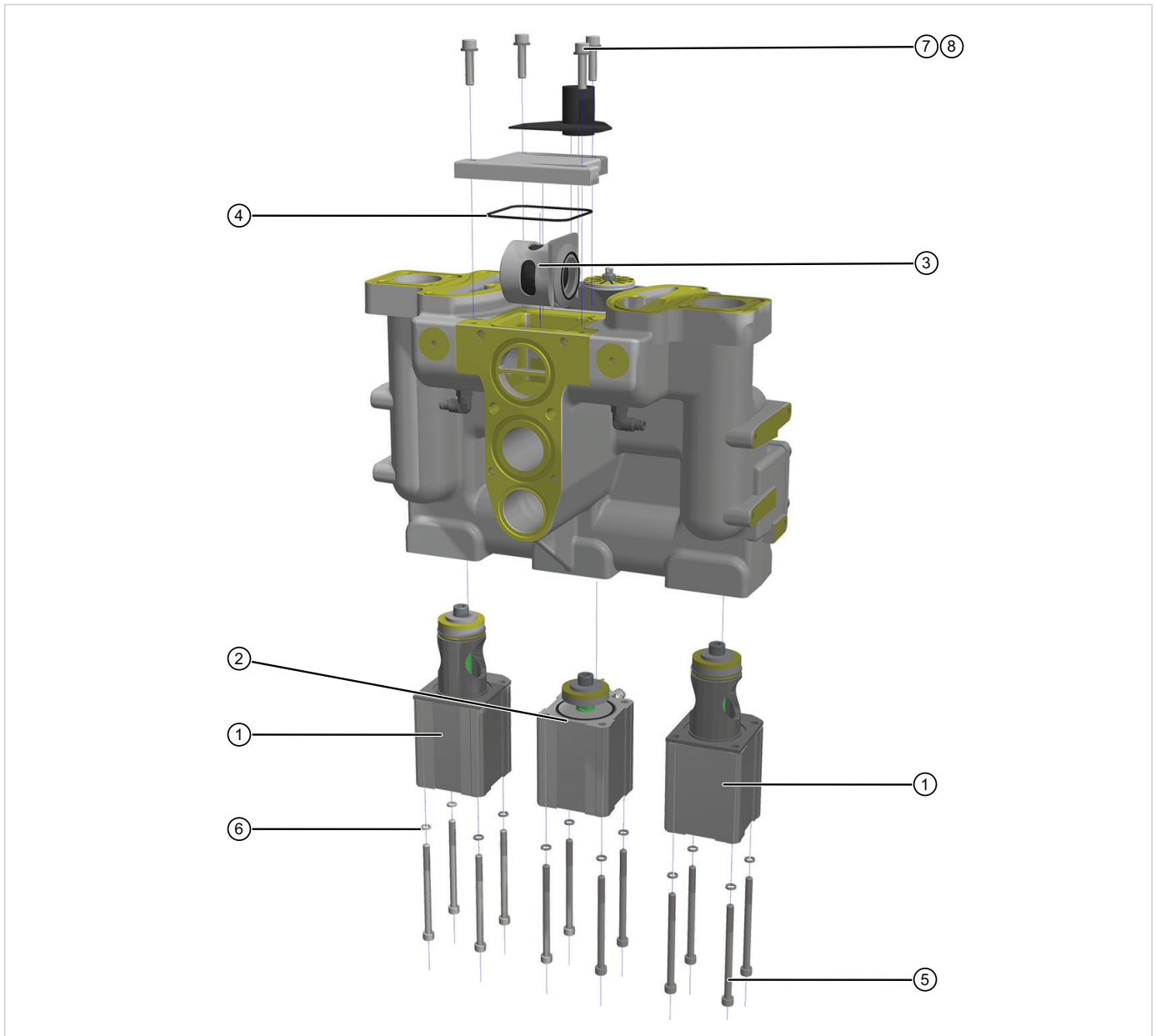
REFERENCE NO.	KIT NUMBER	DESCRIPTION	KIT QTY	COMMENTS
1	S278730146	Repair Kit - Silencer Baffle	1	-

CONTROL VALVE



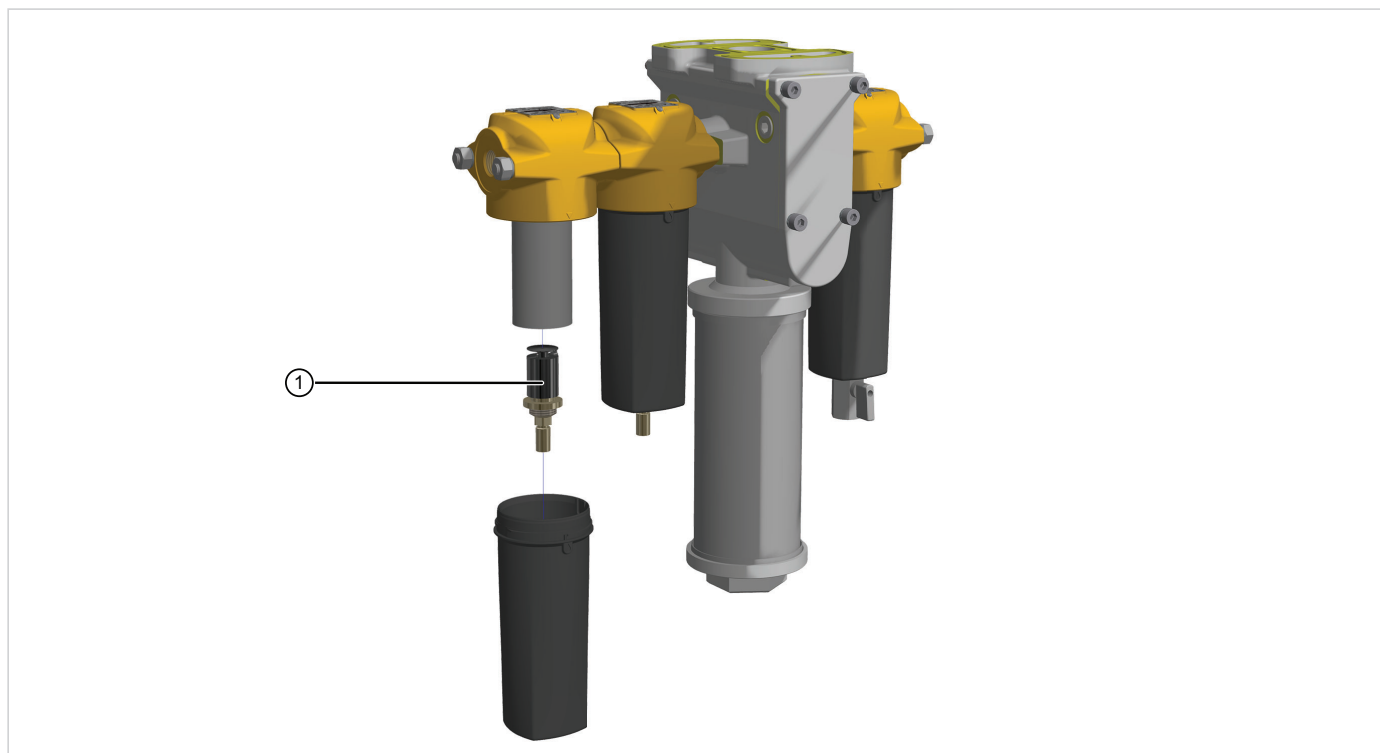
REFERENCE NO.	KIT NUMBER	DESCRIPTION	KIT QTY	COMMENTS
1	R278730136	Repair Kit - 5/2 Control Valve	1	-
2	-	M4 x 35 Socket Head Screw	-	Item to be sourced locally
3	-	M4 Washer Zinc Plated	-	Item to be sourced locally

VALVE BLOCK ASSEMBLY



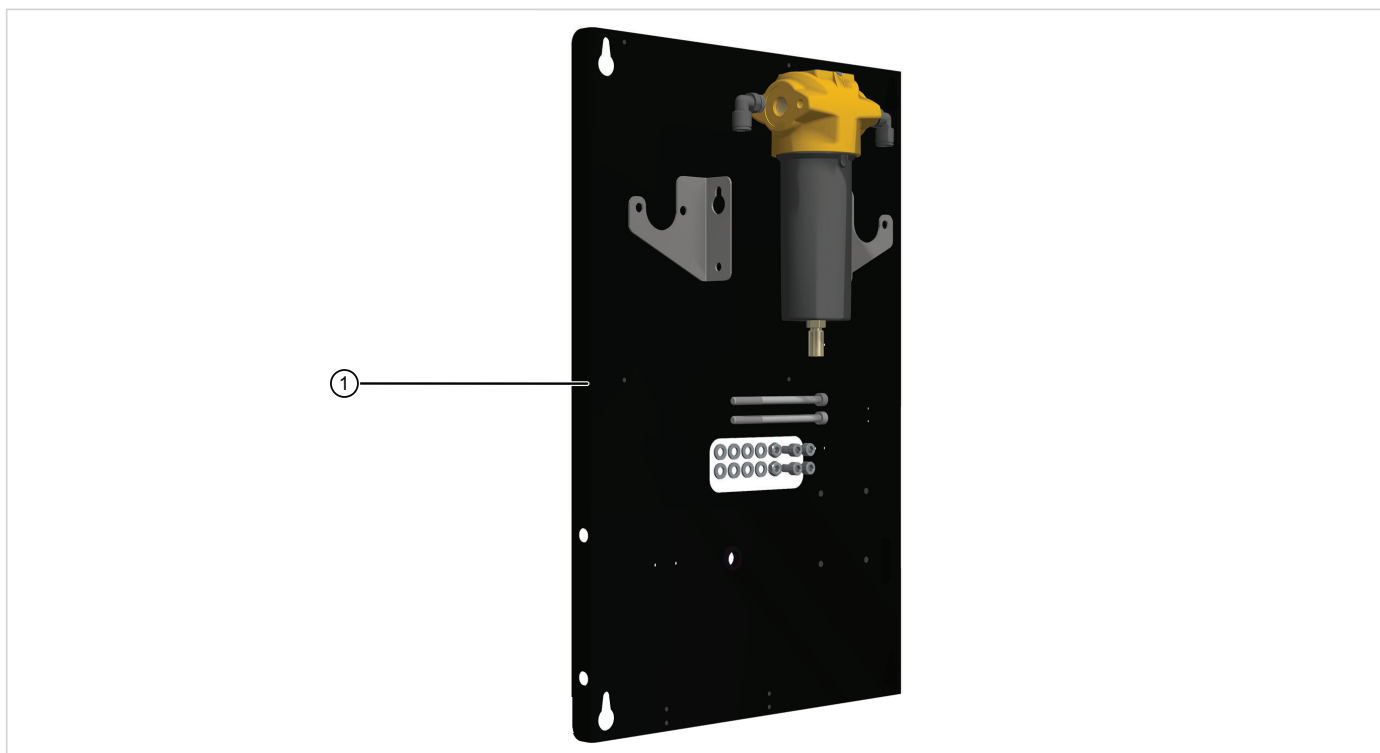
REFERENCE NO.	KIT NUMBER	DESCRIPTION	KIT QTY	COMMENTS
1	R458730002	Repair Kit - Inlet Cylinder	1	-
2	R458730003	Repair Kit - Exhaust Cylinder	1	-
3	S458730035	Repair Kit - Outlet Ball Shuttle Assembly	1	-
4	R051003770	O-Ring 69.57x1.78 BS039 High Nitrile	-	-
5	-	M6x 85 Socket Head Cap Screw - Bright Zinc Plated	-	ISO-4762 or equivalent standard Item to be sourced locally
6	-	M6 Spring Washer - Zinc Plated	-	Item to be sourced locally
7	-	M6 x 25 Socket Head Cap Screw	-	Item to be sourced locally
8	-	M6 Washer - Bright Zinc Plated	-	Item to be sourced locally

FILTER ASSEMBLY



REFERENCE NO.	KIT NUMBER	DESCRIPTION	KIT QTY	COMMENTS
1	M12.FD.0001	Automatic Drain	1	-
2	M12.FD.0002	Automatic Drain - Multibox	1	-

CDAS HL / OFAS HL / FBP HL - REAR PLATE / FILTER ASSEMBLY



REFERENCE NO.	KIT NUMBER	DESCRIPTION	KIT QTY	COMMENTS
1	608730006	Kit: CDAS HL / OFAS HL / FBP HL Rear plate / filter assembly	1	-

CDAS HL / OFAS HL / FBP HL / CDAS HL ATEX 050 - 085 DESICCANT CARTRIDGE KITS



-20°C PDP / -40°C PDP dryers

DRYER MODEL	REQUIRED CARTRIDGE KIT	DESCRIPTION	ORDER QTY
HL 050	R454730151	Kit: Cartridge HL 050 -40 Single	2
HL 055	R454730152	Kit: Cartridge HL 055 -40 Single	2
HL 060	R454730153	Kit: Cartridge HL 060/075 -40 BTM	2
	R454730154	Kit: Cartridge HL 060/075 -40 TOP	2
HL 065	R454730155	Kit: Cartridge HL 065/080 -40 BTM	2
	R454730156	Kit: Cartridge HL 065/080 -40 TOP	2
HL 070	R454730157	Kit: Cartridge HL 070/085 -40 BTM	2
	R454730158	Kit: Cartridge HL 070/085 -40 TOP	2
HL 075	R454730153	Kit: Cartridge HL 060/075 -40 BTM	4
	R454730154	Kit: Cartridge HL 060/075 -40 TOP	4
HL 080	R454730155	Kit: Cartridge HL 065/080 -40 BTM	4
	R454730156	Kit: Cartridge HL 065/080 -40 TOP	4
HL 085	R454730157	Kit: Cartridge HL 070/085 -40 BTM	4
	R454730158	Kit: Cartridge HL 070/085 -40 TOP	4

-70°C PDP dryers

DRYER MODEL	REQUIRED CARTRIDGE KIT	DESCRIPTION	ORDER QTY
HL 050	R457730151	Kit: Cartridge HL 050 -70 Single	2
HL 055	R457730152	Kit: Cartridge HL 055 -70 Single	2
HL 060	R457730153	Kit: Cartridge HL 060/075 -70 BTM	2
	R457730154	Kit: Cartridge HL 060/075 -70 TOP	2
HL 065	R457730155	Kit: Cartridge HL 065/080 -70 BTM	2
	R457730156	Kit: Cartridge HL 065/080 -70 TOP	2
HL 070	R457730157	Kit: Cartridge HL 070/085 -70 BTM	2
	R457730158	Kit: Cartridge HL 070/085 -70 TOP	2
HL 075	R457730153	Kit: Cartridge HL 060/075 -70 BTM	4
	R457730154	Kit: Cartridge HL 060/075 -70 TOP	4
HL 080	R457730155	Kit: Cartridge HL 065/080 -70 BTM	4
	R457730156	Kit: Cartridge HL 065/080 -70 TOP	4
HL 085	R457730157	Kit: Cartridge HL 070/085 -70 BTM	4
	R457730158	Kit: Cartridge HL 070/085 -70 TOP	4

PARKER WORLDWIDE

AE – UAE, Dubai
Tel: +971 4 8127100
parker.me@parker.com

AR – ARGENTINA, Buenos Aires
Tel: +54 3327 44 4129

AT – AUSTRIA, Wiener Neustadt
Tel: +43 (0)2622 23501-0
parker.austria@parker.com

AT – EASTERN EUROPE, Wiener Neustadt
Tel: +43 (0)2622 23501 900
parker.easteurope@parker.com

AU – AUSTRALIA, Castle Hill
Tel: +61 (0)2-9634 7777

AZ – AZERBAIJAN, Baku
Tel: +994 50 2233 458
parker.azerbaijan@parker.com

BE/LU – BELGIUM, Nivelles
Tel: +32 (0)67 280 900
parker.belgium@parker.com

BR – BRAZIL, Cachoeirinha RS
Tel: +55 51 3470 9144

BY – BELARUS, MINSK
Tel: +375 17 209 9399
parker.belarus@parker.com

CA – CANADA, Milton, Ontario
Tel: +1 905 693 3000

CH – SWITZERLAND, Etoy
Tel: +41 (0)21 821 87 00
parker.switzerland@parker.com

CL – CHILE, Santiago
Tel: +56 2 623 1216

CN – CHINA, Shanghai
Tel: +86 21 2899 5000

CZ – CZECH REPUBLIC, Klecany
Tel: +420 284 083 111
parker.czechrepublic@parker.com

DE – GERMANY, Kaarst
Tel: +49 (0)2131 4016 0
parker.germany@parker.com

DK – DENMARK, Ballerup
Tel: +45 43 56 04 00
parker.denmark@parker.com

ES – SPAIN, Madrid
Tel: +34 902 330 001
parker.spain@parker.com

FI – FINLAND, Vantaa
Tel: +358 (0)20 753 2500
parker.fi nland@parker.com

FR – FRANCE, Contamine s/Arve
Tel: +33 (0)4 50 25 80 25
parker.france@parker.com

GR – GREECE, Athens
Tel: +30 210 933 6450
parker.greece@parker.com

HK – Hong Kong
Tel: +852 2428 8008

HU – HUNGARY, Budapest
Tel: +36 1 220 4155
parker.hungary@parker.com

IE – IRELAND, Dublin
Tel: +353 (0)1 466 6370
parker.ireland@parker.com

IN – INDIA, Mumbai
Tel: +91 22 6513 7081-85

IT – ITALY, Corsico (MI)
Tel: +39 02 45 19 21
parker.italy@parker.com

JP – JAPAN, Tokyo
Tel: +81 (0)3 6408 3901

KR – SOUTH KOREA, Seoul
Tel: +82 2 559 0400

KZ – KAZAKHSTAN, Almaty
Tel: +7 7272 505 800
parker.easteurope@parker.com

LV – LATVIA, Riga
Tel: +371 6 745 2601
parker.latvia@parker.com

MX – MEXICO, Apodaca
Tel: +52 81 8156 6000

MY – MALAYSIA, Shah Alam
Tel: +60 3 7849 0800

NL – The Netherlands, Oldenzaal
Tel: +31 (0)541 585 000
parker.nl@parker.com

NO – NORWAY, Asker
Tel: +47 66 75 34 00
parker.norway@parker.com

NZ – NEW ZEALAND, Mt Wellington
Tel: +64 9 574 1744

PL – POLAND, Warsaw
Tel: +48 (0)22 573 24 00
parker.poland@parker.com

PT – PORTUGAL, Leca da Palmeira
Tel: +351 22 999 7360
parker.portugal@parker.com

RO – ROMANIA, Bucharest
Tel: +40 21 252 1382
parker.romania@parker.com

RU – RUSSIA, Moscow
Tel: +7 495 645-2156
parker.russia@parker.com

SE – SWEDEN, Spånga
Tel: +46 (0)8 59 79 50 00
parker.sweden@parker.com

SG – Singapore
Tel: +65 6887 6300

SK – SLOVAKIA, Banská Bystrica
Tel: +421 484 162 252
parker.slovakia@parker.com

SL – SLOVENIA, Novo Mesto
Tel: +386 7 337 6650
parker.slovenia@parker.com

TH – THAILAND, Bangkok
Tel: +662 717 8140

TR – TURKEY, Istanbul
Tel: +90 216 4997081
parker.turkey@parker.com

TW – TAIWAN, Taipei
Tel: +886 2 2298 8987

UA – UKRAINE, Kiev
Tel +380 44 494 2731
parker.ukraine@parker.com

UK – UNITED KINGDOM, Warwick
Tel: +44 (0)1926 317 878
parker.uk@parker.com

US – USA, Cleveland
Tel: +1 216 896 3000

VE – VENEZUELA, Caracas
Tel: +58 212 238 5422

ZA – SOUTH AFRICA, Kempton Park
Tel: +27 (0)11 961 0700
parker.southafrica@parker.com

European Product Information Centre

Free phone: 00 800 27 27 5374
(from AT, BE, CH, CZ, DE, EE, ES, FI, FR, IE, IL, IS, IT, LU, MT, NL, NO, PT, SE, SK, UK)

ONE YEAR AIR QUALITY GUARANTEE

Your air quality has been guaranteed for 1 year and will be renewed at every annual filter element change.

Annual filter element changes ensure:

- Optimal performance is maintained
- Air quality continues to meet international standards
- Protection of downstream equipment, personnel and processes
- Low operational costs
- Increased productivity and profitability
- Peace of mind

PARKER HANNIFIN MANUFACTURING LIMITED

Gas Separation and Filtration Division EMEA
Dukesway, Team Valley Trading Est
Gateshead, Tyne and Wear
England NE11 0PZ

Tel: +44 (0) 191 402 9000

Fax: +44 (0) 191 482 6296

www.parker.com/gsf

