



TABLE OF CONTENT

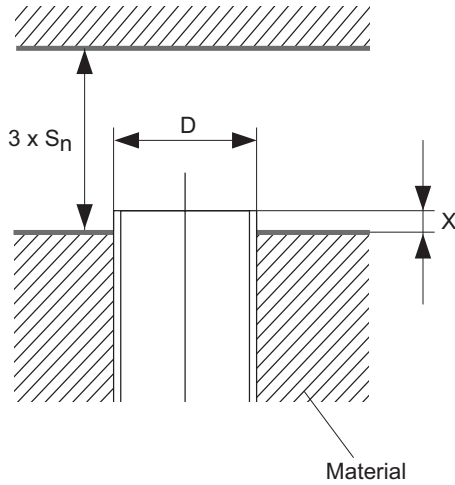
Designation code	
How to read sensor designations	3
Circuit diagrams	
Connection according to EN 60947-5-2	4
Sensors	
Cylinder G6,5	5
Cylinder M8	7
Square Q8	9
Cylinder M12	11
Square Q12	13
Cylinder M18	15
Cylinder G20	17
Cylinder M30	19
Cylinder G34	21



INDUCTIVE SENSORS XXL

MOUNTING

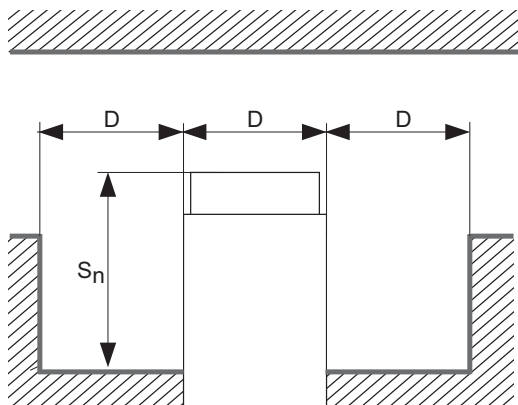
Quasi-flush mounting



The sensors in this catalogue must not be mounted flush into conductive materials, but have to protrude by X. Flush mounting in non-conductive materials is allowed.

Steel	$X = 0,2D$
Other metals	$X = 0,1D$
Other material	$X = 0$

Non-flush mounting



S_n = Switching distance
 D = Diameter of the sensors



INDUCTIVE SENSORS XXL

DESIGNATION CODE

Example: **K J 10 - M 30 M B 45 - D P S - V1 - X0000**

1	2	3	4	5	6	7	8	9	10	11	12

1 = Working principle

A	Acoustic		
B	Acceleration sensor		
C	Capacitive		
D	Strain gauge sensor		
H	Hall-effect		
J	Inductive	JR	Inductive ring
		JF	Inductive surface
		JG	Inductive slot
		JD	Metalface
M	Magnetoresistive		
N	Inclination sensor		
R	Reed-contact		
W	Angle sensor		

2 = Switching distance / range

3 = Design

D	Ring housing
G	Cylindrical housing without thread
M	Cylindrical housing with metrical thread
Q	Square housing

4 = Housing diameter / edge length

5 = Housing material

A	Aluminium
E	Stainless steel
K	Plastic
M	Brass, nickel plated
T	PTFE

6 = Installation

B	Shielded
N	Non shielded

7 = Tube length

8 = Operating voltage

AZ	AC alternating current voltage
D	DC direct current voltage
VZ	AC/DC all voltages

9 = Type of output signal

AN	Analog	ANI	Current output
		ANU	Voltage output
CAN	CAN-bus interface		
N	NPN		
NA	Namur		
P	PNP		
Z	Two wire		

10 = Function

A	Changeover
I	Impulse output
Ö	N.C.
S	N.O.
U	Switchable

11 = Connection

V1	M8 screw-/snap-in
V2	M12 metal
V2/1	M12 plastic
V3	M5 metal
V4	Amphenol Tuchel
V6	Brad Harrison
V7	Valve connector type A
V8	M8 snap-in only
V9	Torson
V10	Valve connector type C
V11	AC connector 1/2" UNF
V12	M18 plastic
VE	Euchner connector
RS232	Data interface
PG	Thread joint PG
Mxx	Thread joint metrical

others as requested

12 = Additional marks

AM	Sensing face in centre
FE	Reduction 1 to steel / iron
HT	High temperature
NF	Reduction 1 to nonferrous metal
SF	Weld field immune
T	Enlarged temperature range
W	Angled sensing face / angled cable exit
X	Customized design with detailed description



INDUCTIVE SENSORS XXL

CIRCUIT DIAGRAMS

Circuit diagram for	Cable / clamp connection	Connector V1 ... V9
DPS DC PNP N.O.		
DPO DC PNP N.C.		
DPA DC PNP changeover		
DPU DC NO/NC switchable		
DNS DC NPN N.O.		
DNÖ DC NPN N.C.		
DNA DC NPN changeover		
DNU DC NO/NC switchable		
NA Namur EN 60947-5-6		
DZS DC two-wire N.O.		
DZÖ DC two-wire N.C.		
AZS/VZS AC/DC two-wire N.O.		
AZÖ/VZÖ AC/DC two-wire N.C.		
Analog		



INDUCTIVE SENSORS XXL

CYLINDER G6,5

General data

Operating voltage U_b	10V ... 30V DC
Ripple voltage of U_b	$\leq 10\%$
Voltage drop U_d	$\leq 1V$
Max. load current	200mA
Off-state current I_0	$\leq 10mA$
Residual current	$\leq 10\mu A$
Max. switching frequency f	1000Hz
Hysteresis H	$\leq 15\%$ (Sr)
Repeatability R	$\leq 2\%$ (Sr)
Operating temperature T_a	$-25^\circ C \dots +70^\circ C$
Temperature drift	$\leq 10\%$ (Sr)
Protection class	IP67
EMV-standard	according to IEC 60947-5-2
Switching state	LED
Housing material	brass, nickel-plated
Front cap	POM



The drawings of these sensors are shown on the following page.

Selection chart

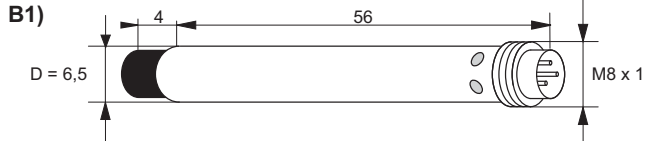
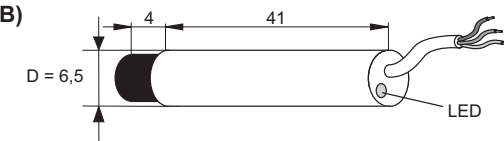
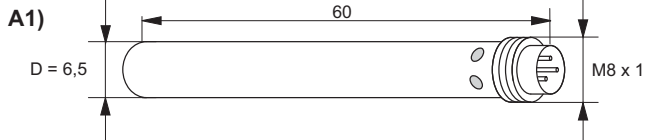
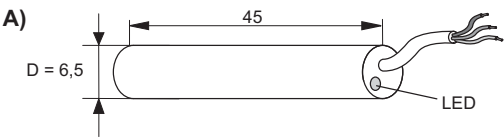
Article number	Designation switching distance 3mm	Mounting	Output signal	Connection	Drawing (next page)
08313650317	SJ3-G6,5MB45-DPS	shielded	PNP	2m cable PVC 3 x 0,15mm ²	A
08313650327	SJ3-G6,5MB45-DPÖ	shielded	PNP	2m cable PVC 3 x 0,15mm ²	A
08313650337	SJ3-G6,5MB45-DNS	shielded	NPN	2m cable PVC 3 x 0,15mm ²	A
08313650347	SJ3-G6,5MB45-DNÖ	shielded	NPN	2m cable PVC 3 x 0,15mm ²	A
08313036511	SJ3-G6,5MB60-DPS-V1	shielded	PNP	connector M8 3-pole	A1
08313036521	SJ3-G6,5MB60-DPÖ-V1	shielded	PNP	connector M8 3-pole	A1
08313036531	SJ3-G6,5MB60-DNS-V1	shielded	NPN	connector M8 3-pole	A1
08313036541	SJ3-G6,5MB60-DNÖ-V1	shielded	NPN	connector M8 3-pole	A1
	Designation switching distance 6mm				
08313650617	SJ6-G6,5MN45-DPS	non shielded	PNP	2m cable PVC 3 x 0,15mm ²	B
08313650627	SJ6-G6,5MN45-DPÖ	non shielded	PNP	2m cable PVC 3 x 0,15mm ²	B
08313650637	SJ6-G6,5MN45-DNS	non shielded	NPN	2m cable PVC 3 x 0,15mm ²	B
08313650647	SJ6-G6,5MN45-DNÖ	non shielded	NPN	2m cable PVC 3 x 0,15mm ²	B
08313066511	SJ6-G6,5MN60-DPS-V1	non shielded	PNP	connector M8 3-pole	B1
08313066521	SJ6-G6,5MN60-DPÖ-V1	non shielded	PNP	connector M8 3-pole	B1
08313066531	SJ6-G6,5MN60-DNS-V1	non shielded	NPN	connector M8 3-pole	B1
08313066541	SJ6-G6,5MN60-DNÖ-V1	non shielded	NPN	connector M8 3-pole	B1

Other cable lengths as requested.



CYLINDER G6,5

Dimensions



all data in mm

p-u-l-s-o-t-r-o-n-i-c
Pulsotronic GmbH & Co. KG

Neue Schichtstraße 14b
D-09366 Niederdorf

☎ +49 (0) 37296 / 930 - 200
☎ +49 (0) 37296 / 930 - 280

✉ info@pulsotronic.de
www.pulsotronic.de

subject to
modifications!



INDUCTIVE SENSORS XXL

CYLINDER M8

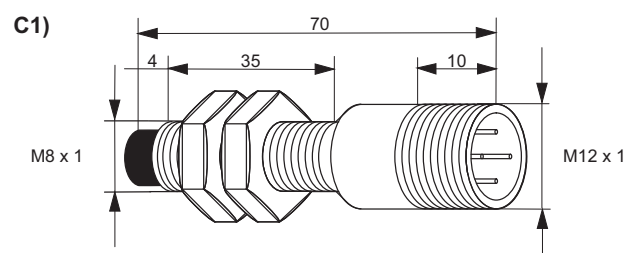
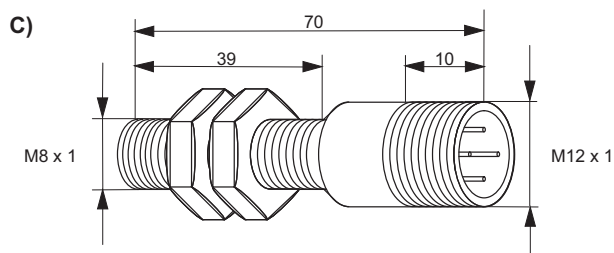
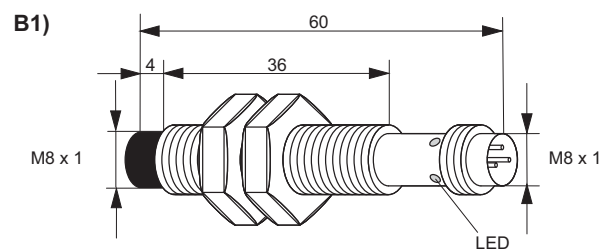
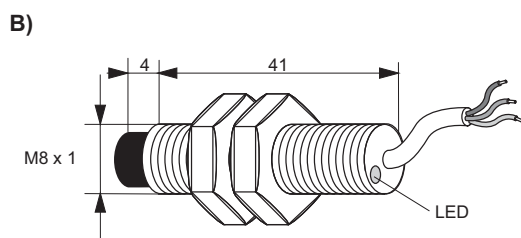
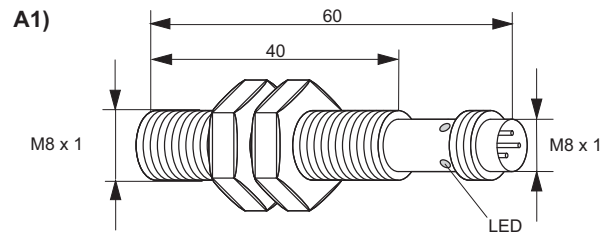
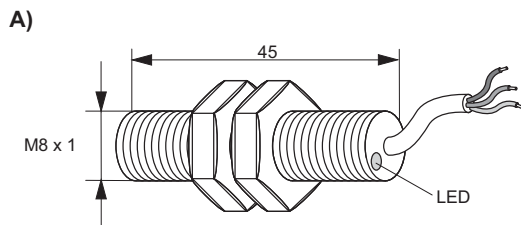
General data

Operating voltage U_b	10V ... 30V DC
Ripple voltage of U_b	$\leq 10\%$
Voltage drop U_d	$\leq 1V$
Max. load current	200mA
Off-state current I_o	$\leq 10mA$
Residual current	$\leq 10\mu A$
Max. switching frequency f	1000Hz
Hysteresis H	$\leq 15\%$ (Sr)
Repeatability R	$\leq 2\%$ (Sr)
Operating temperature T_a	-25°C ... +70°C
Temperature drift	$\leq 10\%$ (Sr)
Protection class	IP67
EMV-standard	according to IEC 60947-5-2
Switching state	LED
Housing material	brass, nickel-plated (except for KJ3-M8EB... stainless steel)
Front cap	KJ3... PA 6.6 KJ6... POM SJ6... POM



The selection chart of these sensors is shown on the following page.

Dimensions



all data in mm



CYLINDER M8

Selection chart

Article number	Designation switching distance 3mm	Mounting	Output signal	Connection	Drawing (next page)
08317815000	KJ3-M8MB45-DPS	shielded	PNP	2m cable PVC 3 x 0,15mm ²	A
08317815400	KJ3-M8MB45-DPÖ	shielded	PNP	2m cable PVC 3 x 0,15mm ²	A
08317815100	KJ3-M8MB45-DNS	shielded	NPN	2m cable PVC 3 x 0,15mm ²	A
08317815500	KJ3-M8MB45-DNÖ	shielded	NPN	2m cable PVC 3 x 0,15mm ²	A
08317815064	KJ3-M8EB60-DPS-V1	shielded	PNP	connector M8 3-pole	A1
08317815464	KJ3-M8EB60-DPÖ-V1	shielded	PNP	connector M8 3-pole	A1
08310001155	KJ3-M8EB60-DNS-V1	shielded	NPN	connector M8 3-pole	A1
08317815564	KJ3-M8EB60-DNÖ-V1	shielded	NPN	connector M8 3-pole	A1
08317815065	KJ3-M8MB70-DPS-V2	shielded	PNP	connector M12 4-pole	C
08313030822	SJ3-M8MB70-DPÖ-V2	shielded	PNP	connector M12 4-pole	C
08313030832	SJ3-M8MB70-DNS-V2	shielded	NPN	connector M12 4-pole	C
08313030842	SJ3-M8MB70-DNÖ-V2	shielded	NPN	connector M12 4-pole	C

	Designation switching distance 6mm				
08317815200	KJ6-M8MN45-DPS	non shielded	PNP	2m cable PVC 3 x 0,15mm ²	B
08317815600	SJ6-M8MN45-DPÖ	non shielded	PNP	2m cable PVC 3 x 0,15mm ²	B
08317815300	KJ6-M8MN45-DNS	non shielded	NPN	2m cable PVC 3 x 0,15mm ²	B
08313080647	SJ6-M8MN45-DNÖ	non shielded	NPN	2m cable PVC 3 x 0,15mm ²	B
08317815264	KJ6-M8MN60-DPS-V1	non shielded	PNP	connector M8 3-pole	B1
08313060821	SJ6-M8MN60-DPÖ-V1	non shielded	PNP	connector M8 3-pole	B1
08313060831	SJ6-M8MN60-DNS-V1	non shielded	NPN	connector M8 3-pole	B1
08313060841	SJ6-M8MN60-DNÖ-V1	non shielded	NPN	connector M8 3-pole	B1
08317815265	KJ6-M8MN70-DPS-V2	non shielded	PNP	connector M12 4-pole	D
08313060822	SJ6-M8MN70-DPÖ-V2	non shielded	PNP	connector M12 4-pole	D
08317815365	KJ6-M8MN70-DNS-V2	non shielded	NPN	connector M12 4-pole	D
08313060842	SJ6-M8MN70-DNÖ-V2	non shielded	NPN	connector M12 4-pole	D

Other cable lengths as requested.



INDUCTIVE SENSORS XXL

SQUARE Q8

General data

Mounting	shielded
Operating voltage U_b	10V ... 30V DC
Ripple voltage of U_b	$\leq 10\%$
Voltage drop U_d	$\leq 1V$
Max. load current	200mA
Off-state current I_o	$\leq 10mA$
Residual current	$\leq 10\mu A$
Max. switching frequency f	1000Hz
Switching distance	3mm
Hysteresis H	$\leq 15\%$ (Sr)
Repeatability R	$\leq 2\%$ (Sr)
Operating temperature T_a	$-25^\circ C \dots +70^\circ C$
Temperature drift	$\leq 10\%$ (Sr)
Protection class	IP67
EMV-standard	according to IEC 60947-5-2
Switching state	LED
Housing material	brass, nickel-plated
Front cap	POM



The drawings of these sensors are shown on the following page.

Selection chart

Article number	Designation	Output signal	Connection	Drawing (next page)
08317612000	KJ3-Q8MB40-DPS	PNP	2m cable PVC 3 x 015mm ²	A
08313880327	SJ3-Q8MB40-DPÖ	PNP	2m cable PVC 3 x 015mm ²	A
08317612100	KJ3-Q8MB40-DNS	NPN	2m cable PVC 3 x 015mm ²	A
08313880342	SJ3-Q8MB40-DNÖ	NPN	2m cable PVC 3 x 015mm ²	A
08317612064	KJ3-Q8MB60-DPS-V1	PNP	connector M8 3-pole	A1
08313880321	SJ3-Q8MB60-DPÖ-V1	PNP	connector M8 3-pole	A1
08317612164	KJ3-Q8MB60-DNS-V1	NPN	connector M8 3-pole	A1
08313880341	SJ3-Q8MB60-DNÖ-V1	NPN	connector M8 3-pole	A1
08313880318	SJ3-Q8MB40-DPS-AM	PNP	2m cable PVC 3 x 015mm ²	B
08313880328	SJ3-Q8MB40-DPÖ-AM	PNP	2m cable PVC 3 x 015mm ²	B
08313880338	SJ3-Q8MB40-DNS-AM	NPN	2m cable PVC 3 x 015mm ²	B
08313880348	SJ3-Q8MB40-DNÖ-AM	NPN	2m cable PVC 3 x 015mm ²	B
08313880317	SJ3-Q8MB60-DPS-V1-AM	PNP	connector M8 3-pole	B1
08313038827	SJ3-Q8MB60-DPÖ-V1-AM	PNP	connector M8 3-pole	B1
08313880337	SJ3-Q8MB60-DNS-V1-AM	NPN	connector M8 3-pole	B1
08313880347	SJ3-Q8MB60-DNÖ-V1-AM	NPN	connector M8 3-pole	B1

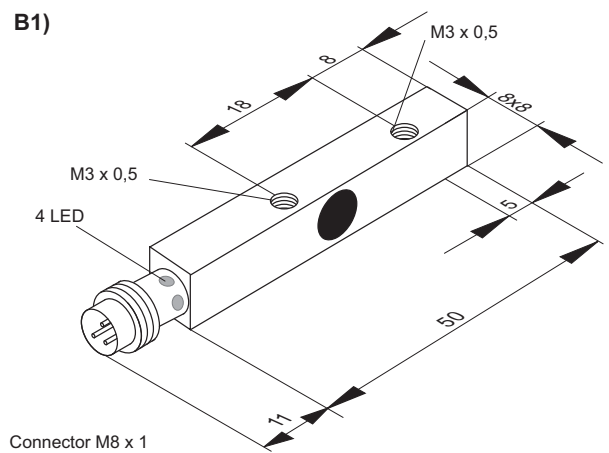
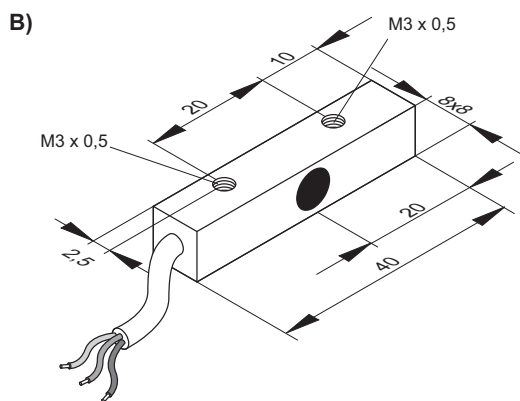
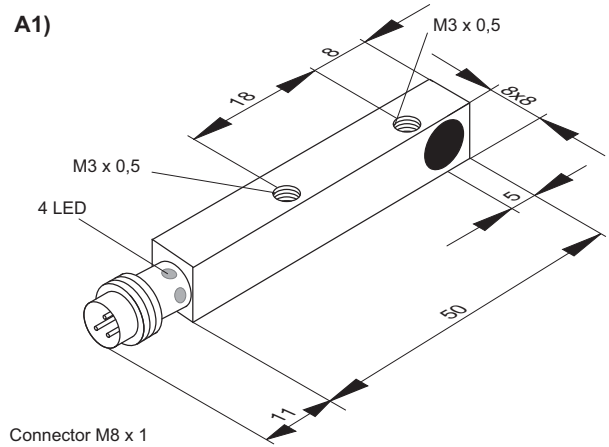
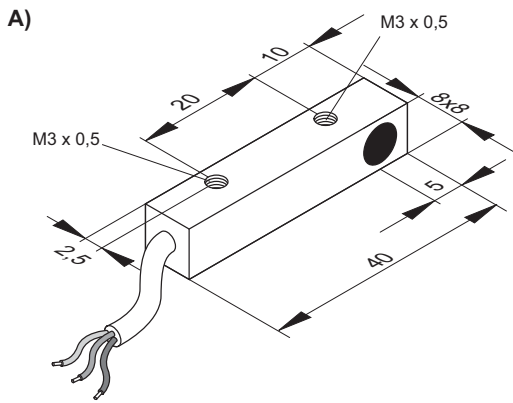
Other cable lengths as requested.
AM - active field in center.



INDUCTIVE SENSORS XXL

SQUARE Q8

Dimensions



all data in mm



INDUCTIVE SENSORS XXL

CYLINDER M12

General data

Operating voltage U_b	10V ... 30V DC
Ripple voltage of U_b	$\leq 10\%$
Voltage drop U_d	$\leq 1V$
Max. load current	200mA
Off-state current I_0	$\leq 10mA$
Residual current	$\leq 10\mu A$
Max. switching frequency f	KJ6... 1000Hz SJ6... 1000Hz KJ10... 500Hz SJ10... 500Hz
Switching distance	3mm
Hysteresis H	$\leq 15\%$ (Sr)
Repeatability R	$\leq 2\%$ (Sr)
Operating temperature T_a	$-25^\circ C \dots +70^\circ C$
Temperature drift	$\leq 10\%$ (Sr)
Protection class	IP67
EMV-standard	according to IEC 60947-5-2
Switching state	LED
Housing material	brass, nickel-plated
Front cap	KJ6... POM SJ6... POM KJ10... PBT SJ10... PBT



The drawings of these sensors are shown on the following page.

Selection chart

Article number	Designation switching distance 6mm	Mounting	Output signal	Connection	Drawing (next page)
08317825000	KJ6-M12MB50-DPS	shielded	PNP	2m cable PVC 3 x 0,34mm ²	A
08313120627	SJ6-M12MB50-DPÖ	shielded	PNP	2m cable PVC 3 x 0,34mm ²	A
08317825100	KJ6-M12MB50-DNS	shielded	NPN	2m cable PVC 3 x 0,34mm ²	A
08313120647	SJ6-M12MB50-DNÖ	shielded	NPN	2m cable PVC 3 x 0,34mm ²	A
08317825065	KJ6-M12MB68-DPS-V2	shielded	PNP	connector M12 4-pole	A1
08313061222	SJ6-M12MB68-DPÖ-V2	shielded	PNP	connector M12 4-pole	A1
08317825165	KJ6-M12MB68-DNS-V2	shielded	NPN	connector M12 4-pole	A1
08317825565	SJ6-M12MB68-DNÖ-V2	shielded	NPN	connector M12 4-pole	A1

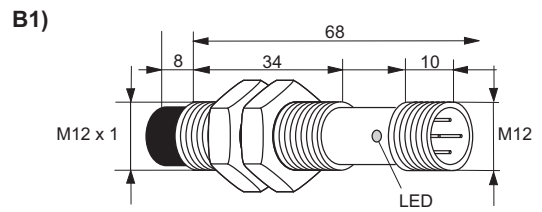
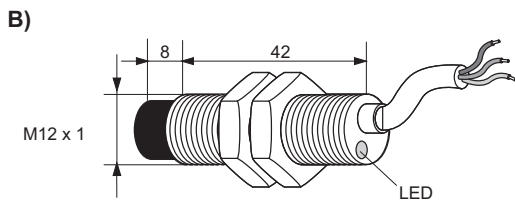
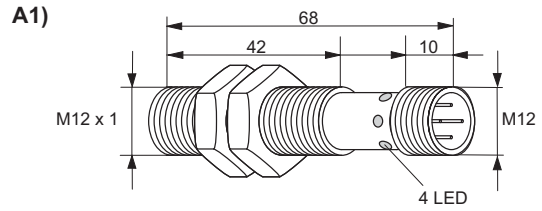
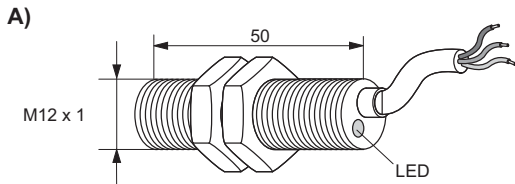
	Designation switching distance 10mm				
08317825200	KJ10-M12MN50-DPS	non shielded	PNP	2m cable PVC 3 x 0,34mm ²	B
08313121027	KJ10-M12MN50-DPÖ	non shielded	PNP	2m cable PVC 3 x 0,34mm ²	B
08317825300	KJ10-M12MN50-DNS	non shielded	NPN	2m cable PVC 3 x 0,34mm ²	B
08313121047	KJ10-M12MN50-DNÖ	non shielded	NPN	2m cable PVC 3 x 0,34mm ²	B
08317825265	KJ10-M12MN68-DPS-V2	non shielded	PNP	connector M12 4-pole	B1
08313101222	KJ10-M12MN68-DPÖ-V2	non shielded	PNP	connector M12 4-pole	B1
08313101232	KJ10-M12MN68-DNS-V2	non shielded	NPN	connector M12 4-pole	B1
08313101242	KJ10-M12MN68-DNÖ-V2	non shielded	NPN	connector M12 4-pole	B1



INDUCTIVE SENSORS XXL

CYLINDER M12

Dimensions



all data in mm



INDUCTIVE SENSORS XXL

SQUARE Q12

General data

Mounting	shielded
Operating voltage U_b	10V ... 30V DC
Ripple voltage of U_b	$\leq 10\%$
Voltage drop U_d	$\leq 2V$
Max. load current	200mA
Off-state current I_o	$\leq 10mA$
Residual current	$\leq 10\mu A$
Max. switching frequency f	1000Hz
Switching distance	6mm
Hysteresis H	$\leq 15\%$ (Sr)
Repeatability R	$\leq 2\%$ (Sr)
Operating temperature T_a	-25°C ... +70°C
Temperature drift	$\leq 10\%$ (Sr)
Protection class	IP67
EMV-standard	according to IEC 60947-5-2
Switchung state	LED
Housing material	brass, nickel-plated
Front cap	POM



The drawings of these sensors are shown on the following page.

Auswahltabelle

Article number	Designation	Output signal	Connection	Drawing (next page)
08313620617	SJ6-Q12MB50-DPS	PNP	2m cable PVC 3 x 0,15mm ²	A
08313620627	SJ6-Q12MB50-DPÖ	PNP	2m cable PVC 3 x 0,15mm ²	A
08313620637	SJ6-Q12MB50-DNS	NPN	2m cable PVC 3 x 0,15mm ²	A
08313620647	SJ6-Q12MB50-DNÖ	NPN	2m cable PVC 3 x 0,15mm ²	A
08313661211	SJ6-Q12MB60-DPS-V1	PNP	connector M8 3-pole	A1
08313661221	SJ6-Q12MB60-DPÖ-V1	PNP	connector M8 3-pole	A1
08313661231	SJ6-Q12MB60-DNS-V1	NPN	connector M8 3-pole	A1
08313661241	SJ6-Q12MB60-DNÖ-V1	NPN	connector M8 3-pole	A1
08313620618	SJ6-Q12MB50-DPS-AM	PNP	2m cable PVC 3 x 0,15mm ²	B
08313620628	SJ6-Q12MB50-DPÖ-AM	PNP	2m cable PVC 3 x 0,15mm ²	B
08313620638	SJ6-Q12MB50-DNS-AM	NPN	2m cable PVC 3 x 0,15mm ²	B
08313620648	SJ6-Q12MB50-DNÖ-AM	NPN	2m cable PVC 3 x 0,15mm ²	B
08313661217	SJ6-Q12MB60-DPS-V1-AM	PNP	connector M8 3-pole	B1
08313661227	SJ6-Q12MB60-DPÖ-V1-AM	PNP	connector M8 3-pole	B1
08313661237	SJ6-Q12MB60-DNS-V1-AM	NPN	connector M8 3-pole	B1
08313661247	SJ6-Q12MB60-DNÖ-V1-AM	NPN	connector M8 3-pole	B1

Other cable lengths as requested.

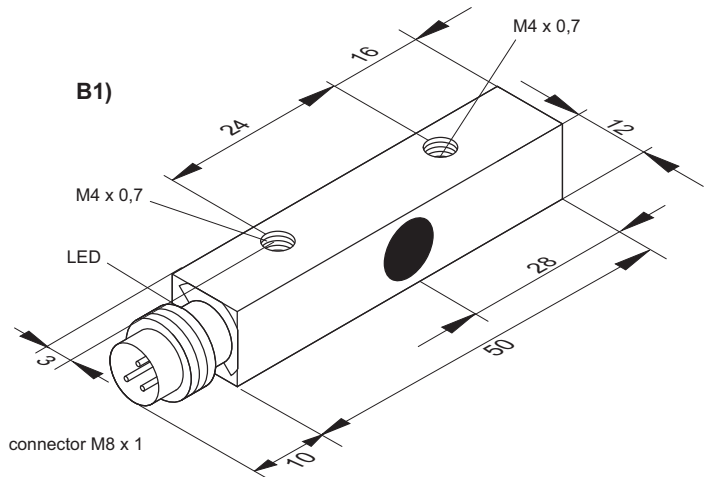
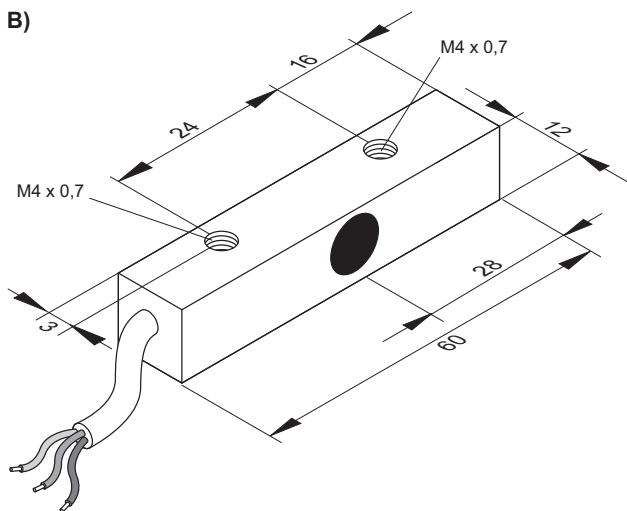
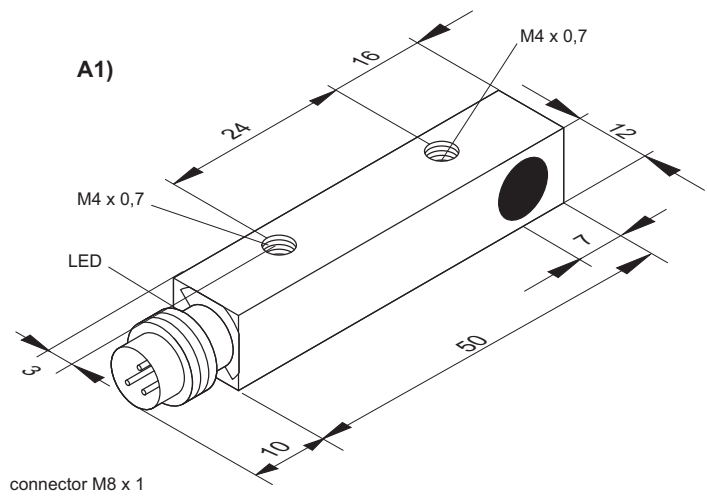
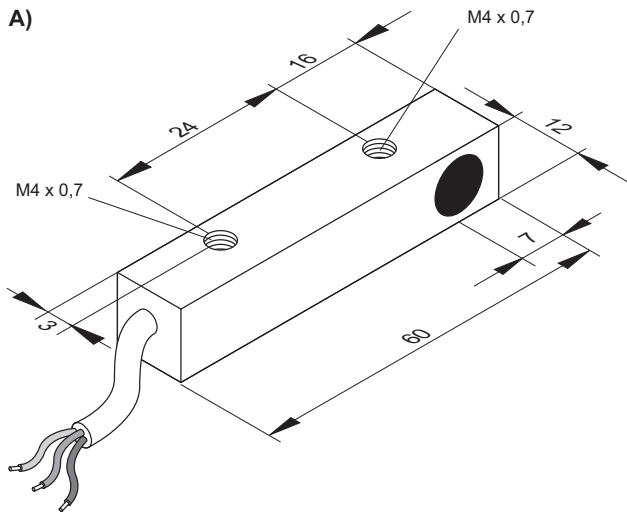
AM - active field in center.



INDUCTIVE SENSORS XXL

SQUARE Q12

Dimensions



all data in mm



CYLINDER M18

General data

Operating voltage U_b	10V ... 30V DC
Ripple voltage of U_b	$\leq 10\%$
Voltage drop U_d	$\leq 2V$
Max. load current	200mA
Off-state current I_0	$\leq 10mA$
Residual current	$\leq 50\mu A$
Max. switching frequency f	KJ12... 300Hz SJ12... 300Hz KJ20... 100Hz SJ20... 100Hz
Hysteresis H	$\leq 15\%$ (Sr)
Repeatability R	$\leq 2\%$ (Sr)
Operating temperature T_a	-25°C ... +70°C
Temperature drift	$\leq 10\%$ (Sr)
Protection class	IP67
EMV-standard	according to IEC 60947-5-2
Switching state	LED
Housing material	brass, nickel-plated
Front cap	PBT



The drawings of these sensors are shown on the next page.

Selection chart

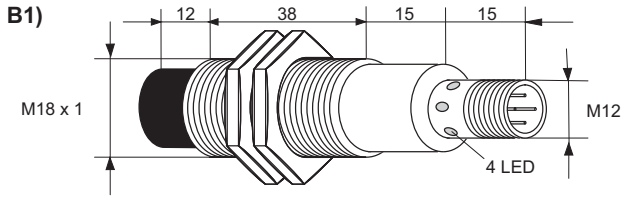
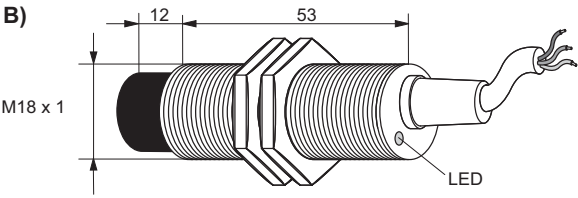
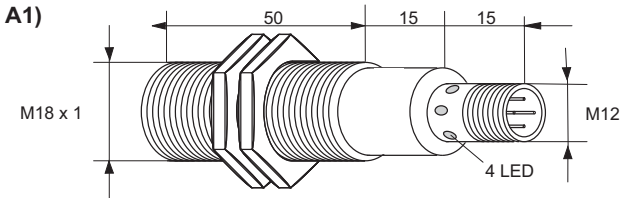
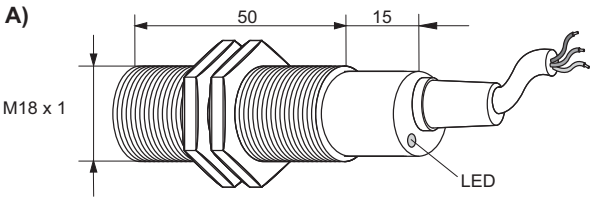
Article number	Designation switching distance 12mm	Mounting	Output signal	Connection	Drawing (next page)
08317845000	KJ12-M18MB65-DPS	shielded	PNP	2m cable PVC 3 x 0,34mm ²	A
08313181227	SJ12-M18MB65-DPÖ	shielded	PNP	2m cable PVC 3 x 0,34mm ²	A
08317845100	KJ12-M18MB65-DNS	shielded	NPN	2m cable PVC 3 x 0,34mm ²	A
08313181247	SJ12-M18MB65-DNÖ	shielded	NPN	2m cable PVC 3 x 0,34mm ²	A
08317845065	KJ12-M18MB76-DPS-V2	shielded	PNP	connector M12 4-pole	A1
08313121822	SJ12-M18MB76-DPÖ-V2	shielded	PNP	connector M12 4-pole	A1
08313121832	SJ12-M18MB76-DNS-V2	shielded	NPN	connector M12 4-pole	A1
08313121842	SJ12-M18MB76-DNÖ-V2	shielded	NPN	connector M12 4-pole	A1
	Designation switching distance 20mm				
08317845200	KJ20-M18MN65-DPS	non shielded	PNP	2m cable PVC 3 x 0,34mm ²	B
08313182027	SJ20-M18MN65-DPÖ	non shielded	PNP	2m cable PVC 3 x 0,34mm ²	B
08317845300	KJ20-M18MN65-DNS	non shielded	NPN	2m cable PVC 3 x 0,34mm ²	B
08313182047	SJ20-M18MN65-DNÖ	non shielded	NPN	2m cable PVC 3 x 0,34mm ²	B
08317845265	KJ20-M18MN76-DPS-V2	non shielded	PNP	connector M12 4-pole	B1
08313201822	SJ20-M18MN76-DPÖ-V2	non shielded	PNP	connector M12 4-pole	B1
08317845365	KJ20-M18MN76-DNS-V2	non shielded	NPN	connector M12 4-pole	B1
08313201842	SJ20-M18MN76-DNÖ-V2	non shielded	NPN	connector M12 4-pole	B1

Other cable lengths as requested.



CYLINDER M18

Dimensions



all data in mm

p-u-l-s-o-n-i-c
Pulsotronic GmbH & Co. KG

Neue Schichtstraße 14b
D-09366 Niederdorf

☎ +49 (0) 37296 / 930 - 200
☎ +49 (0) 37296 / 930 - 280

✉ info@pulsotronic.de
www.pulsotronic.de

subject to
modifications!



CYLINDER G20

General data

Operating voltage U_b	10V ... 30V DC
Ripple voltage of U_b	$\leq 10\%$
Voltage drop U_d	$\leq 2V$
Max. load current	200mA
Off-state current I_o	$\leq 10mA$
Residual current	$\leq 10\mu A$
Max. switching frequency f	SJ12... 300Hz SJ20... 100Hz
Hysteresis H	$\leq 15\%$ (Sr)
Repeatability R	$\leq 2\%$ (Sr)
Operating temperature T_a	-25°C ... +70°C
Temperature drift	$\leq 10\%$ (Sr)
Protection class	IP67
EMV-standard	according to IEC 60947-5-2
Switching state	LED
Housing material	polycarbonate



The drawings of these sensors are shown on the next page.

Selection chart

Article number	Designation switching distance 12mm	Mounting	Output signal	Connection	Drawing (next page)
08313201217	SJ12-G20KB80-DPS	shielded	PNP	2m cable PVC 3 x 0,34mm ²	A
08313201227	SJ12-G20KB80-DPÖ	shielded	PNP	2m cable PVC 3 x 0,34mm ²	A
08313201237	SJ12-G20KB80-DNS	shielded	NPN	2m cable PVC 3 x 0,34mm ²	A
08313201247	SJ12-G20KB80-DNÖ	shielded	NPN	2m cable PVC 3 x 0,34mm ²	A
08313122012	SJ12-G20KB92-DPS-V2/1	shielded	PNP	connector M12 4-pole	B
08313122022	SJ12-G20KB92-DPÖ-V2/1	shielded	PNP	connector M12 4-pole	B
08313122032	SJ12-G20KB92-DNS-V2/1	shielded	NPN	connector M12 4-pole	B
08313122042	SJ12-G20KB92-DNÖ-V2/1	shielded	NPN	connector M12 4-pole	B
	Designation switching distance 20mm				
08313202017	SJ20-G20KN80-DPS	non shielded	PNP	2m cable PVC 3 x 0,34mm ²	A
08313202027	SJ20-G20KN80-DPÖ	non shielded	PNP	2m cable PVC 3 x 0,34mm ²	A
08313202037	SJ20-G20KN80-DNS	non shielded	NPN	2m cable PVC 3 x 0,34mm ²	A
08313202047	SJ20-G20KN80-DNÖ	non shielded	NPN	2m cable PVC 3 x 0,34mm ²	A
08313202012	SJ20-G20KN92-DPS-V2/1	non shielded	PNP	connector M12 4-pole	B
08313202022	SJ20-G20KN92-DPÖ-V2/1	non shielded	PNP	connector M12 4-pole	B
08313202032	SJ20-G20KN92-DNS-V2/1	non shielded	NPN	connector M12 4-pole	B
08313202042	SJ20-G20KN92-DNÖ-V2/1	non shielded	NPN	connector M12 4-pole	B

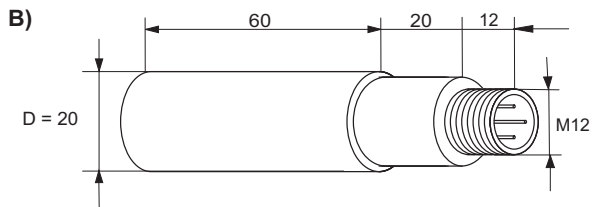
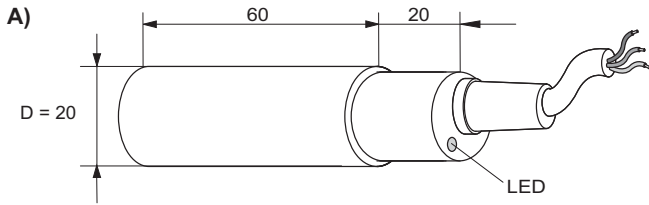
Other cable lengths as requested.



INDUCTIVE SENSORS XXL

CYLINDER G20

Dimensions



all data in mm



INDUCTIVE SENSORS XXL

CYLINDER M30

General data

Operating voltage U_b	10V ... 30V DC
Ripple voltage of U_b	$\leq 10\%$
Voltage drop U_d	$\leq 2V$
Max. load current	200mA
Off-state current I_0	$\leq 10mA$
Residual current	$\leq 50\mu A$
Max. switching frequency f	KJ22... 300Hz SJ22... 300Hz KJ40... 100Hz SJ40... 100Hz
Hysteresis H	$\leq 15\%$ (Sr)
Repeatability R	$\leq 2\%$ (Sr)
Operating temperature T_a	$-25^\circ C \dots +70^\circ C$
Temperature drift	$\leq 10\%$ (Sr)
Protection class	IP67
EMV-standard	according to IEC 60947-5-2
Switching state	LED
Housing material	brass, nickel-plated
Front cap	PBT



The drawings of these sensors are shown on the following page.

Selection chart

Article number	Designation switching distance 22mm	Mounting	Output signal	Connection	Drawing (next page)
08317865000	KJ22-M30MB65-DPS	shielded	PNP	2m cable PVC 3 x 0,5mm ²	A
08317865400	KJ22-M30MB65-DPÖ	shielded	PNP	2m cable PVC 3 x 0,5mm ²	A
08317865100	KJ22-M30MB65-DNS	shielded	NPN	2m cable PVC 3 x 0,5mm ²	A
08313302247	SJ22-M30MB65-DNÖ	shielded	NPN	2m cable PVC 3 x 0,5mm ²	A
08317865065	KJ22-M30MB80-DPS-V2	shielded	PNP	connector M12 4-pole	A1
08313223022	SJ22-M30MB80-DPÖ-V2	shielded	PNP	connector M12 4-pole	A1
08313223032	SJ22-M30MB80-DNS-V2	shielded	NPN	connector M12 4-pole	A1
08323223042	SJ22-M30MB80-DNÖ-V2	shielded	NPN	connector M12 4-pole	A1

	Designation switching distance 40mm				
08317865200	KJ40-M30MN80-DPS	non shielded	PNP	2m cable PVC 3 x 0,5mm ²	B
08313304027	SJ40-M30MN80-DPÖ	non shielded	PNP	2m cable PVC 3 x 0,5mm ²	B
08317865300	KJ40-M30MN80-DNS	non shielded	NPN	2m cable PVC 3 x 0,5mm ²	B
08313304047	SJ40-M30MN80-DNÖ	non shielded	NPN	2m cable PVC 3 x 0,5mm ²	B
08317865265	KJ40-M30MN95-DPS-V2	non shielded	PNP	connector M12 4-pole	B1
08313403022	SJ40-M30MN95-DPÖ-V2	non shielded	PNP	connector M12 4-pole	B1
08317865365	SJ40-M30MN95-DNS-V2	non shielded	NPN	connector M12 4-pole	B1
08313403042	SJ40-M30MN95-DNÖ-V2	non shielded	NPN	connector M12 4-pole	B1

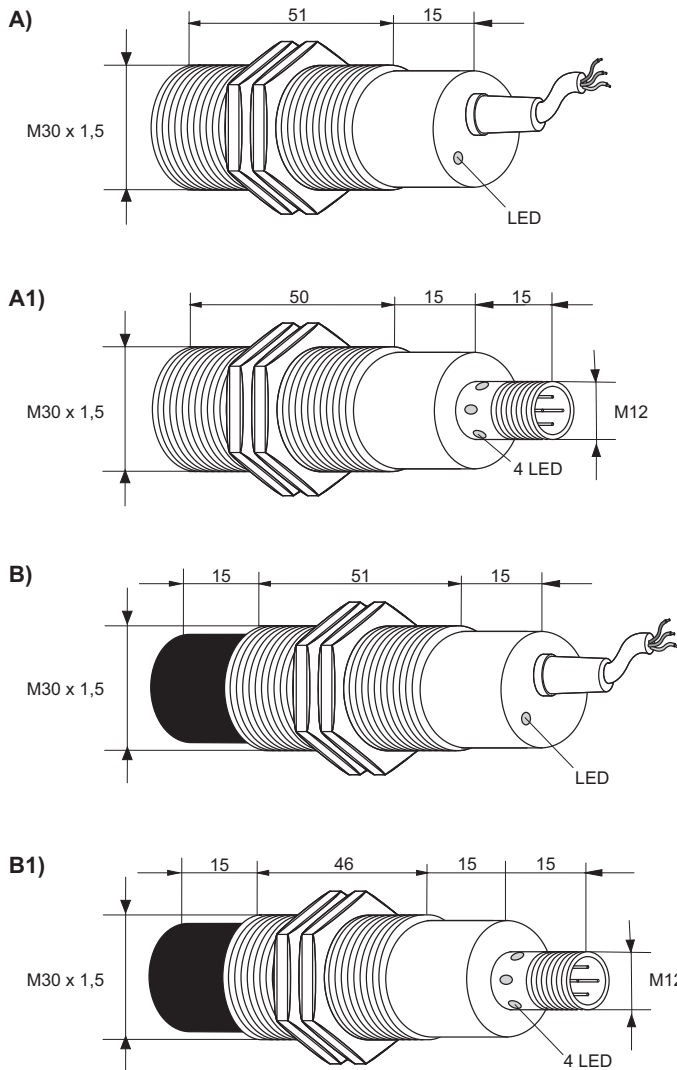
Other cable lengths as requested.



INDUCTIVE SENSORS XXL

CYLINDER M30

Dimensions



all data in mm



INDUCTIVE SENSORS XXL

CYLINDER G34

General data

Operating voltage U_b	10V ... 30V DC
Ripple voltage of U_b	$\leq 10\%$
Voltage drop U_d	$\leq 2V$
Max. load current	200mA
Off-state current I_o	$\leq 10mA$
Residual current	$\leq 10\mu A$
Max. switching frequency f	SJ22... 300Hz SJ40... 100Hz
Hysteresis H	$\leq 15\%$ (Sr)
Repeatability R	$\leq 2\%$ (Sr)
Operating temperature T_a	-25°C ... +70°C
Temperature drift	$\leq 10\%$ (Sr)
Protection class	IP67
EMV-standard	according to IEC 60947-5-2
Switching state	LED
Housing material	polycarbonate

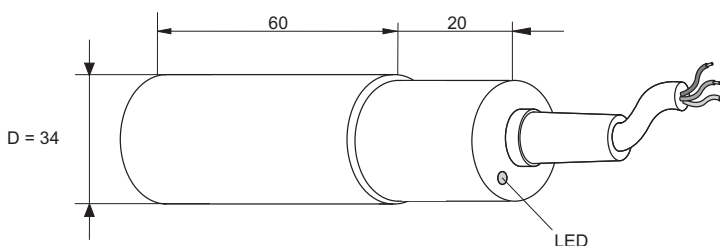


Selection chart

Article number	Designation switching distance 22mm	Mounting	Output signal	Connection	Drawing (next page)
08313342217	SJ22-G34KB80-DPS	shielded	PNP	2m cable PVC 3 x 0,5mm ²	A
08313342227	SJ22-G34KB80-DPÖ	shielded	PNP	2m cable PVC 3 x 0,5mm ²	A
08313342237	SJ22-G34KB80-DNS	shielded	NPN	2m cable PVC 3 x 0,5mm ²	A
08313342247	SJ22-G34KB80-DNÖ	shielded	NPN	2m cable PVC 3 x 0,5mm ²	A
	Designation switching distance 40mm				
08313344017	SJ40-G34KN80-DPS	non shielded	PNP	2m cable PVC 3 x 0,5mm ²	A
08313344027	SJ40-G34KN80-DPÖ	non shielded	PNP	2m cable PVC 3 x 0,5mm ²	A
08313344037	SJ40-G34KN80-DNS	non shielded	NPN	2m cable PVC 3 x 0,5mm ²	A
08313344047	SJ40-G34KN80-DNÖ	non shielded	NPN	2m cable PVC 3 x 0,5mm ²	A

Other cable lengths as requested.

Dimensions



all data in mm



INDUCTIVE SENSORS XXL

NOTES



NOTES



INDUCTIVE SENSORS XXL

NOTES
