



2/2-way solenoid valve

NC - Valve normally closed (as standard)

NO - Valve normally open (as option)

Force-pilot operated piston valve

No differential pressure is necessary for operation.

In standard (NC) the valve closes with spring power.

■ Solenoid valve for extended temperature range

## TECHNICAL SPECIFICATIONS

Type of control	Force-pilot operated, no pressure difference necessary
Design	Piston design
Connection	Flanges DN15 - DN100 EN 1092-1 Form B1/B2
Installation	Actuator downwards
Pressure	0 - 30 bar (see table on page 2)
Medium	Clean, neutral gaseous and liquid media
Max. viscosity	22 mm <sup>2</sup> /s
Temperature range	Medium: -40 °C / +300 °C Environment: -40 °C / +50 °C Taking into account other influencing parameters
Body material	Cast steel GP240 GH Stainless steel 1.4581
Metallic inner parts	Stainless steel
Sealing	metallic
Supply voltage	AC~ 24V, 110V, 230V via external rectifier (included in delivery) DC= 12V, 24V Other supply voltages on request
Voltage tolerance	-10% / +10%
Power consumption	T242 = 26 Watt T272 = 60 Watt T352 = 80 Watt
Protection class	IP65 according to DIN 60529
Duty factor	100% ED-VDE 0580
Connection type	Terminal box

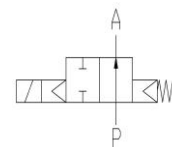
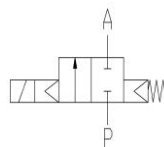
## VALVE FEATURES

- For media temperatures up to +300 °C
- No pressure difference is required
- High life time
- High-quality materials
- Reliable and sturdy sealing elements

## FUNCTION

NC – non energized closed

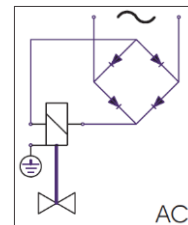
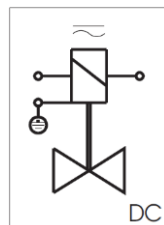
NO – non-energized open



## CONNECTION DIAGRAM

For AC/DC coils

For DC coils  
w/ integr. rectifier



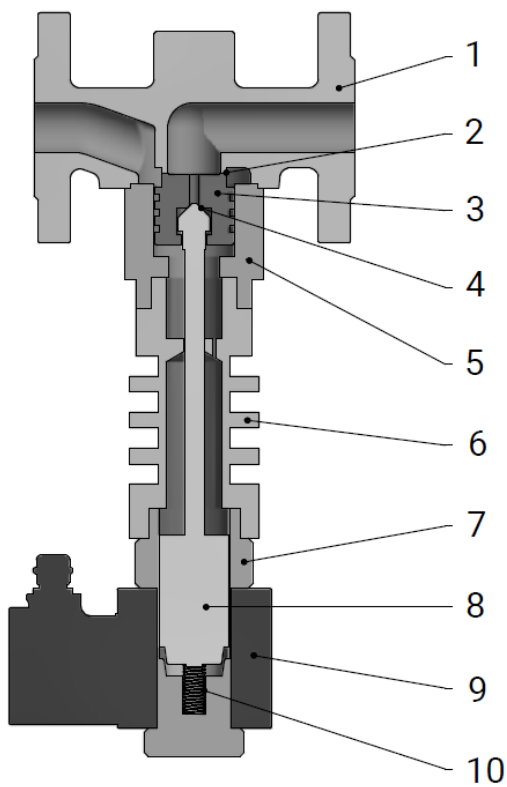
## CERTIFICATES



# TECHNICAL FEATURES

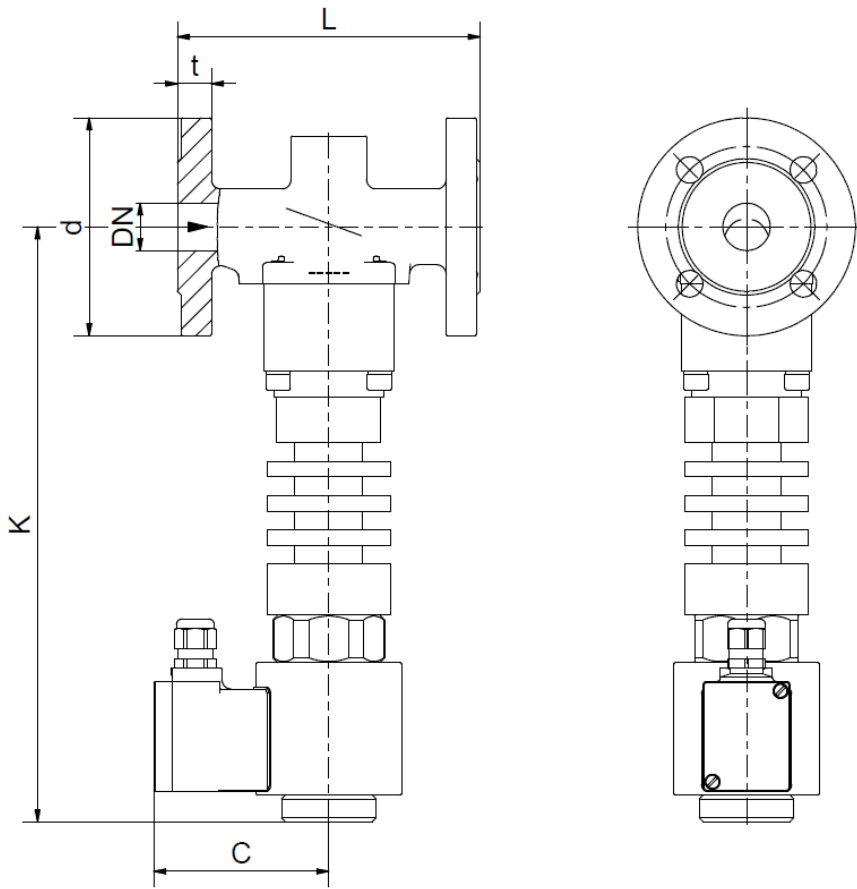
DN	Kv-value m <sup>3</sup> /h	Standard type	max. pressure for coils		
			T242-DT	T272-DT	T352-DT
15	5,0	2/164-01-..00-	0-25	-	-
20	11,0	2/164-02-..00-	0-16	0-30	-
25	13,0	2/164-03-..00-	0-16	0-30	-
32	28,0	2/164-04-..00-	-	0-25	0-30
40	30,0	2/164-05-..00-	-	0-25	0-30
50	46,0	2/164-06-..00-	-	0-25	0-30
65	75,0	2/164-07-..00-	-	0-12	0-20
80	97,0	2/164-08-..00-	-	-	0-16
100	143,0	2/164-09-..00-	-	-	0-5

The Kv values in the table apply to the larger drive



Description	
1	Valve body
2	Valve seat
3	Piston
4	Pilot seat
5	Bonnet
6	Distancing
7	Core tube
8	Plunger
9	Solenoid coil
10	Spring

# DIMENSIONS



Coil	T242			T272					
Type	2/164-01	2/164-02	2/164-03	2/164-02	2/164-03	2/164-04	2/164-05	2/164-06	2/164-07
DN	15	20	25	20	25	32	40	50	65
C	93	93	93	107	107	107	107	107	107
d	95	105	115	105	115	140	150	165	185
K	285	315	315	335	335	355	355	361	395
L	130	150	160	150	160	180	200	230	290
t	16	18	18	18	18	18	18	20	22
kg	6,7	10,0	10,6	14,2	14,7	18,1	18,1	20,0	32,4

Coil	T352					
Type	2/164-04	2/164-05	2/164-06	2/164-07	2/164-08	2/164-09
DN	32	40	50	65	80	100
C	127	127	127	127	127	127
d	140	150	165	185	200	235
K	430	430	415	461	476	491
L	180	200	230	290	310	350
t	18	18	20	22	24	24
kg	31,0	31,0	32,5	45,5	58,0	68,0

## INFORMATION

- It is imperative to observe the installation and safety instructions in our operating and service manuals.
- Required ordering information: valve type, function NC/NO, pressure range, connection, nominal width, medium, flow rate, medium and ambient temperatures, connection voltage.
- **For information on the heating and performance of solenoid coils, refer to the corresponding "Coils" data sheet.**
- **Detailed production-specific drawings and other technical information will be made available when an order is placed.**

## PLEASE NOTE

Each individual application decides which valve type is required, the main factor being the resistance of the materials to the operating medium. The correct selection of materials requires knowledge of the concentration, temperature and degree of contamination of the medium. Other criteria include the operating pressure and max. volumetric flow, since, in addition to high temperatures, high pressures and high flow rates must also be taken into account when selecting the materials.

**All materials used for our valves, be it housing, seals or magnets, will be carefully selected in view of the different application areas. Any information given is non-binding and serves for orientation only. No claims under warranty can be derived therefrom.**

## ORDERING CODE

Type	Connect.	Body	Sealing	Coil	Option
<b>2/164</b>	<b>03</b>	<b>08</b>	<b>00</b>	<b>T 27 2</b>	<b>DT</b>
	01 DN15	05 GP240 GH		24 26 W	2 Standard IP65
	02 DN20	08 St.steel 1.4581		27 60 W	
	03 DN25			35 80 W	DT +300 °C
	04 DN32	00 metallic			DH normally open
	05 DN40				
	06 DN50				
	07 DN65				
	08 DN80				
	09 DN100				

The GSR logo is a registered trademark of GSR Ventiltechnik GmbH & Co. KG

Note: All texts and images are the property of GSR Ventiltechnik GmbH & Co. KG and must not be replicated or modified, not even in part, without written approval

Original products may differ from the product images shown, due to different materials and the like

Subject to error and changes

GSR Ventiltechnik  
GmbH & Co. KG  
Im Meisenfeld 1  
D-32602 Vlotho  
T +49 5228 779-0  
info@ventiltechnik.de  
www.ventiltechnik.de