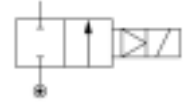


### General information

Lucifer ref.: 321K31  
 Global ref.: -  
 Housing ref.: 8993  
 Coil ref.: 488980  
 Protection class: -  
 Assembly wt. (g): 380

Body: Brass body  
 Seat disc: NBR  
 Ways notation: 2/2  
 Valve function: Normally closed  
 Valve actuation: Pilot operated  
 Mounting: Pipe mounting



### Specifications

#### Connection / Orifice

Port size (inches): 1/4  
 Nom. dia. (mm): 12  
 Orifice EXH. (mm): -

#### Flow factors

Qn (L/min): 2150  
 Qn EXH. (L/min): -  
 C (dm<sup>3</sup>/s bar): 7.6  
 Kv (L/min): 30  
 Kv EXH. (L/min): -  
 Qmax (L/min): 30

#### Temperature values (°C)

##### a. Fluid temperatures

	Min.	Max.
With air:	-10	75
With water:	0	75
With steam:	-	-
With oil:	-10	75

#### Pressure values (Bar)

Min. pressure: 0.30  
 Max. press. (DC): 7.00  
 Max. press. (AC): 10.00

#### Power values (W)

Power DC: 2.5  
 Power AC: 2

##### b. Ambient temperatures

Minimum: -10  
 Maximum: 50

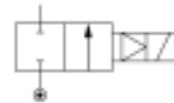
**Dimension drawing**

	A	B	C	D	E	F	G	H	I	J	Dia.
	inch	mm	mm	mm	mm	mm	mm	mm	mm	mm	mm
<b>K31</b>	1/4	25	50	6.2	26	27	5.5	81	39	61	40
<b>K33</b>	3/8	25	50	6.2	26	27	5.5	81	39	61	40
<b>K35</b>	1/2	27.5	55	6.2	26	27	5.5	81	39	61	40
<b>K36</b>	3/4	40	80	9	33.5	32	8	96.5	46	68.5	56
<b>K37</b>	1	42.5	85	14.2	33.5	41	8	96.5	56	68.5	56

### General information

Lucifer ref.: 321K3106  
 Global ref.: -  
 Housing ref.: 8993  
 Coil ref.: 488980  
 Protection class: -  
 Assembly wt. (g): 380

Body: Brass body  
 Seat disc: FKM  
 Ways notation: 2/2  
 Valve function: Normally closed  
 Valve actuation: Pilot operated  
 Mounting: Pipe mounting



### Specifications

#### Connection / Orifice

Port size (inches): 1/4  
 Nom. dia. (mm): 12  
 Orifice EXH. (mm): -

#### Flow factors

Qn (L/min): 2150  
 Qn EXH. (L/min): -  
 C (dm<sup>3</sup>/s bar): 7.6  
 Kv (L/min): 30  
 Kv EXH. (L/min): -  
 Qmax (L/min): 30

#### Temperature values (°C)

##### a. Fluid temperatures

	Min.	Max.
With air:	-10	75
With water:	0	75
With steam:	-	-
With oil:	-10	75

#### Pressure values (Bar)

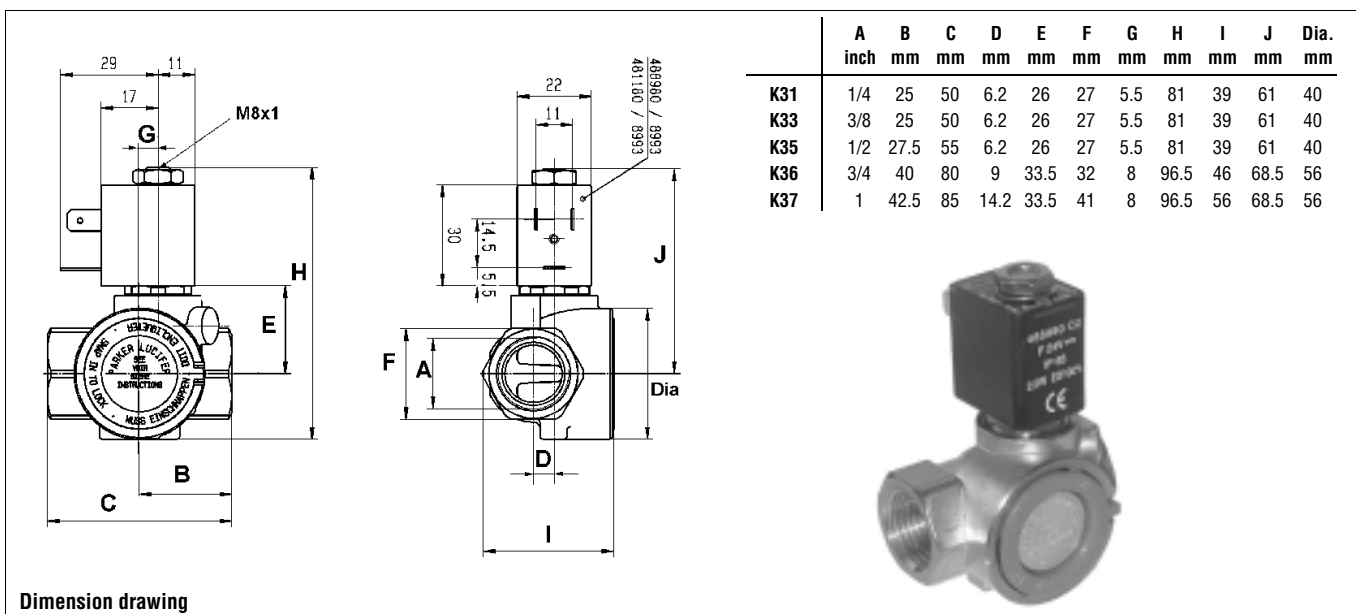
Min. pressure: 0.30  
 Max. press. (DC): 7.00  
 Max. press. (AC): 10.00

#### Power values (W)

Power DC: 2.5  
 Power AC: 2

##### b. Ambient temperatures

Minimum: -10  
 Maximum: 50

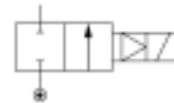




### General information

Lucifer ref.: 321K3306  
 Global ref.: -  
 Housing ref.: 8993  
 Coil ref.: 488980  
 Protection class: -  
 Assembly wt. (g): 380

Body: Brass body  
 Seat disc: FKM  
 Ways notation: 2/2  
 Valve function: Normally closed  
 Valve actuation: Pilot operated  
 Mounting: Pipe mounting



### Specifications

#### Connection / Orifice

Port size (inches): 3/8  
 Nom. dia. (mm): 12  
 Orifice EXH. (mm): -

#### Flow factors

Qn (L/min): 3050  
 Qn EXH. (L/min): -  
 C (dm<sup>3</sup>/s bar): 10.8  
 Kv (L/min): 45  
 Kv EXH. (L/min): -  
 Qmax (L/min): 45

#### Temperature values (°C)

##### a. Fluid temperatures

	Min.	Max.
With air:	-10	75
With water:	0	75
With steam:	-	-
With oil:	-10	75

#### Pressure values (Bar)

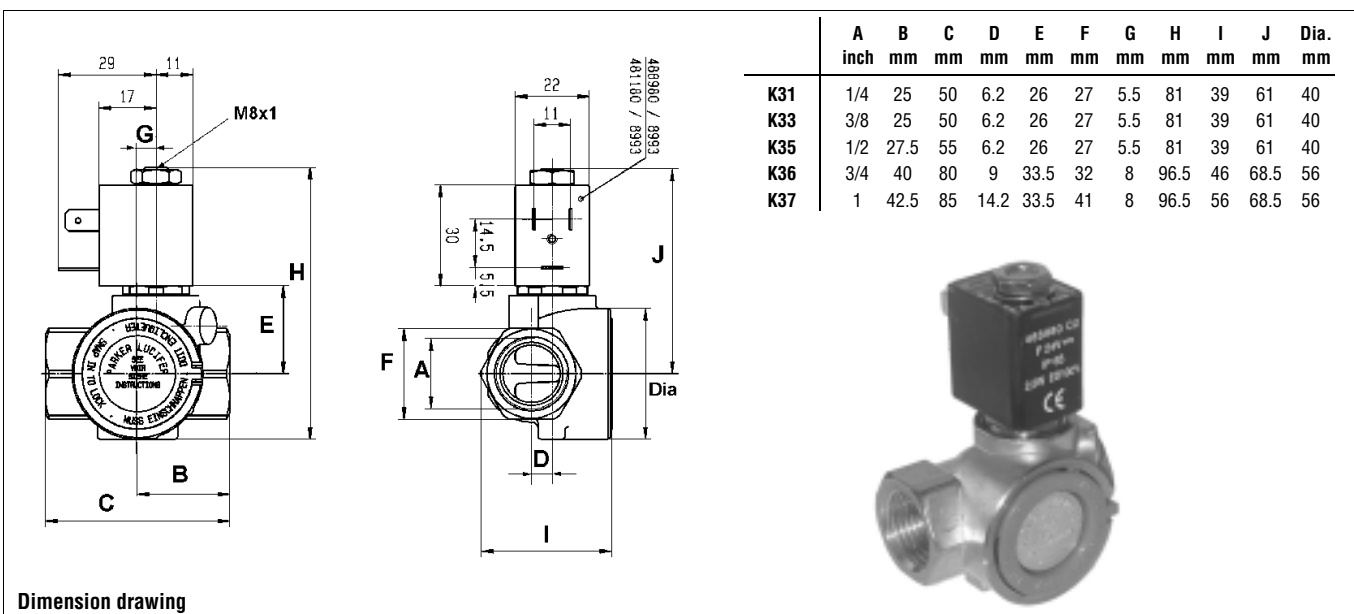
Min. pressure: 0.30  
 Max. press. (DC): 7.00  
 Max. press. (AC): 10.00

#### Power values (W)

Power DC: 2.5  
 Power AC: 2

##### b. Ambient temperatures

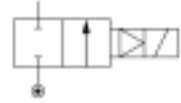
Minimum: -10  
 Maximum: 50



### General information

Lucifer ref.: 321K35  
 Global ref.: -  
 Housing ref.: 8993  
 Coil ref.: 488980  
 Protection class: -  
 Assembly wt. (g): 380

Body: Brass body  
 Seat disc: NBR  
 Ways notation: 2/2  
 Valve function: Normally closed  
 Valve actuation: Pilot operated  
 Mounting: Pipe mounting



### Specifications

#### Connection / Orifice

Port size (inches): 1/2  
 Nom. dia. (mm): 12  
 Orifice EXH. (mm): -

#### Flow factors

Qn (L/min): 3400  
 Qn EXH. (L/min): -  
 C (dm<sup>3</sup>/s bar): 12  
 Kv (L/min): 50  
 Kv EXH. (L/min): -  
 Qmax (L/min): 50

#### Temperature values (°C)

##### a. Fluid temperatures

	Min.	Max.
With air:	-10	75
With water:	0	75
With steam:	-	-
With oil:	-10	75

#### Pressure values (Bar)

Min. pressure: 0.30  
 Max. press. (DC): 7.00  
 Max. press. (AC): 10.00

#### Power values (W)

Power DC: 2.5  
 Power AC: 2

##### b. Ambient temperatures

Minimum: -10  
 Maximum: 50

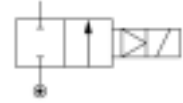
**Dimension drawing**

	A	B	C	D	E	F	G	H	I	J	Dia.
	inch	mm	mm	mm	mm	mm	mm	mm	mm	mm	mm
<b>K31</b>	1/4	25	50	6.2	26	27	5.5	81	39	61	40
<b>K33</b>	3/8	25	50	6.2	26	27	5.5	81	39	61	40
<b>K35</b>	1/2	27.5	55	6.2	26	27	5.5	81	39	61	40
<b>K36</b>	3/4	40	80	9	33.5	32	8	96.5	46	68.5	56
<b>K37</b>	1	42.5	85	14.2	33.5	41	8	96.5	56	68.5	56

## General information

Lucifer ref.: 321K3506  
 Global ref.: -  
 Housing ref.: 8993  
 Coil ref.: 488980  
 Protection class: -  
 Assembly wt. (g): 380

Body: Brass body  
 Seat disc: FKM  
 Ways notation: 2/2  
 Valve function: Normally closed  
 Valve actuation: Pilot operated  
 Mounting: Pipe mounting



## Specifications

### Connection / Orifice

Port size (inches): 1/2  
 Nom. dia. (mm): 12  
 Orifice EXH. (mm): -

### Flow factors

Qn (L/min): 3400  
 Qn EXH. (L/min): -  
 C (dm<sup>3</sup>/s bar): 12  
 Kv (L/min): 50  
 Kv EXH. (L/min): -  
 Qmax (L/min): 50

### Temperature values (°C)

#### a. Fluid temperatures

	Min.	Max.
With air:	-10	75
With water:	0	75
With steam:	-	-
With oil:	-10	75

### Pressure values (Bar)

Min. pressure: 0.30  
 Max. press. (DC): 7.00  
 Max. press. (AC): 10.00

### Power values (W)

Power DC: 2.5  
 Power AC: 2

#### b. Ambient temperatures

Minimum: -10  
 Maximum: 50

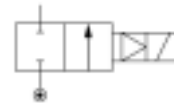
**Dimension drawing**

	A	B	C	D	E	F	G	H	I	J	Dia.
	inch	mm	mm	mm	mm	mm	mm	mm	mm	mm	mm
<b>K31</b>	1/4	25	50	6.2	26	27	5.5	81	39	61	40
<b>K33</b>	3/8	25	50	6.2	26	27	5.5	81	39	61	40
<b>K35</b>	1/2	27.5	55	6.2	26	27	5.5	81	39	61	40
<b>K36</b>	3/4	40	80	9	33.5	32	8	96.5	46	68.5	56
<b>K37</b>	1	42.5	85	14.2	33.5	41	8	96.5	56	68.5	56

### General information

Lucifer ref.: 321K36  
 Global ref.: -  
 Housing ref.: 8993  
 Coil ref.: 488980  
 Protection class: -  
 Assembly wt. (g): 590

Body: Brass body  
 Seat disc: NBR  
 Ways notation: 2/2  
 Valve function: Normally closed  
 Valve actuation: Pilot operated  
 Mounting: Pipe mounting



### Specifications

#### Connection / Orifice

Port size (inches): 3/4  
 Nom. dia. (mm): 18  
 Orifice EXH. (mm): -

#### Flow factors

Qn (L/min): 9400  
 Qn EXH. (L/min): -  
 C (dm<sup>3</sup>/s bar): 33  
 Kv (L/min): 100  
 Kv EXH. (L/min): -  
 Qmax (L/min): 100

#### Temperature values (°C)

##### a. Fluid temperatures

	Min.	Max.
With air:	-10	75
With water:	0	75
With steam:	-	-
With oil:	-10	75

#### Pressure values (Bar)

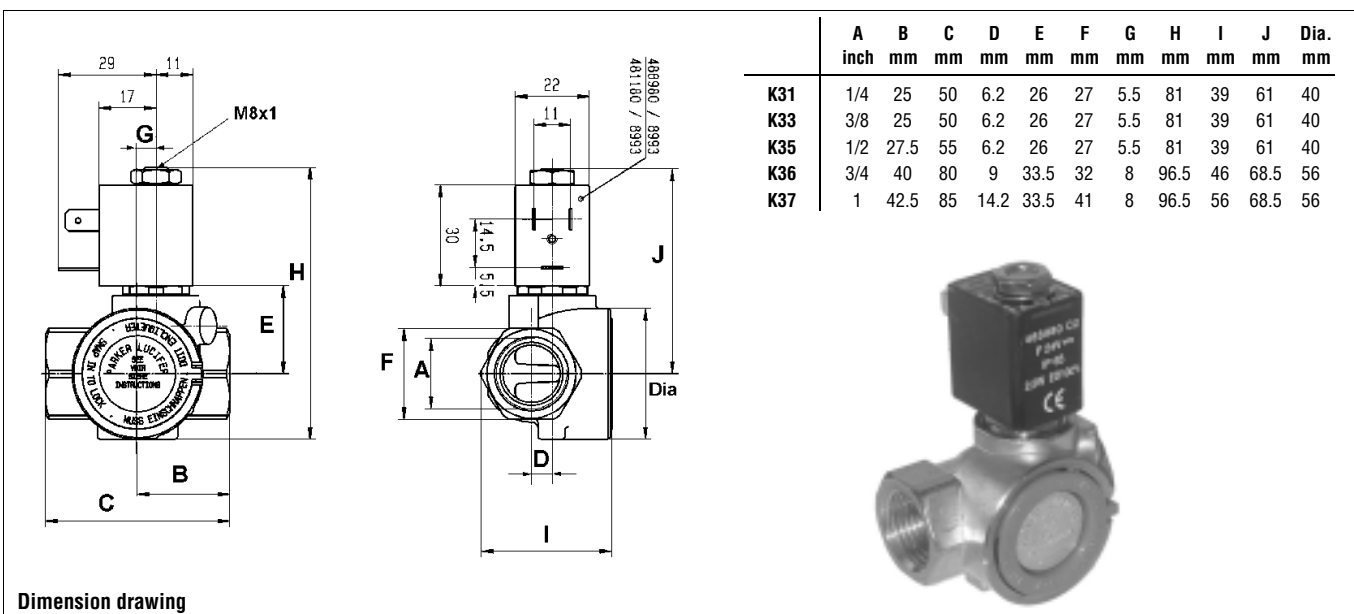
Min. pressure: 0.30  
 Max. press. (DC): 7.00  
 Max. press. (AC): 10.00

#### Power values (W)

Power DC: 2.5  
 Power AC: 2

##### b. Ambient temperatures

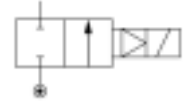
Minimum: -10  
 Maximum: 50



### General information

Lucifer ref.: 321K3606  
 Global ref.: -  
 Housing ref.: 8993  
 Coil ref.: 488980  
 Protection class: -  
 Assembly wt. (g): 590

Body: Brass body  
 Seat disc: FKM  
 Ways notation: 2/2  
 Valve function: Normally closed  
 Valve actuation: Pilot operated  
 Mounting: Pipe mounting



### Specifications

#### Connection / Orifice

Port size (inches): 3/4  
 Nom. dia. (mm): 18  
 Orifice EXH. (mm): -

#### Flow factors

Qn (L/min): 9400  
 Qn EXH. (L/min): -  
 C (dm<sup>3</sup>/s bar): 33  
 Kv (L/min): 100  
 Kv EXH. (L/min): -  
 Qmax (L/min): 100

#### Temperature values (°C)

##### a. Fluid temperatures

	Min.	Max.
With air:	-10	75
With water:	0	75
With steam:	-	-
With oil:	-10	75

#### Pressure values (Bar)

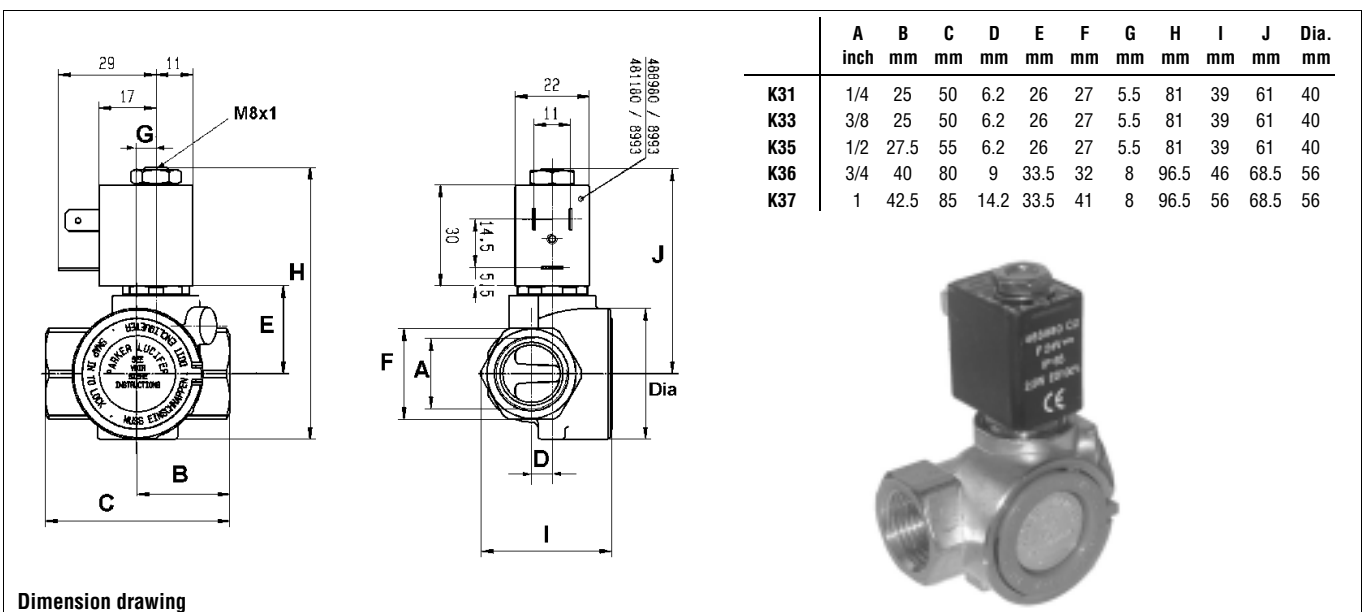
Min. pressure: 0.30  
 Max. press. (DC): 7.00  
 Max. press. (AC): 10.00

#### Power values (W)

Power DC: 2.5  
 Power AC: 2

##### b. Ambient temperatures

Minimum: -10  
 Maximum: 50

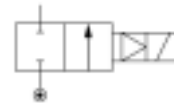




### General information

Lucifer ref.: 321K37  
 Global ref.: -  
 Housing ref.: 8993  
 Coil ref.: 488980  
 Protection class: -  
 Assembly wt. (g): 735

Body: Brass body  
 Seat disc: NBR  
 Ways notation: 2/2  
 Valve function: Normally closed  
 Valve actuation: Pilot operated  
 Mounting: Pipe mounting



### Specifications

#### Connection / Orifice

Port size (inches): 1  
 Nom. dia. (mm): 18  
 Orifice EXH. (mm): -

#### Flow factors

Qn (L/min): 10150  
 Qn EXH. (L/min): -  
 C (dm<sup>3</sup>/s bar): 36  
 Kv (L/min): 110  
 Kv EXH. (L/min): -  
 Qmax (L/min): 110

#### Temperature values (°C)

##### a. Fluid temperatures

	Min.	Max.
With air:	-10	75
With water:	0	75
With steam:	-	-
With oil:	-10	75

#### Pressure values (Bar)

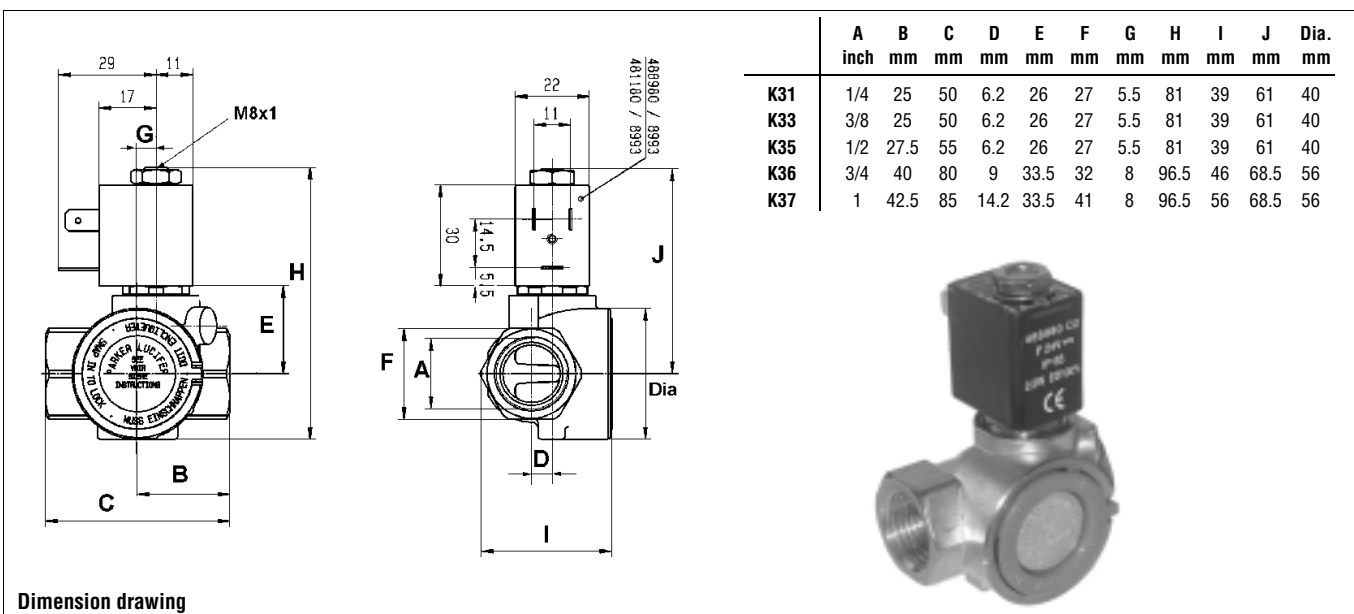
Min. pressure: 0.30  
 Max. press. (DC): 7.00  
 Max. press. (AC): 10.00

#### Power values (W)

Power DC: 2.5  
 Power AC: 2

##### b. Ambient temperatures

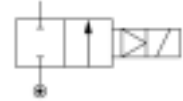
Minimum: -10  
 Maximum: 50



### General information

Lucifer ref.: 321K3706  
 Global ref.: -  
 Housing ref.: 8993  
 Coil ref.: 488980  
 Protection class: -  
 Assembly wt. (g): 735

Body: Brass body  
 Seat disc: FKM  
 Ways notation: 2/2  
 Valve function: Normally closed  
 Valve actuation: Pilot operated  
 Mounting: Pipe mounting



### Specifications

#### Connection / Orifice

Port size (inches): 1  
 Nom. dia. (mm): 18  
 Orifice EXH. (mm): -

#### Flow factors

Qn (L/min): 10150  
 Qn EXH. (L/min): -  
 C (dm<sup>3</sup>/s bar): 36  
 Kv (L/min): 110  
 Kv EXH. (L/min): -  
 Qmax (L/min): 110

#### Temperature values (°C)

##### a. Fluid temperatures

	Min.	Max.
With air:	-10	75
With water:	0	75
With steam:	-	-
With oil:	-10	75

#### Pressure values (Bar)

Min. pressure: 0.30  
 Max. press. (DC): 7.00  
 Max. press. (AC): 10.00

#### Power values (W)

Power DC: 2.5  
 Power AC: 2

##### b. Ambient temperatures

Minimum: -10  
 Maximum: 50

