

Flanged Control Valve 7036

DN 15 up to DN 65



Pneumatically operated control valve with integrated positioner for the control of neutral, slightly aggressive and highly aggressive media.

- Unaffected by lightly contaminated media
- Body completely stainless steel
- Integrated positioner
 - pneumatic or
 - electro-pneumatic
 - digital
- Working pressure up to 40 bar



Technical Information

Nominal size	DN 15 up to DN 65, PN40
Connections	flange acc. DIN EN 1092-1 flange acc. ANSI #150
Nominal pressure	PN 40 / ANSI #150
Max. fluid temperature:	
with metal bonnet	-30°C up to +200°C
with plastic bonnet	-30°C up to +135°C
with diaphragm actuator	-30°C up to +200°C
Ambient temperature	analog positioner: -30°C up to +60°C digital positioner: -10°C up to +75°C
Viscosity of the fluid	maximum 600 mm ² /s (600cSt, 80°E)
Vacuum	maximum 0,001 bar abs
Working pressure for packing underneath	maximum 12 bar

*: Please consider further temperature versions and limits in technical bulletin 32



TÜVRheinland®
TA-Luft zertifiziert

Materials

Body	Stainless steel 1.4408
Seating seal	PTFE
Bonnet	Brass chrome plated (actuator Ø 80 mm) Aluminium corrosion protected (actuator Ø 125 mm)
Diaphragm actuator	Stainless steel 1.4301/1.4305
Actuator springs	Stainless steel 1.4310 (actuator Ø 80 mm, diaphr.act.) Spring steel wire C, zinc coated (actuator Ø 125 mm)
Packing	PTFE (carbon filled), spring 1.4310
Valve stem	Stainless steel 1.4571, roller burnished
Position indicator	PA Trogamid (clear)

Positioner

For technical information of our positioners please refer to the corresponding data sheets.

Flanged Control Valve 7036

with integrated positioner



Kvs-Value

DN	linear					equal percentage				
	15	20	25	32	40	15	20	25	32	40
100 %	3,8	8,8	14	20	27	3	6	10	16	25
40 %	1,5	3,5	5,8	8	11	1,2	2,4	4	6	10
25 %	0,93	2,2	3,6	-	-	0,8	1,5	2,6	-	-
15%	-	-	-	-	-	0,46	-	-	-	-
10%	0,4	-	-	-	-	-	-	-	-	-
7,5%	-	-	-	-	-	0,23	-	-	-	-

Admissible Pressure Difference

digital positioner

DN	Differential pressure	Pilot pressure	Piston Ø	Springs
	bar	bar	mm	Number
15	17	4 bis 6	80	2
20	17	4 bis 6	80	2
25	17	4 bis 6	80	1
32	10	4 bis 6	80	1
32	17	3 bis 6	125	2
40	6	4 bis 6	80	1
40	17	4 bis 6	125	3

p/p-positioner i/p-positioner

DN	Differential pressure	Pilot pressure	Piston Ø	Springs
	bar	bar	mm	Number
15	17	4 - 6	80	2
20	17	4 - 6	80	2
25	12	4 - 6	80	1
32	7	4 - 6	80	1
32	13	3 - 6	125	2
40	4	4 - 6	80	1
40	11	4 - 6	125	3

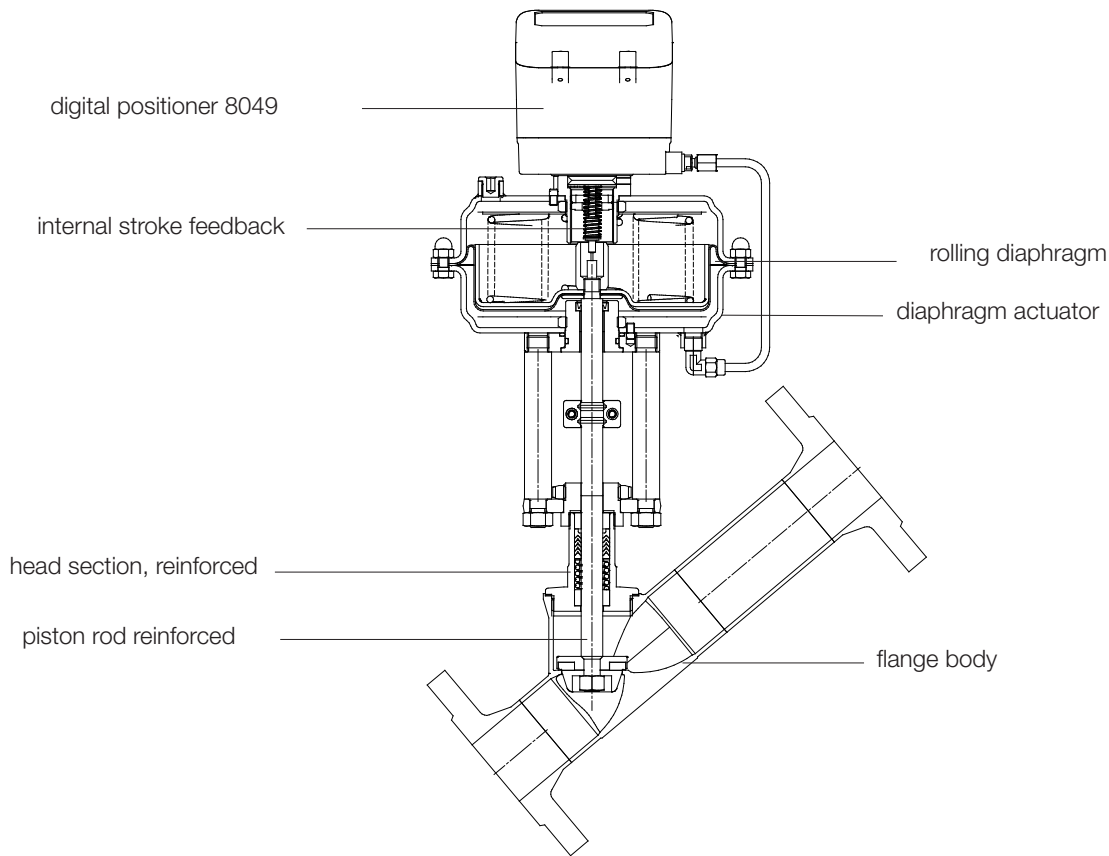
diaphragm actuator, direct pressure range

DN	Differential pressure (bar)		Supply air (bar)		Diaphragm area (mm ²)
	spring range	spring range	spring range	spring range	
	0,2 - 1 bar	0,4 - 2 bar	0,2 - 1 bar	0,4 - 2 bar	
15	17	17	1,2	2,4	250
20	17	17	1,2	2,4	250
25	9	17	1,2	2,4	250
32	5	15	1,2	2,4	250
40	3	10	1,2	2,4	250
50	2	6	1,2	2,4	250

Flanged Control Valve 7036, reinforced design



with integrated positioner



Admissible Pressure Difference

digital positioner

DN	Differential pressure		Supply pressure range bar	Piston Ø mm	Springs number
	PTFE	PEEK			
50	3	-	4 - 6	80	1
50	9	3	4 - 6	125	3
50	12	5	3 - 6	250	6
50	17	10	4 - 6	250	8 *
50	17	17	4 - 6	250	12
65	5	-	4 - 6	125	3
65	13	8	4 - 6	250	12

p/p-positioner i/p-positioner

DN	Differential pressure (bar)	Supply pressure range bar	Piston Ø mm	Springs number
	PTFE			
50	2	4 - 6	80	1
50	6	4 - 6	125	3
50	13	4 - 6	250	10
50	16,9	4 - 6	250	12 *
65	9,3	4 - 6	250	12

* spring configuration, standard

Kvs-Value

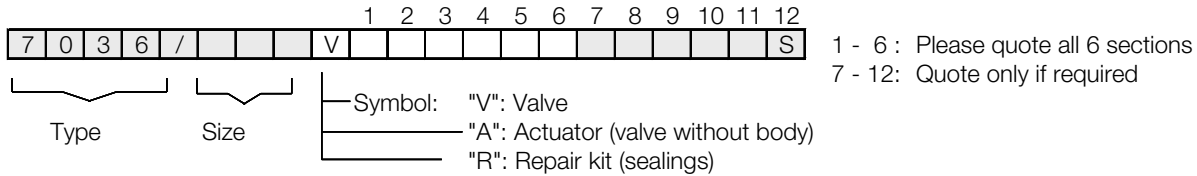
DN	linear		equal percentage	
	50	65	50	65
100%	43	52	36	45
63%	27	32	23	29

Flanged Control Valve 7036

with integrated positioner



Ordering Number System



1. Body type	2. Connection	3. Body materials	4. Seat materials	5. Positioner	6. Actuator	7. Springs
2 flanged control valve Type 7036	9 angle bodied flange valve DIN EN 1092-1 dto. ANSI #150 C	2 stainless steel 1.4408	0 PTFE (Teflon)	6 p/p positioner Type 8047 7 i/p positioner Type 8047 8 i/p positioner with plug connec. M12x1 Type 8047 as above, but for hazardous location use II 2 G EEx ib IIC T6 9 plug conn. M12x1 Type 8047 dig. positioner, Type 8049, 4 wire C dig. positioner, Type 8049, 2 wire R dig. positioner Type 8049, AS-i version T dig. positioner Type 8049, AS-i version W dig. positioner Type 8049, 2 wire, ex-version	1 piston 80 mm 2 piston 125 mm C diaphragm D250 mm	- standard spring configuration 1 spring to open (only with dig. positioner) P spring set 0,2-1 bar(D250) T 6 springs (D250) W 8 springs (D250) Y 12 springs (D250)
8. Characteristic	9. Packing	10. Kvs-value	11. Accessories	12. Further special versions	13. Seal	14. Position indicator
- linear 1 equal percentage	- standard 2 packing underneath	- full Kvs-value 1 red. to 40% 2 red. to 25% 3 red. to 15% 4 red. to 7.5% 5 red. to 22.5% 6 red. to 10%	- without 6 pilot-valve DN2 230V AC 7 pilot-valve DN2 24V DC	S to state if some stations are quoted!	- standard	0 with position indicator (dig. positioner standard)

Ordering Example: 7036/020V292061-1---S-0
Flanged control valve with pneumatic positioner, nominal size DN20,
stainless steel body PTFE sealing, 80mm piston, equal percentage characteristic 100 %
Kvs-value = 6, with position indicator

reinforced design (from DN50):

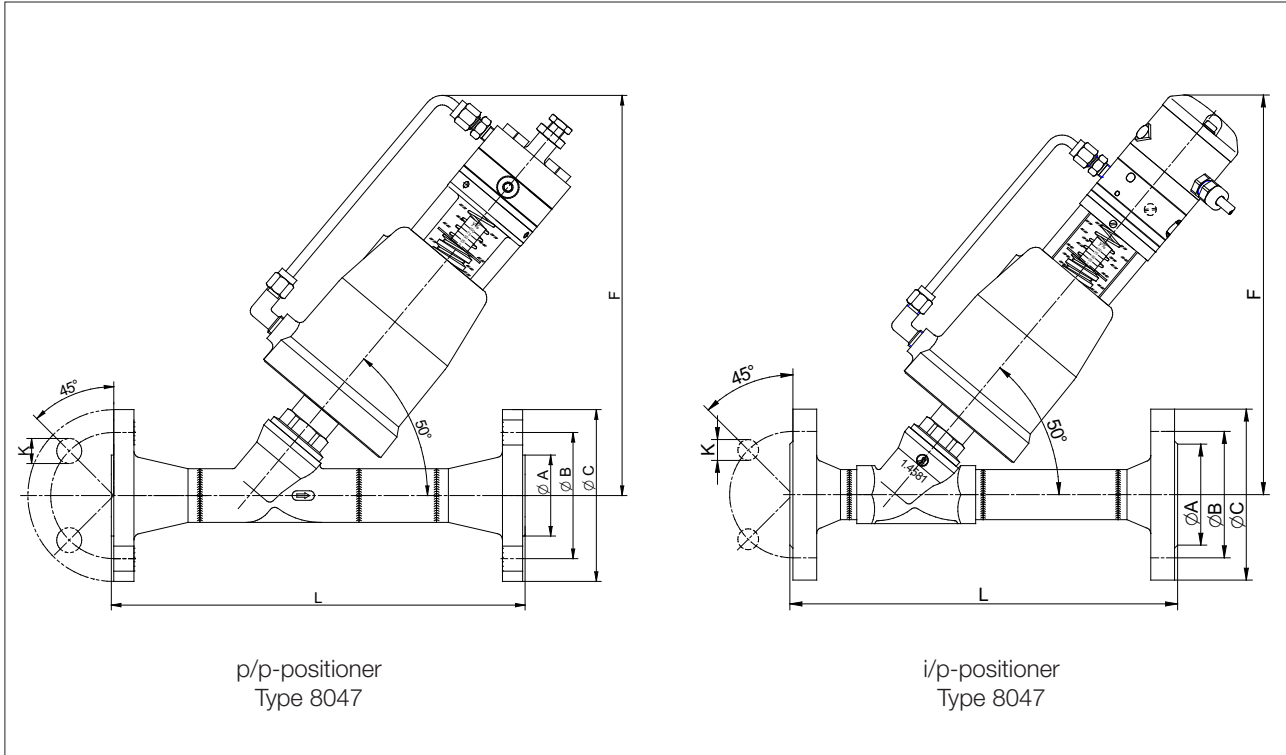
Ordering Example: 7036/050V2920CCT----S-----K
Flanged control valve Typ 7036 with digital positioner 8049 4-wire, DN50, stainless steel
body, PTFE sealing, Ø250mm piston, six springs, linear characteristic, reinforced design
„K“ reinforced design

Flanged Control Valve 7036

with integrated positioner



Dimensions and Weights



DN	Actuator	A	B	C	D	F		H stroke	K	L*	N	Weight (kg)	
						p/p	i/p					p/p	i/p
15	80	45	65	95	98	245	260	7	14	230	4	5,3	5,6
20	80	58	75	105	98	245	260	12	14	260	4	6,1	6,4
25	80	68	85	115	98	255	270	16	14	260	4	6,8	7,1
32	80	78	100	140	98	270	285	20	18	300	4	8,4	8,6
32	125	78	100	140	146	300	315	20	18	300	4	10,9	11,2
40	80	88	110	150	98	275	290	23	18	300	4	9,1	9,4
40	125	88	110	150	146	305	320	23	18	300	4	11,7	12,0

reinforced design:

50	80	102	125	165	98	280	295	29	18	350	4	11,1	11,4
50	125	102	125	165	146	310	325	29	18	350	4	13,7	14,0

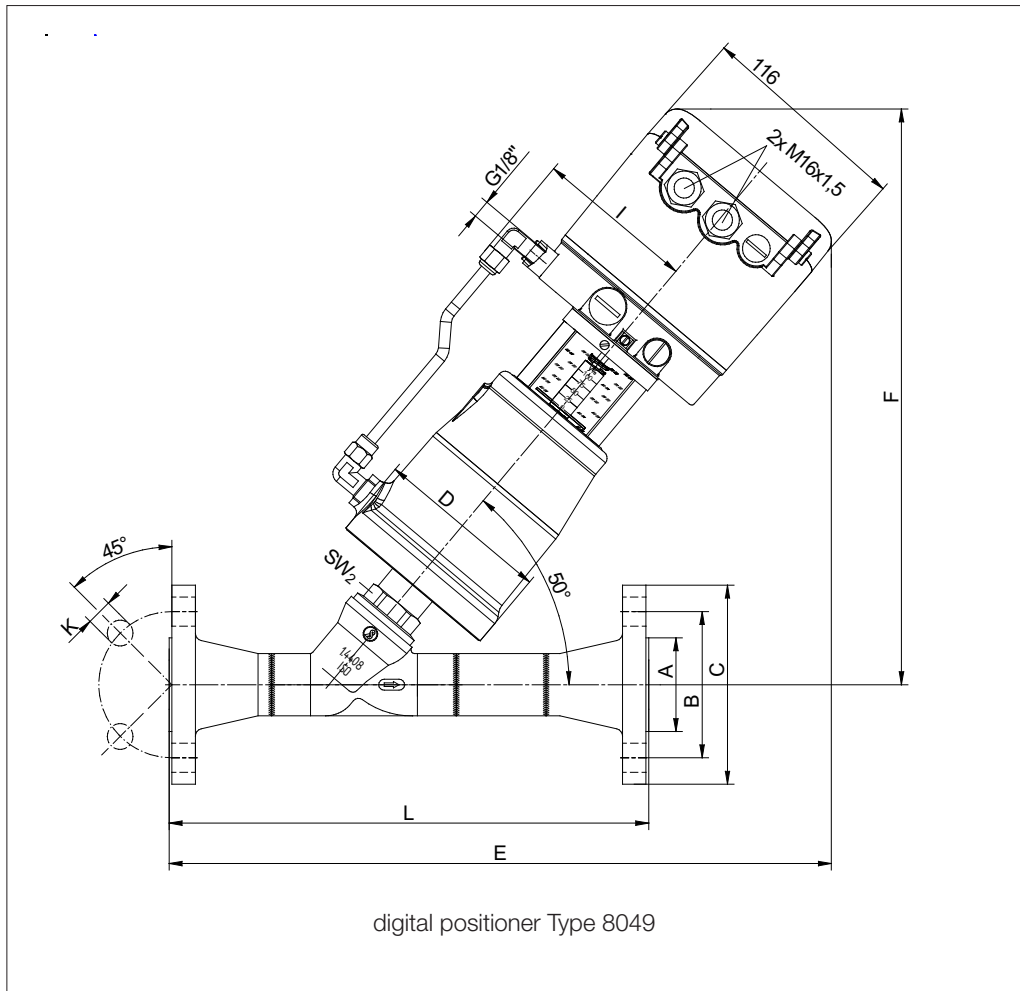
*body dimensions L acc. DIN EN 558-92 (old: DIN 3202-F3) Dimensions in mm

Flanged Control Valve 7036

with integrated positioner



Dimensions and Weights



DN	Actuator	A	B	C	D	E	F	I	SW2	K	L*	N	Weight (kg) Type 8049
15	80	45	65	95	98	330	302	80	30	14	230	4	6,0
20	80	58	75	105	98	335	307	80	30	14	260	4	6,8
25	80	68	85	115	98	345	312	80	30	14	260	4	7,5
32	80	78	100	140	98	365	327	80	30	18	300	4	8,7
32	125	78	100	140	146	395	357	105	30	18	300	4	11,6
40	80	88	110	150	98	370	332	80	30	18	300	4	9,8
40	125	88	110	150	146	400	362	105	30	18	300	4	12,4

reinforced design:

50	80	102	125	165	98	390	342	80	32	18	350	4	11,8
50	125	102	125	165	146	420	372	105	32	18	350	4	14,4
65	125	122	145	185	146	452	377	105	36	18	400	8	17,4

*body dimension L acc. DIN EN 558-92 (old: DIN 3202-F3)

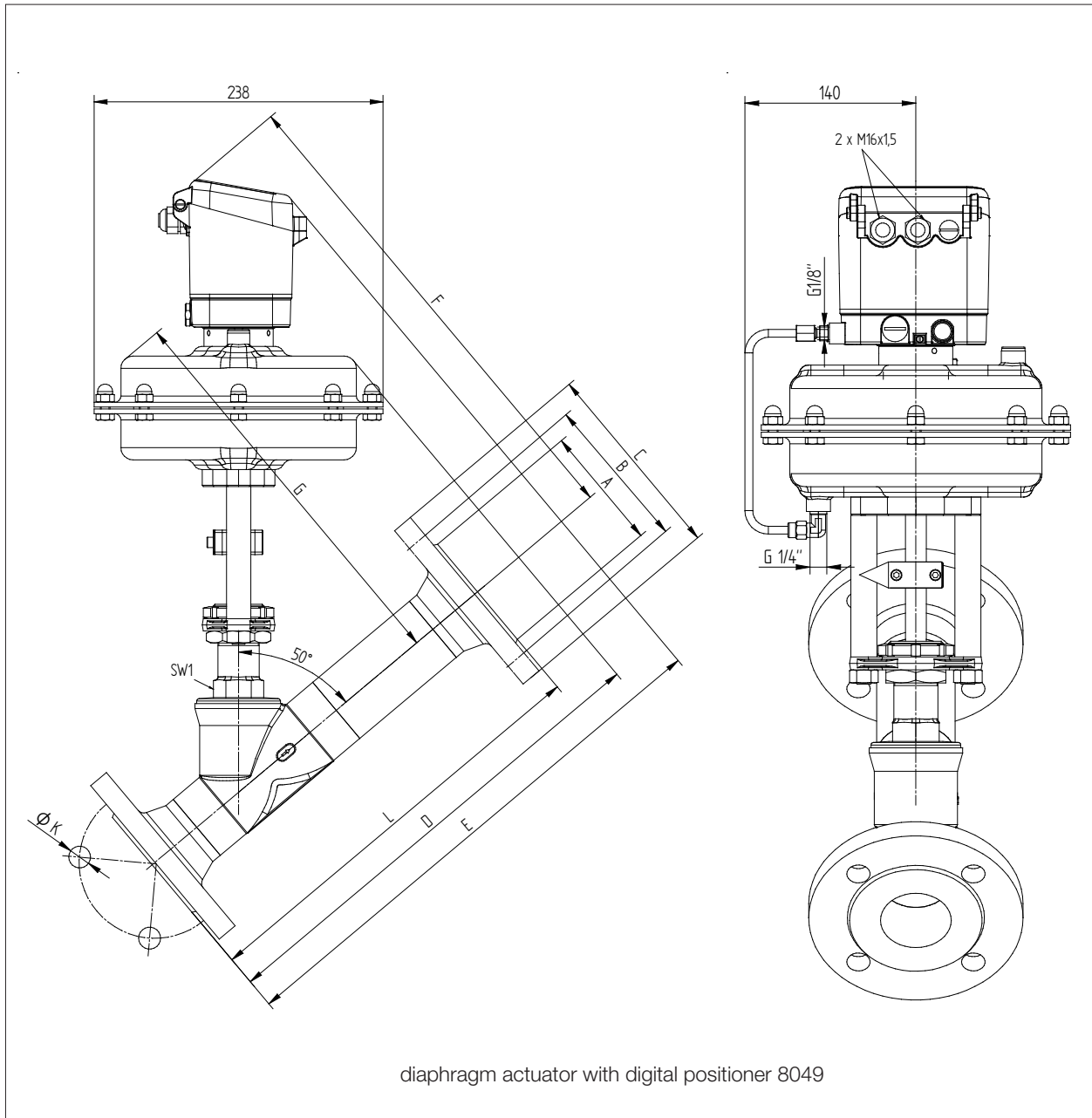
Dimensions in mm

Flanged Control Valve 7036, reinforced design



with integrated positioner

Dimensions and Weights



diaphragm actuator with digital positioner 8049

Text and pictures are not binding. We reserve the right to alter the equipment.

DN	A		B		C		D	E	F	G	SW1	K		L*	N holes	Weight (kg)
	PN40	ANSI150	PN40	ANSI150	PN40	ANSI150						PN40	ANSI 150			
15	45	35,1	65	60,5	95	88,9	330	385	350	280	30	14	15,75	230	4	18,7
20	58	43	75	69,9	105	98,6	340	395	360	290	30	14	15,75	260	4	18,8
25	68	50,8	85	79,3	115	108	345	400	370	300	30	14	15,75	300	4	19
32	78	63,5	100	88,9	140	117,4	360	415	385	310	30	18	15,75	300	4	19,1
40	88	73,5	110	98,6	150	127	370	425	395	320	30	18	15,75	300	4	19,3
50	102	92	125	120,7	165	152,4	400	430	405	335	36	18	19	350	4	19,6
65	122	104,7	145	139,5	185	177,8	420	480	420	350	36	18	19	400	8	20

*Dimension L in accordance with DIN 558-92 (old: DIN 3202-F3)

Dimensions in mm