

Angle Seat Motor Valve 7110

DN 15 up to DN 65 PN 16 - PN 40

SCHUBERT & SALZER
**CONTROL
SYSTEMS**

Motor valve for on/off- and modulating operation for neutral and aggressive media.

- Compact design
- Unaffected by lightly contaminated media
- For operating temperatures from -30°C to +200°C
- Working pressure up to 40 bar
- Versatile actuator options



TÜVRheinland®
TA-Luft zertifiziert

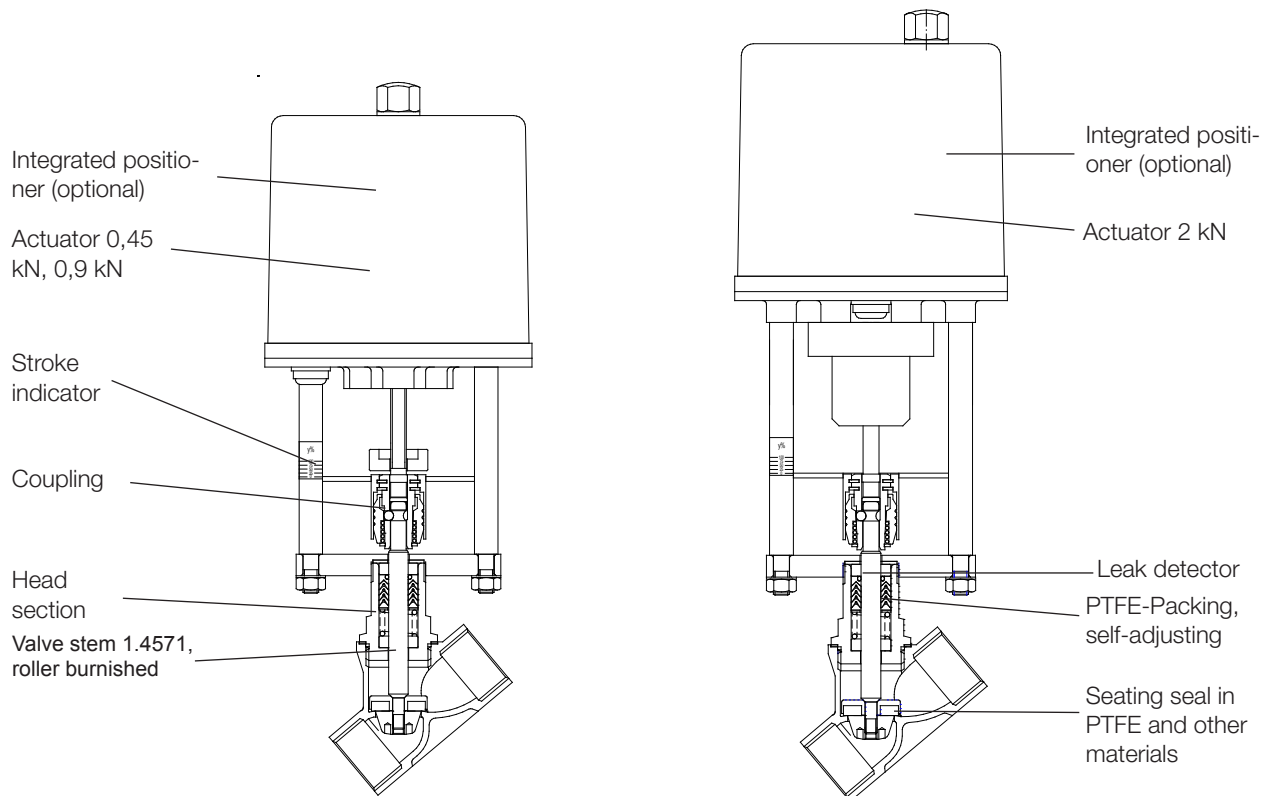
Technical Data Valve

Body Material	Brass	Bronze	Stainless steel
Nominal Sizes	DN 65	DN 15 to DN 50	DN 15 to DN 65
Connections:			
Pipe thread acc. ISO 228-1	2 1/2"	1/2" - 2"	1/2" - 2 1/2"
NPT thread	2 1/2"	1/2" - 2"	1/2" - 2 1/2"
Welding ends	-	-	1/2" - 2 1/2"
Nominal Pressure	PN 16	PN 16	PN 40
Adm. Operating Temperature	-30°C to 170°C	-30°C to 200°C	-30°C to 200°C
Ambient Temp.	-10°C to +60°C		
Viscosity	maximum 600 mm ² /s (600cSt)		
Vacuum	maximum 0.001bar abs		
Operating Pressure	maximum 12 bar		
Packing Underneath			

Technical Data Motor Actuator

Actuator Force	0.45 kN; 0.9 kN; 2.0 kN
Type of Duty acc. VDE 0530	S1 - 100 % ED
Net Connections	230 VAC, 50 Hz 24 VAC, 50 Hz
Power Consumption	0.45 kN: 2.6 W; 0.9 kN: 4.8 W; 2.0 kN: 6.6 W
Amb. Temperature	0 to 60 °C
Mounting Position	Motor not hanging downwards; (0.9kN any)
Protection Class (DIN 40050)	IP 43 (0.45 kN) optional: IP 65 (0.9 kN; 2 kN)

Angle Seat Motor Valve 7110



Admissible Differential Pressures

Nominal Size DN	Dp, max. bar				Actuator Force kN
	Brass On/off	Bronze On/off	Stainless Steel On/off	Stainless Steel Control	
15	-	16	40	16	0,9
20	-	16	23	16	0,9
20	-	16	40	16	2,0
25	-	13	13	13	0,9
25	-	16	35	16	2,0
32	-	7,5	7,5	7,5	0,9
32	-	16	21	16	2,0
40	-	4,5	4,5	4,5	0,9
40	-	13	13	13	2,0
50	-	3,0	3,0	3,0	0,9
50	-	9,0	9,0	9,0	2,0
65	1,5	-	1,5	-	0,9
65	4,5	-	4,5	-	2,0

Kvs-Values (Control Valve Version)

Flow Characteristic DN	linear						equal percentage					
	15	20	25	32	40	50	15	20	25	32	40	50
100 %	3,8	8,8	14	20	27	41	3	6	10	16	25	-
40 %	1,5	3,5	5,8	8	11	-	1,2	2,4	4	6	10	-
25 %	0,93	2,2	3,6	-	-	-	0,80	1,5	2,6	-	-	-
15%	-	-	-	-	-	-	0,46	-	-	-	-	-
10%	0,4	-	-	-	-	-	-	-	-	-	-	-
7,5%	-	-	-	-	-	-	0,23	-	-	-	-	-

Stroking Times

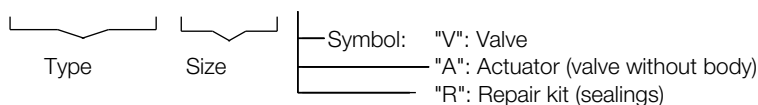
Actuator [kN]	0,45	0,9	2	Stroke [mm]
Stroking speed mm/min	4,2	10,5	13,2	
Nominal size	Stroking time (sec) for full stroke			
DN15	100	40	32	7
DN20	171	69	55	12
DN25	229	91	73	16
DN32	286	114	91	20
DN40	329	131	105	23
DN50	343	137	109	24
DN50	414	166	132	29
DN65	343	137	109	24
DN65	414	166	132	29

Additional Stroking Times

Actuator [kN]	0,9				2		Stroke [mm]
Stroking speed mm/min	13,5	8	5,1	2,9	15,2	7,5	
Nominal size	Stroking time (sec) for full stroke						
DN15	31	53	82	145	28	56	7
DN20	53	90	141	248	47	96	12
DN25	71	120	188	331	63	128	16
DN32	89	150	235	414	79	160	20
DN40	102	173	271	476	91	184	23
DN50	107	180	282	497	95	192	24
DN50	129	218	341	600	114	232	29
DN65	107	180	282	497	95	192	24
DN65	129	218	341	600	114	232	29

Ordering Number System

7	1	1	0	/			V										S
---	---	---	---	---	--	--	---	--	--	--	--	--	--	--	--	--	---



1 - 6 : Please quote all 6 sections
 7 - 12: Quote only if required

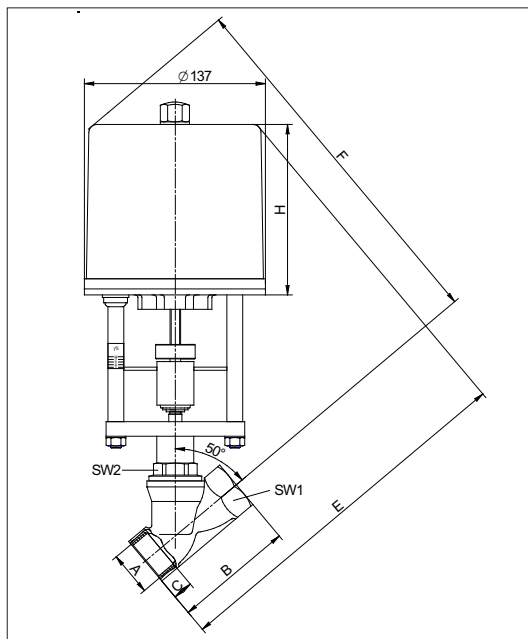
1. Design	2. Connection	3. Material	4. Seating seal	5. Function	6. Motor actuator	
1 Angle body	0 Pipe thread acc. ISO 228-1	0 Brass (only DN65)	0 PTFE (Teflon)	A On/off	4 0,9 kN - IP65	
2 ditto with flanges (Model 7131)	5 NPT-thread	1 Bronze (Rg 5)	1 FKM (Viton)	R Control (only stainless steel valve)	1 2,0 kN - IP65	
	6 Without thread	2 Stainless steel 1.4408	2 EPDM		7 0,45 kN - IP43	
	H Welding ends acc. ISO	1.4408	3 NBR			
7. Voltage	8. Stroking speed	9. Positioner	10. Limit switches	11. Feedback	12. Special versions	13. Control plug
- 230VAC (Standard)	- Standard	- without	- without	- without	S Quote for further special versions	- without
1 24 VAC		3 0 - 10 V	1 1 stroke dependent limit switch	1 Potentiometer 1000 Ohm		1 linear 100%
		M 0 - 20mA	2 2 stroke dependent limit switches			2 equal perc. 100%
		N 4 - 20mA				3 linear 40%
						4 equal perc. 40%
						5 linear 25%
						6 equal perc. 25%

Ordering Example:

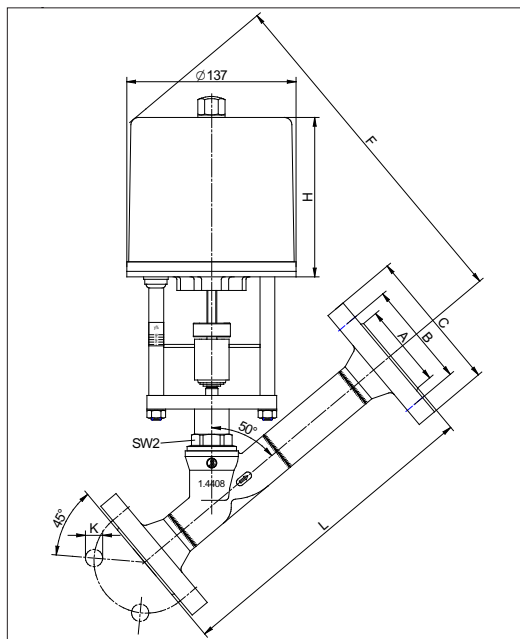
7110/025V1020R7 - - N1-S1

Angle seat motor valve, DN 25, pipe thread acc. DIN 2999, stainless steel body, seating seal PTFE, control function, actuator 0.45 kN, 230 VAC, positioner 4-20 mA, one limit switch, linear flow characteristic, Kvs-value 100 % (10).

Dimensions and Weights



Type 7110



Type 7131

DN	Actuator kN	A G / NPT	B	C	E*		F*		Stroke	SW1	SW2	Kvs- values	Weight kg***	Running times sec.
					without positioner	with positioner	without positioner	with positioner						
15	0,45	1/2"	65	12	231	257	229	260	9,5	25	30	3,5	2,4	136
20	0,45	3/4"	75	13	235	261	238	269	14	31	30	8	2,5	200
25	0,45	1"	90	15	244	270	244	275	19	39	30	15	2,7	271
15	0,9	1/2"	65	12	253	279	261	292	9,5	25	30	3,5	2,6	54
20	0,9	3/4"	75	13	263	289	264	295	14	31	30	8	2,8	80
25	0,9	1"	90	15	266	292	267	298	19	39	30	15	3,0	109
32	0,9	1 1/4"	110	17	295	321	271	302	21	48	30	24	3,4	120
40	0,9	1 1/2"	120	19	298	324	281	312	24	55	30	35	3,7	137
50	0,9	2"	150	21	312	338	295	326	29(24)	68	32	55	4,3	166/137
65	0,9	2 1/2"	180	25	331	357	313	344	29(24)	85	41	93	6,1	166/137
20	2,0	3/4"	75	13	281	307	285	316	14	31	30	8	3,1	62
25	2,0	1"	90	15	286	312	286	317	19	39	30	15	3,3	84
32	2,0	1 1/4"	110	17	310	336	300	331	21	48	30	24	3,7	93
40	2,0	1 1/2"	120	19	319	345	304	335	24	55	30	35	4,0	107
50	2,0	2"	150	21	334	360	309	340	29(24)	68	32	55	4,6	129/107
65	2,0	2 1/2"	180	25	347	373	332	363	29(24)	85	41	93	6,4	129/107

Different Dimensions and Weights 7131

DN	Actuator	A	B	C	E*		F*		K	L**	N	Weight kg***
					w/o Positioner	with Positioner	w/o Positioner	with Positioner				
15	0,45	45	65	95	273	299	229	260	14	230	4	4,1
20	0,45	58	75	105	280	306	238	269	14	260	4	4,7
25	0,45	68	85	115	284,5	310,5	244	275	14	260	4	5,4
15	0,9	45	65	95	295	321	261	292	14	230	4	4,3
20	0,9	58	75	105	308	334	264	295	14	260	4	5
25	0,9	68	85	115	307	333	267	298	14	260	4	5,7
32	0,9	78	100	140	337	363	271	302	18	300	4	7,2
40	0,9	88	110	150	342	368	281	312	18	300	4	8,3
50	0,9	102	125	165	359	385	295	326	18	350	4	10,1
20	2,0	58	75	105	326	352	285	316	14	260	4	5,3
25	2,0	68	85	115	327	353	286	317	14	260	4	6
32	2,0	78	100	140	352	378	300	331	18	300	4	7,5
40	2,0	88	110	150	363	389	304	335	18	300	4	8,6
50	2,0	102	125	165	381	407	309	340	18	350	4	10,4

* Considering the dismounting length H dimensions E increase by 64 mm (90 mm) and F by 77 mm (107 mm)

** Body length acc. DIN 3202, T1 R3

*** Weight with positioner: + 0.5 kg

() Values with positioner

Text and pictures are not binding. We reserve the right, to alter the equipment.