

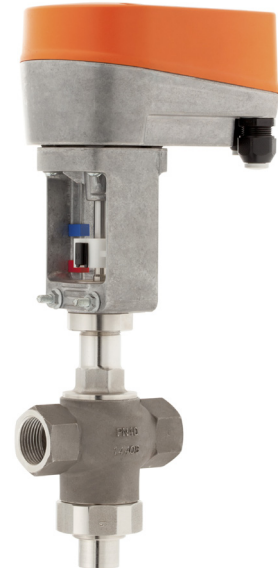
3/2-Way Motor Control Valve 7282

DN 15 up to DN 32



3/2-Way Motor Valve in stainless steel for distributing function, mixing function and modulating operation for neutral and aggressive media.

- Compact design
- Self calibration
- Unaffected by lightly contaminated media
- For operating temperatures form -30°C up to +200°C
- Versatile actuator options
- Actuators with control function also available with spring return



Technical Information Valve

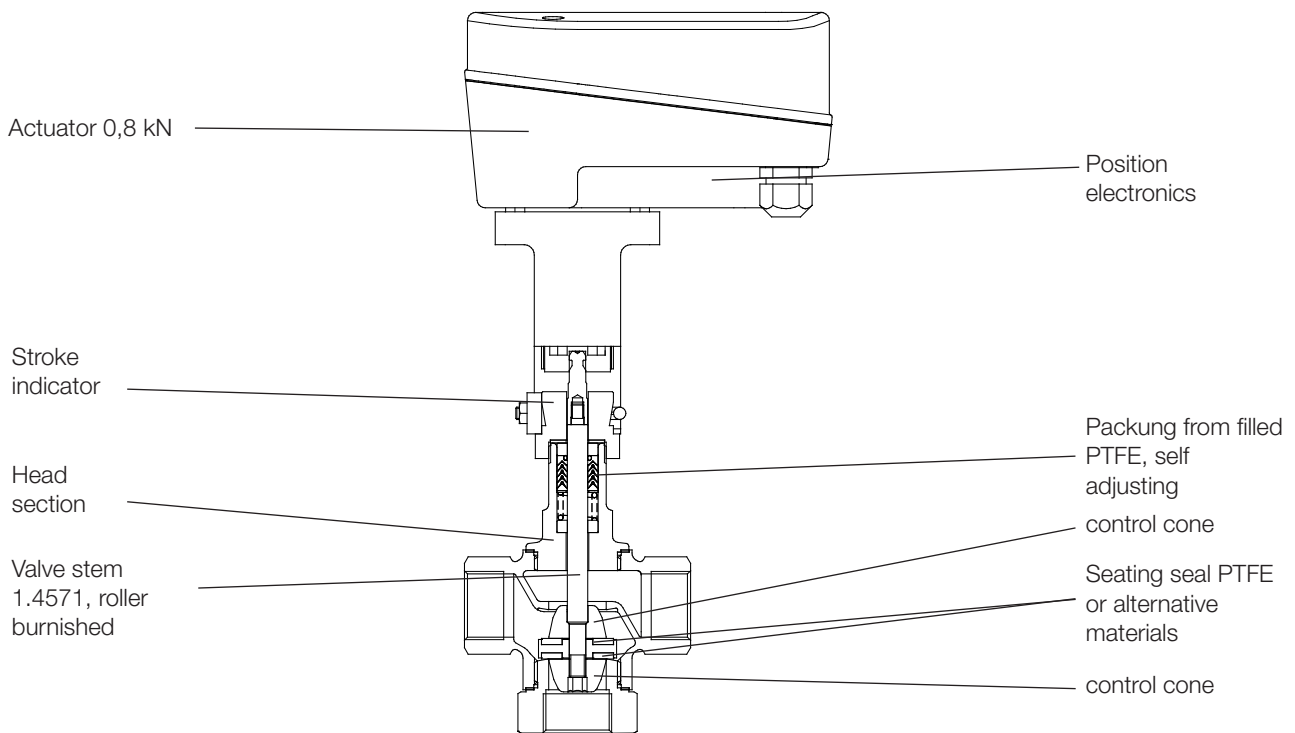
Body materials	Stainless steel 1.4408
Nominal sizes	DN 15 up to DN 32
Connections	Pipe thread acc. ISO 228-1: Rp 1/2" - 1 1/4" NPT thread: 1/2" - 1 1/4"
Nominal pressure	PN40
Fluid temperature	-30°C up to + 200°C



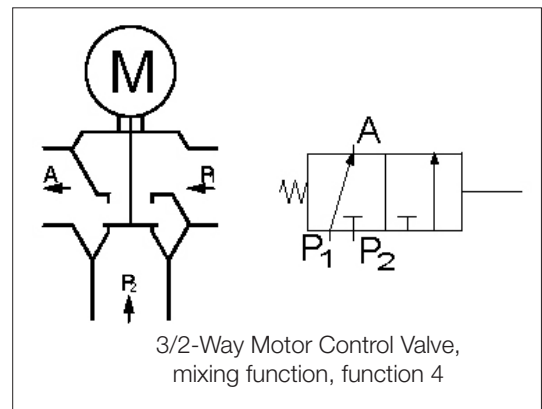
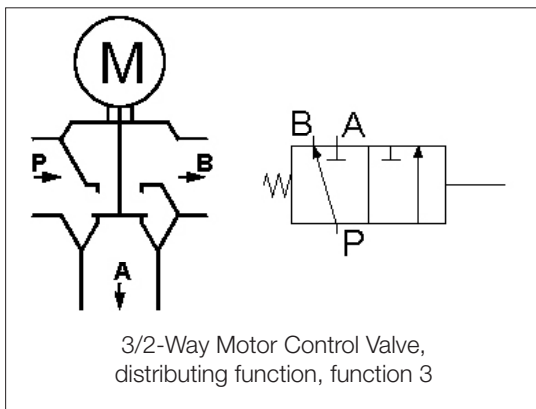
Technical Information Motor Actuator

Type of motor	BM24C	BM24C/I	BM24C/IOS2	BM250C/IO2	BM24	BM115	BM230
Function	Control	Control	Control	Control	On/Off	On/Off	On/Off
Nominal voltage	24 V AC/DC	24 V AC/DC	20-30V AC 20-45V DC	85-250V AC 120-250V DC	24 V AC/DC	115V AC	230 V AC
Set point	2 - 10 V	4 - 20 mA	4 - 20 mA	4 - 20 mA	3-step	3-step	3-step
Load	100 kOhm	500 Ohm	500 Ohm	500 Ohm	-	-	-
Position feedback	2 - 10 V	2 - 10 V	4 - 20 mA	4 - 20 mA	-	-	-
external load	-	-	< 700 Ohm	< 700 Ohm	-	-	-
limit switches	-	-	2 x	2 x	-	-	-
max. switching load	-	-	24V AC/DC 70mA	24V AC/DC 70mA	-	-	-
Power consumption	3 W	3 W	3 W	4 W	3 W	6 W	6 W
Stroking time (standard)	3,50 s/mm	3,50 s/mm	3,50 s/mm	3,50 s/mm	7,5 s/mm	7,5 s/mm	7,5 s/mm
Thrust	800 N						
Class of protection	IP 65						
Ambient temperature	-10°C up to +60°C						

3/2-Way Motor Control Valve 7282



Functions



Kvs-Values

DN	P-B	P-A	P1-A	P2-A
15	5,5	7,5	5,5	7,5
20	6,5	10	6,5	10
25	10	14	10	14
32	15	23	15	23

Admissible Differential Pressures

	Differential pressure max [bar]			
Nominal size	DN15	DN20	DN25	DN32
	15	15	8,5	4,8

3/2-Way Motor Control Valve 7282



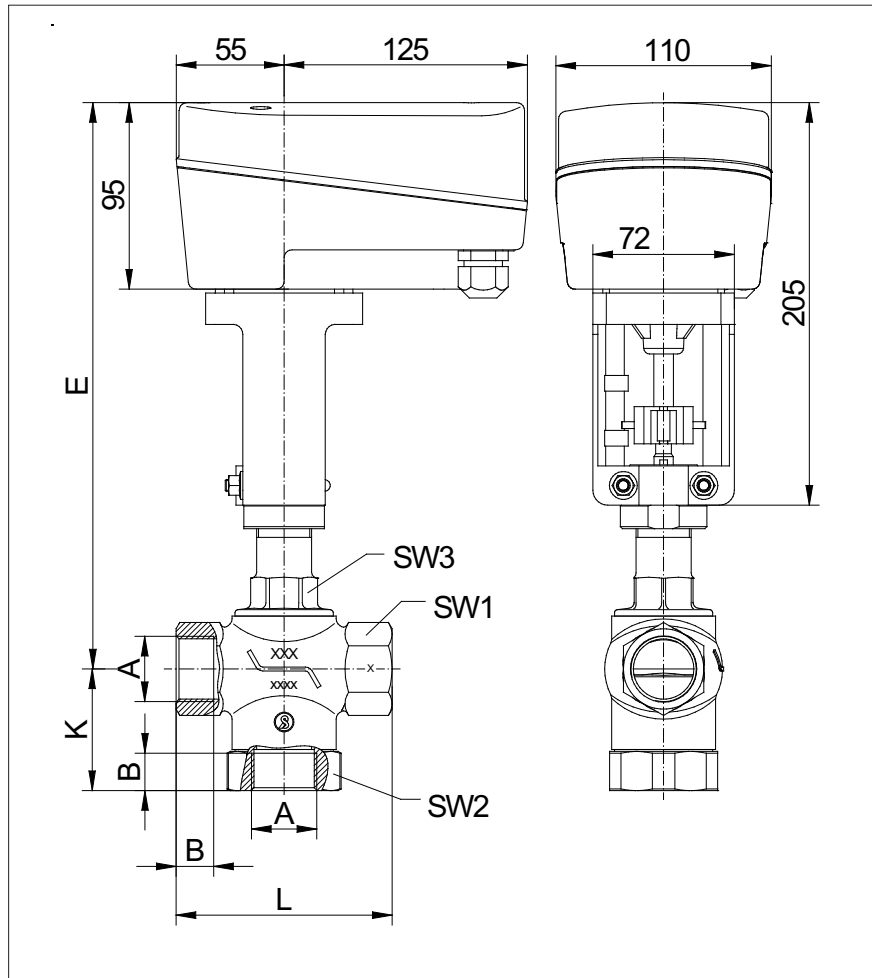
Ordering Number System

		Article number										
		7282/			K						S	
Nominal size:												
DN 15		015										
DN 20		020										
DN 25		025										
DN 32		032										
Item:												
Valve			V									
Valve without actuator			U									
Actuator			A									
Body design:												
3/2-Way Motor Valve, distributing function					3							
3/2-Way Motor Valve, mixing function					4							
Connection:												
Withworth-thread						0						
NPT thread						5						
Body material:												
Stainless steel 1.4408							2					
Seating seal:												
PTFE								0				
Actuator:												
Control actuator BM250C/IOS2 85-250V AC/ 120-250V DC- control electr. 4-20mA - feedb. 4-20mA -2 limit switch.									0			
Control actuator BM24C - 24V AC/DC - control electronics 2-10V - feedback 2-10V									1			
Control actuator BM24C/I - 24V AC/DC - control electronics 4-20mA - feedback 2-10V									2			
On-Off actuator BM24 - 24V AC/DC									6			
On-Off actuator BM230 - 230V AC									7			
On-Off actuator BM115 - 115V AC									8			
Control actuator BM24C/IOS2 20-30V AC/ 20-45V DC- control electr. 4-20mA - feedback 4-20mA -2 limit switches									9			
Control plug:												
linear 100%											-	
Safety position:												
without safety position												-
Spindle travelling into valve, set point time < 1.5 mm/sec												0
Spindle travelling out of valve, set point time < 1.5 mm/sec												1
Stroking times:												
Standard (3,5s/mm for control actuators - 7,5 s/mm for on-off actuators)												-
4,5 s/mm (on-off actuators only)												L
1,75 s/mm (control actuators only), with safety spring return 3,0 s/mm												1
7,0 s/mm (control actuators only)												2
14,0 s/mm (control actuators only)												3

Ordering example: 7282/025VK40102
 3/2-Way Motor Control Valve Type 7282, DN 25, pipe thread acc. ISO228-1, stainless steel body 1.4408, seating seal PTFE, control actuator BM24C/I, 0,8 kN, 24V AC/DC, control electronics 4-20 mA, position feedback 4-20 mA, control cone lin. 100%.

3/2-Way Motor Control Valve 7282

Dimensions and Weights



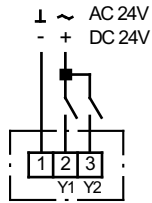
DN	A G / NPT	B G	B NPT	E	Stroke	K	L	SW1	SW2	SW3	Weight kg
15	1/2"	15	14,5	277	14	62	90	26	41	30	3,1
20	3/4"	16,3	15	277	14	62	90	32	41	30	3,1
25	1"	19,1	18	289	14	63	110	41	55	30	3,5
32	1 1/4"	21,4	18,4	293	15	74	130	48	65	30	4,1

Dimensions in mm

On/Off-Actuators

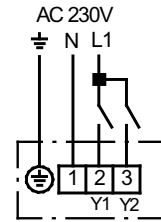
Actuator: BM24

24V AC/DC
3-step drive



Actuator: BM230, BM115

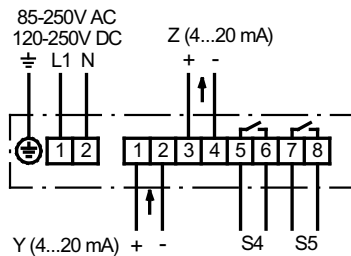
230V 50/60 Hz
115V 50/60 Hz
3-step drive



Control Actuators

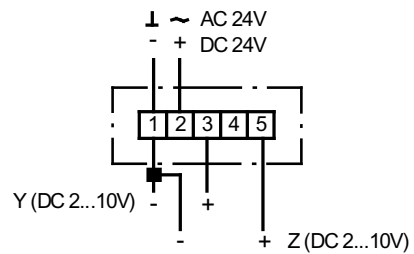
Actuator: BM250C/IOS2, BM230C/IOS2-R

85-250V AC 120-250V DC
input signal 4-20mA
feedback signal 4-20mA
2 limit switches



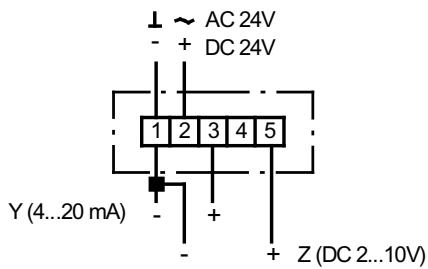
Actuator: BM24C, BM24C-R

24V AC/DC
input signal 2-10V
feedback signal 2-10V



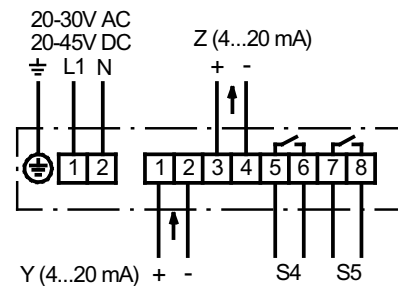
Actuator: BM24C/I, BM24C/I-R

24V AC/DC
input signal 4-20mA
feedback signal 2-10V



Actuator: BM24C/IOS2

20-30V AC 20-45V DC
input signal 4-20mA
feedback signal 4-20mA
2 limit switches



BM.....-R: version with safety position
Y: signal, Z: feedback signal